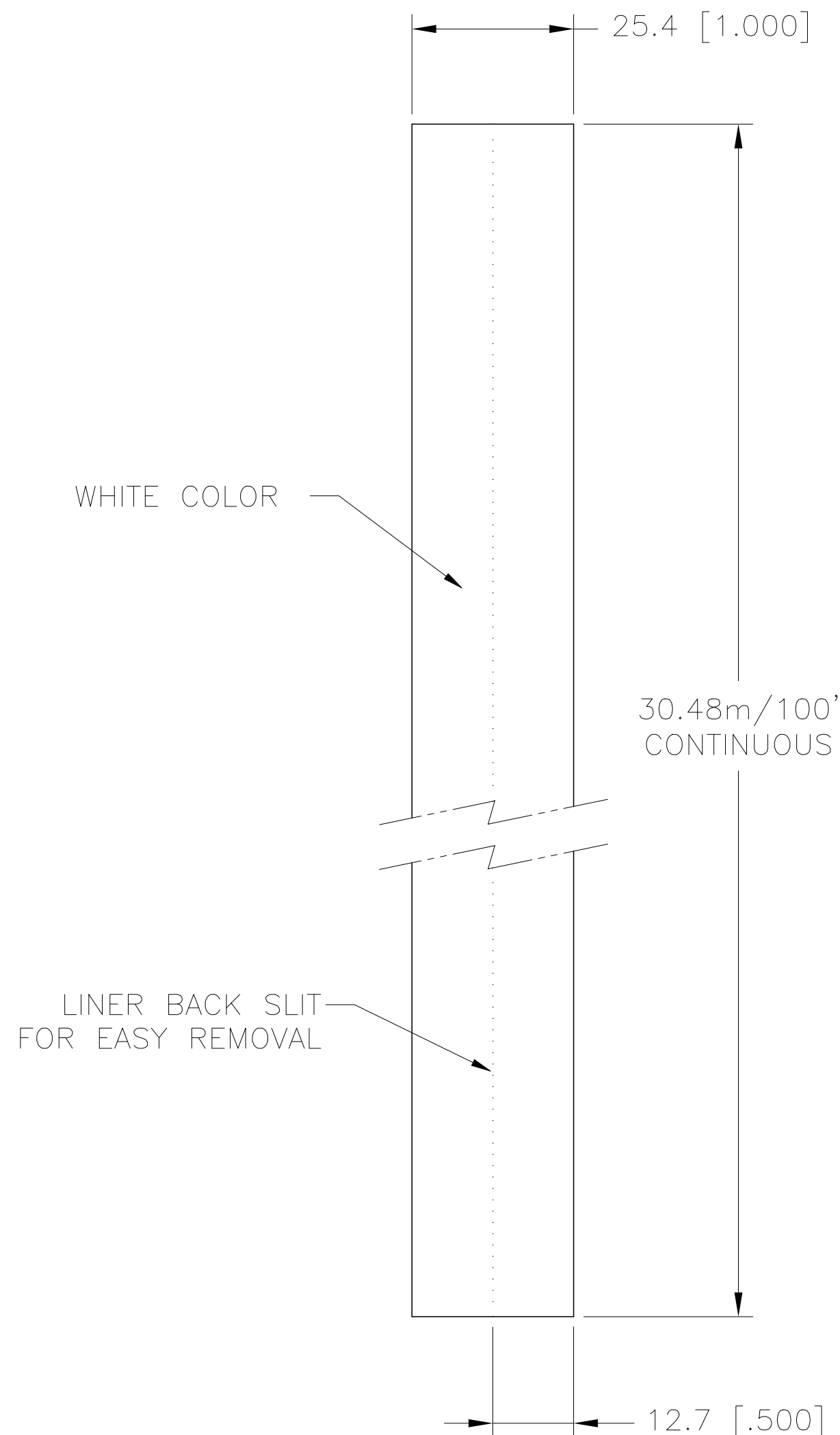
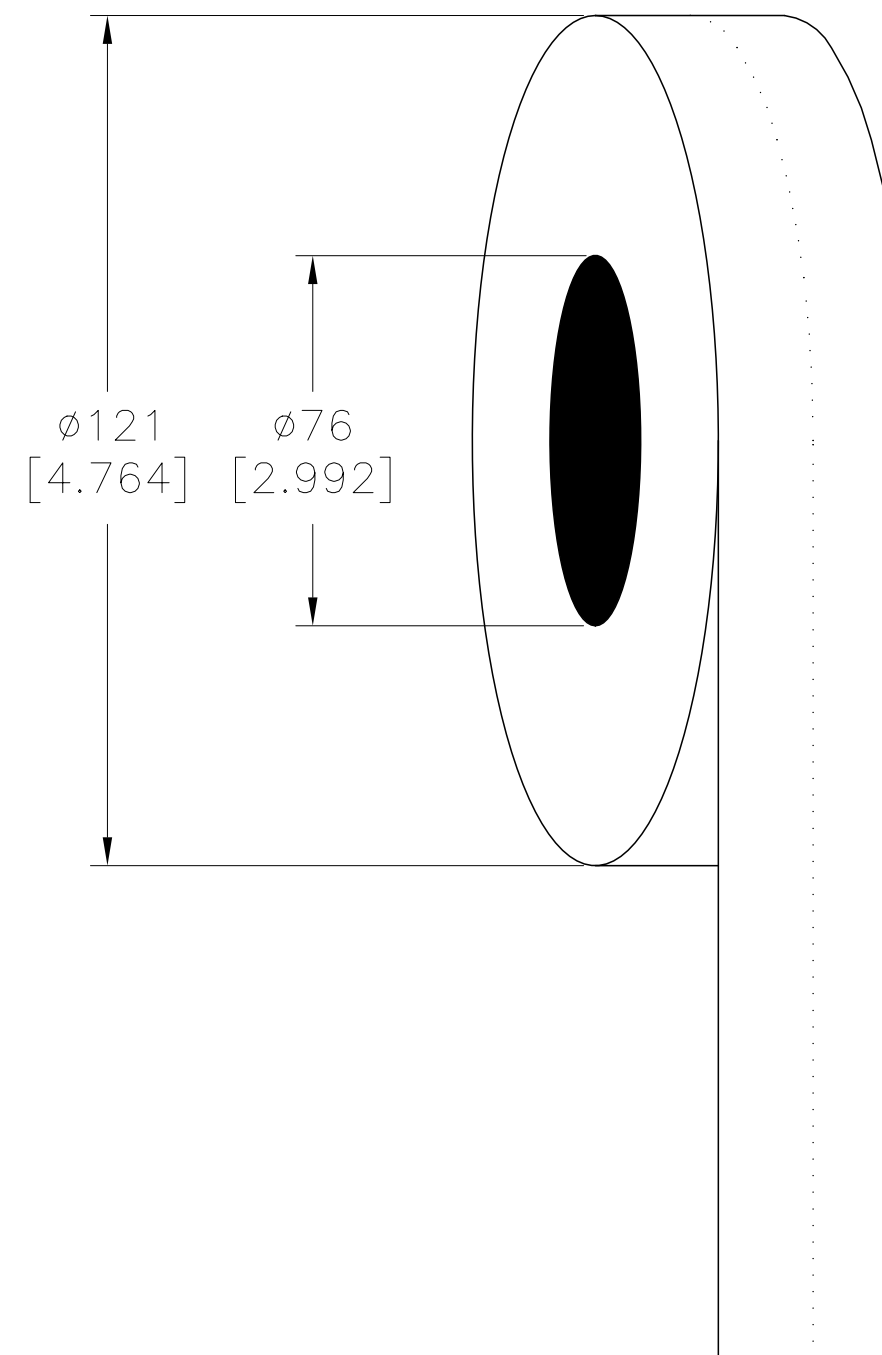


REVISIONS					
P	LTR	DESCRIPTION	DATE	DWN	APVD
	A	NEW DRAWING	08MAY2020	GK	DB

LABEL AND LINER DESIGN



PRESENTATION



All dimensions in mm [Inch]

TE PN: 160892-000

OUTSIDE WOUND (BACK SLIT CENTRED)
LABEL ACROSS: 1
PER ROLL QTY: 30.48m / 100 feet

MATERIAL	POLYVINYL FLUORIDE (TEDLAR®)
ADHESIVE TYPE	PERMANENT ACRYLIC
LINEAR	BROWN KRAFT

TOLERANCES mm [INCH]	
LABEL HEIGHT:	±0.3 [.012]
LABEL WIDTH:	±0.3 [.012]
WEB WIDTH:	±0.8 [.031]
VERTICAL REPEAT:	±0.8 [.031]*
HORIZONTAL REPEAT:	±0.8 [.031]*
PRINT POSITIONING:	±0.8 [.031]*
LEFT MARGIN:	±0.4 [.016]
QUANTITY:	-0 % +2 %
*NON ACCUMULATING	

THIS DRAWING IS A CONTROLLED DOCUMENT.	
DIMENSIONS: mm [INCHES]	TOLERANCES UNLESS OTHERWISE SPECIFIED:
	0 PLC ±
	1 PLC ±
	2 PLC ±
	3 PLC ±
	4 PLC ±
	ANGLES ±
MATERIAL SEE TABLE	FINISH GLOSS

DWN GOPALAKRISHNA HV 12MAY2020	CHK D.BURGAT 12MAY2020	APVD D.BURGAT 12MAY2020	NAME TEDLAR® LABEL - WHITE - CONTINUOUS 25.4mm x 30.4m (1inch x 100ft)
PRODUCT SPEC TTDS-005		APPLICATION SPEC -	RESTRICTED TO -
WEIGHT 106g	SIZE A2	CAGE CODE FB1U7	DRAWING NO C=TTVF100WE-100
CUSTOMER DRAWING	SCALE NTS	SHEET 1 of 1	REV A