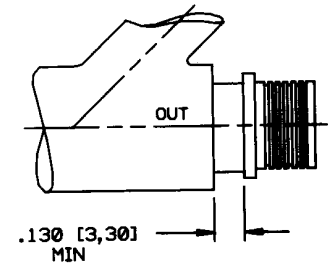
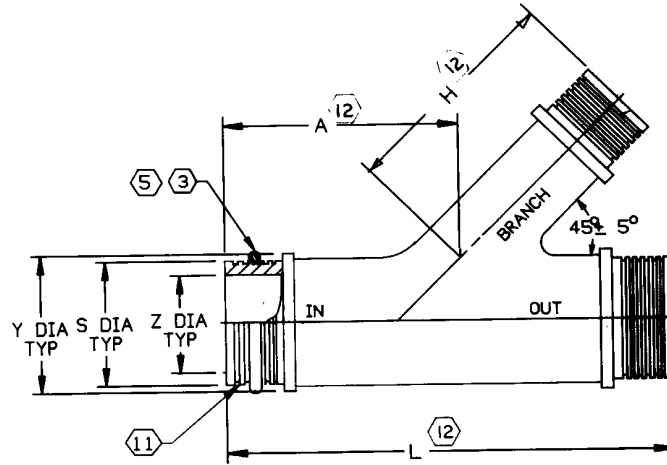


NOTES

1. ALL DIMENSIONS ARE IN INCHES (MILLIMETERS)
2. THIS PRODUCT IS DESIGNED TO PROVIDE CONTINUOUS SHIELDING AT THE BRANCH OF AN ELECTRICAL HARNESS AND TO ACCEPT A HEAT SHRINKABLE LIPPED BOOT.
3. SEE DRAWING 925078 FOR DETAIL ON TINEL-LOCK RING, THE TINEL RING IS AVAILABLE IN TWO TYPES. RINGS DESIGNED TO BE HEATED ELECTRICALLY HAVE A THIN DIELECTRIC LINING ON THE INSIDE DIAMETER. RINGS TO BE INSTALLED WITH A HOT AIR GUN HAVE NO LINING. ALL RINGS ARE MARKED WITH THERMOCHROMIC PAINT WHICH CHANGES COLOR WHEN INSTALLATION TEMPERATURE IS REACHED.
4. TEMPERATURE RANGE FOR ALUMINUM ALLOY: -65° C TO +150° C.
5. RINGS SHALL BEAR NO MARKING.
6. INTERNAL EDGES SHALL BE ROUNDED.
7. TRANSITION MATERIAL IS ALUMINUM ALLOY PER QQ-A-225.
8. TRANSITION SHALL BE MARKED TTR EVEN IF NO RINGS ARE ORDERED.
9. TRANSITION TO BE PERMANENTLY MARKED WITH ASSEMBLY (TTR) PN (LESS BRAID DESIGNATOR) AND CODE IDENT. NO. (EG: TTRA14-10-10 C 06090). ALL MARKINGS SHALL BE PERFORMED IN ACCORDANCE WITH MIL-STD-130.
10. CONSULT FACTORY FOR OPTIONAL MATERIALS, MODIFICATIONS AND BRAID DESIGNATORS.
11. INSIDE DIAMETER OF "IN" LEG MUST ALWAYS BE AS LARGE OR LARGER THAN INSIDE DIAMETERS OF OTHER LEGS. WHEN THREE ENTRY SIZES ARE EQUAL, CONTACT PRODUCT MANAGEMENT FOR PRODUCT INFORMATION.
12. "A", "L" AND "H" ARE BASED ON BRANCH LEG ENTRY SIZE.

REVISIONS				
ZONE	LTR	DESCRIPTION	DATE	APPROVED
	A	PER ECO AP-162	4-30-87	Q. Bui
	B	ECO AP-165	6-2-87	Q. Bui
	C	ECO AP-170	8-10-87	Q. Bui



IF "OUT" LEG ENTRY SIZE SMALLER THAN "IN" LEG ENTRY SIZE

ENTRY SIZE	Z DIA +.010 -.020 [+0,25] [-0,51]	S DIA	Y DIA MIN	A +.05 -0 [+1,3] [-0]	L +.10 -0 [+2,5] [-0]	H +.20 -0 [+5,0] [-0]
04	.250 [6,35]	.376 [9,56] .370 [9,39]	.420 [10,67]	.984 [25,00]	2.00 [50,8]	1.339 [34,00]
05	.312 [7,92]	.438 [11,13] .432 [10,97]	.482 [12,25]	.984 [25,00]	2.00 [50,8]	1.339 [34,00]
06	.375 [9,53]	.501 [12,73] .495 [12,57]	.545 [13,84]	1.043 [26,50]	2.25 [57,2]	1.417 [36,00]
07	.437 [11,10]	.563 [14,31] .556 [14,12]	.607 [15,42]	1.043 [26,50]	2.25 [57,2]	1.417 [36,00]
08	.500 [12,70]	.626 [15,91] .619 [15,72]	.670 [17,02]	1.161 [29,50]	2.50 [63,5]	1.575 [40,00]
10	.625 [15,88]	.752 [19,11] .742 [18,84]	.795 [20,19]	1.161 [29,50]	2.50 [63,5]	1.575 [40,00]
12	.750 [19,05]	.877 [22,28] .867 [22,02]	.920 [23,37]	1.260 [32,00]	2.75 [69,9]	1.654 [42,00]
14	.875 [22,23]	1.002 [25,46] .991 [25,17]	1.045 [26,54]	1.260 [32,00]	2.75 [69,9]	1.654 [42,00]
16	1.000 [25,40]	1.127 [28,63] 1.116 [28,34]	1.170 [29,72]	1.535 [39,00]	3.25 [82,6]	1.850 [47,00]
18	1.125 [28,58]	1.252 [31,81] 1.241 [31,52]	1.295 [32,89]	1.535 [39,00]	3.25 [82,6]	1.850 [47,00]
20	1.250 [31,75]	1.377 [34,98] 1.366 [34,69]	1.420 [36,07]	1.654 [42,00]	3.50 [88,9]	1.969 [50,00]

ORDERING INFORMATION

PRODUCT DESIGNATOR TTR A 14-10-10 C A I M
 TTR : TRANSITION AND RINGS
 TT : TRANSITION ONLY (8)
 TRANSITION FAMILY
 A: SINGLE 45° BRANCH
 ENTRY SIZE: "IN" LEG
 ENTRY SIZE: "OUT" LEG
 ENTRY SIZE: "BRANCH" LEG
 FINISH (SEE S-CH00-0157-002)
 BRAID
 A : SINGLE LAYER 36 AWG
 B : SINGLE LAYER 30 AWG OR
 DOUBLE LAYER 36 AWG
 RING WITH INSULATING LINING
 (OMIT IF NOT REQUIRED)
 MAULFLEX CABLE MODIFICATION
 SEE CH00-0157-005
 (OMIT IF NOT REQUIRED)

SPECIFICATION CONTROL DRAWING

DRAWN	Q.BUI	3-13-87	Raychem <small>RAYCHEM CORPORATION 300 CONSTITUTION DRIVE HUNTSVILLE, CALIFORNIA 95886</small>
CHECKED	S. BUI	4-20-87	
APPROVED	S. BUI	4-24-87	
APPROVED	S. BUI	4-27-87	
TITLE			TINEL-LOCK TRANSITION
SIZE	FORM NO.	DWG NO.	REV.
C	06090	TTRA	C
DO NOT SCALE THIS DRAWING			SHEET 1 OF 1

If this document is printed it becomes uncontrolled.
 Check with the web for latest revision.