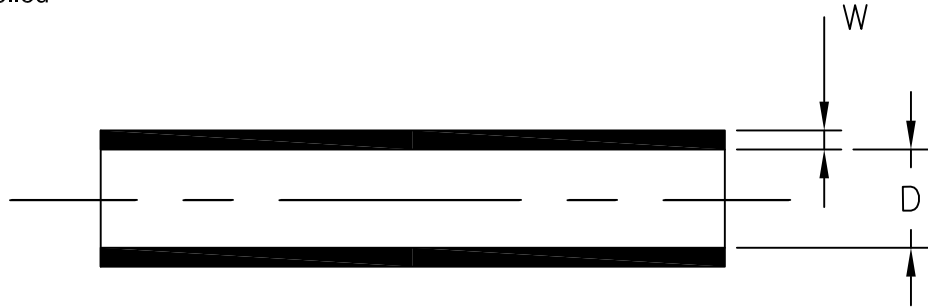


LOC	DIST	REVISIONS				
P	LTR	DESCRIPTION	DATE	DWN	APVD	
	A	INITIAL REVISION	22SEP2015	HD	CD	

a) Part as supplied



PRODUCT DIMENSIONS & NOTES

DIMENSIONS (in millimetres)

D DIA.	W
±0.20	±0.18
a	a
2.90	0.75

NOTES:



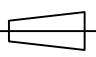
MATERIAL: Flexible hot-melt adhesive.
COLOUR: Amber.

RELEASED FOR PUBLICATION

ALL RIGHTS RESERVED.

THIS DRAWING IS UNPUBLISHED.

© COPYRIGHT 2015 TE Connectivity

DIMENSIONS: mm	DWN	HD	22SEP2015	MATERIAL	-	FINISH	-		
	CHK	CD	22SEP2015	 TE Connectivity					
TOLERANCES UNLESS OTHERWISE SPECIFIED:	APVD	CD	22SEP2015					NAME	TSAS-UNSLIT-NR502-X HOT MELT ADHESIVE
	PRODUCT SPEC	N/A			SIZE	A4	CAGE CODE	-	
	APPLICATION SPEC	N/A			DRAWING NO	© TSAS-UNSLT-502-X		RESTRICTED TO	-
0 PLC ± - 1 PLC ± - 2 PLC ± - 3 PLC ± - 4 PLC ± - ANGLES ± -	WEIGHT	8.26 g/m		CUSTOMER DRAWING				SCALE	NTS
 				SHEET	1 of 1		REV	A	