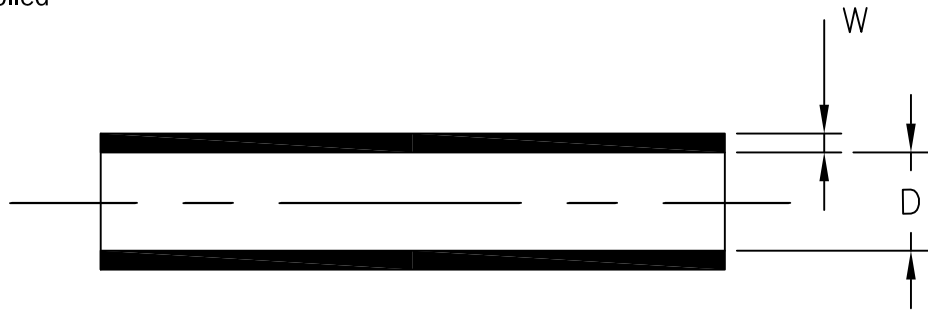
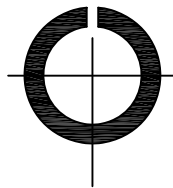


LOC	DIST	REVISIONS					
—	—	P	LTR	DESCRIPTION	DATE	DWN	APVD
			A	INITIAL REVISION	28APR2014	HD	CD

a) Part as supplied



Product slit along entire length



PRODUCT DIMENSIONS & NOTES

DIMENSIONS (in millimetres)

D DIA.	W
±0.40	±0.10
a	a
9.50	1.00

NOTES:

Dimensions determined before product is slit.

MATERIAL: Flexible hot-melt adhesive.


COLOUR: Amber.

RELEASED FOR PUBLICATION

ALL RIGHTS RESERVED.

THIS DRAWING IS UNPUBLISHED.

© COPYRIGHT 2014 TE Connectivity

DIMENSIONS: mm	DWN	25APR2014	MATERIAL	—	FINISH	—					
	HD										
TOLERANCES UNLESS OTHERWISE SPECIFIED:	CHK	28APR2014	 TE Connectivity								
	CD										
0 PLC ± - 1 PLC ± - 2 PLC ± - 3 PLC ± - 4 PLC ± - ANGLES ± -	APVD	28APR2014	NAME TSAS-NR504-X HOT MELT ADHESIVE								
	CD										
	PRODUCT SPEC	N/A	SIZE	CAGE CODE	DRAWING NO	RESTRICTED TO					
APPLICATION SPEC	—	A4	—	© TSAS-NR504-X	—						
WEIGHT	31.67 g/m	CUSTOMER DRAWING				SCALE	NTS	SHEET	1 of 1	REV	A