

Technical Data

Construction

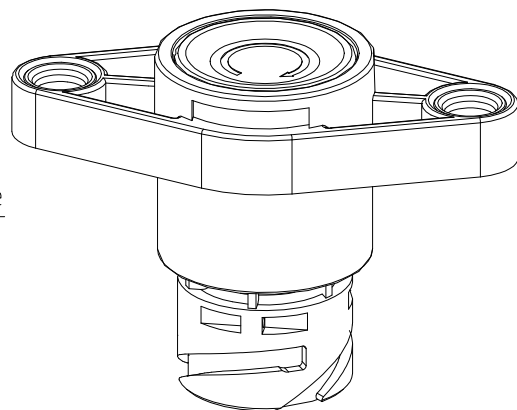
Socket material.....PA black
 Button materialPMMA green illuminated
 Protection interior..... IP6K9K IEC 60529
 connector..... IP00 IEC 60529
 Max. torque (M6) max. 7 Nm
 Weight 32g

Mechanical Data

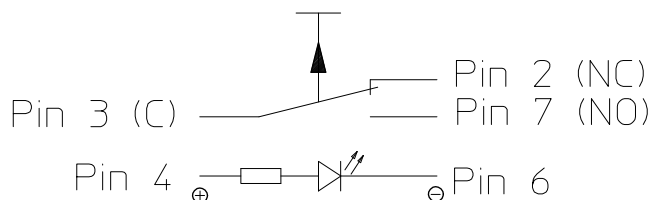
Pre travel1,5±0,5mm
 Total travel2,5±0,5mm
 Operating force30-45N
 Current carrying parts.....Cu-alloy
 Contact materialAg-alloy
 Mechanical life.....100 000 cycles
 Temperature Range-40°C to +90°C

Electrical Data

Voltage Range.....9VDC to 32VDC
 Electrical load.....10mA to 5A



Circuit Diagram



For this drawing we reserve the copyright in accordance with DIN ISO 16016

| | | |
|--------|------------|-------|
| | Date | Name |
| Create | 07.03.2016 | Walza |
| Edited | 13.02.2019 | Hamar |
| Check | 13.02.2019 | Baumg |

| | |
|---------------------------------------|--------------|
| mm ↔ | Scale 1:1 |
| General Tolerances DIN ISO 2768 cL | |



| | |
|-------------|-------------|
| Drawing No: | TS-111-GN32 |
| NSN: | |