

THIS DRAWING IS UNPUBLISHED. RELEASED FOR PUBLICATION 20
 © COPYRIGHT 20 ALL RIGHTS RESERVED.

| REVISIONS | | | | |
|-----------|-----|-----------------|-----------|---------|
| P | LTR | DESCRIPTION | DATE | APVD |
| A | | INITIAL RELEASE | 05JUL2016 | N.P X.X |
| A1 | | ECR-19-006232 | 18APR2019 | B.P C.W |
| B | | ECR-20-013880 | 17NOV2021 | B.P C.W |

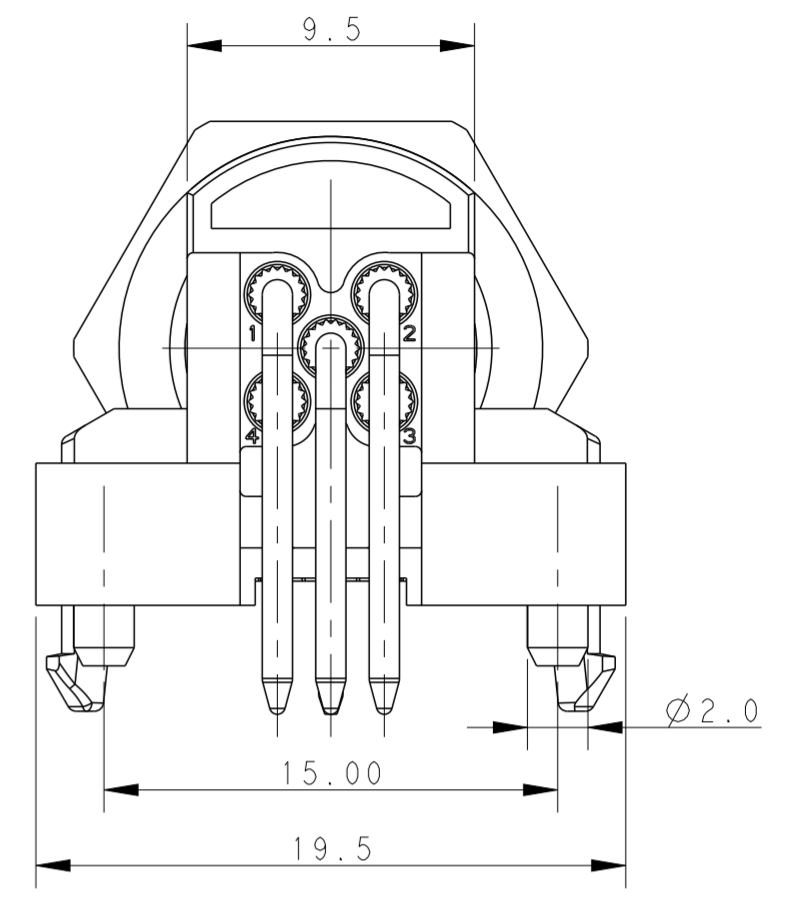
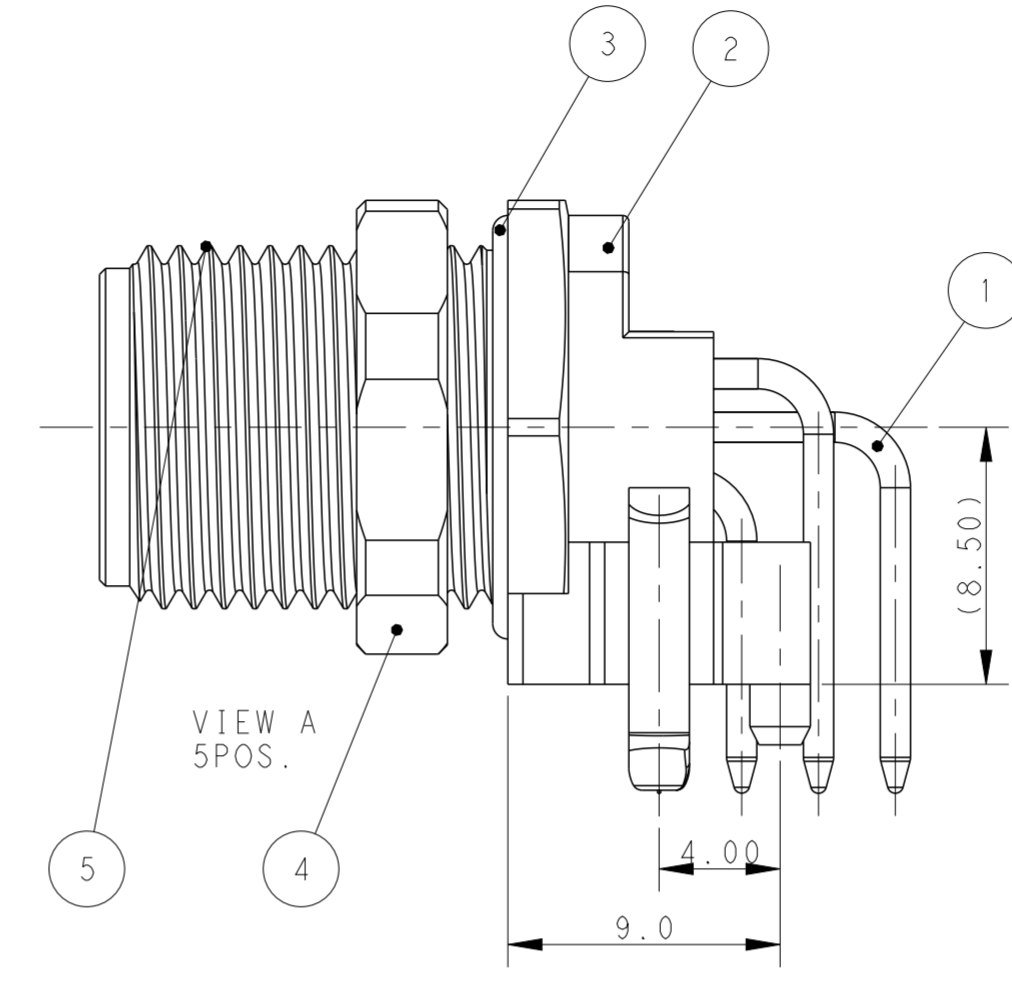
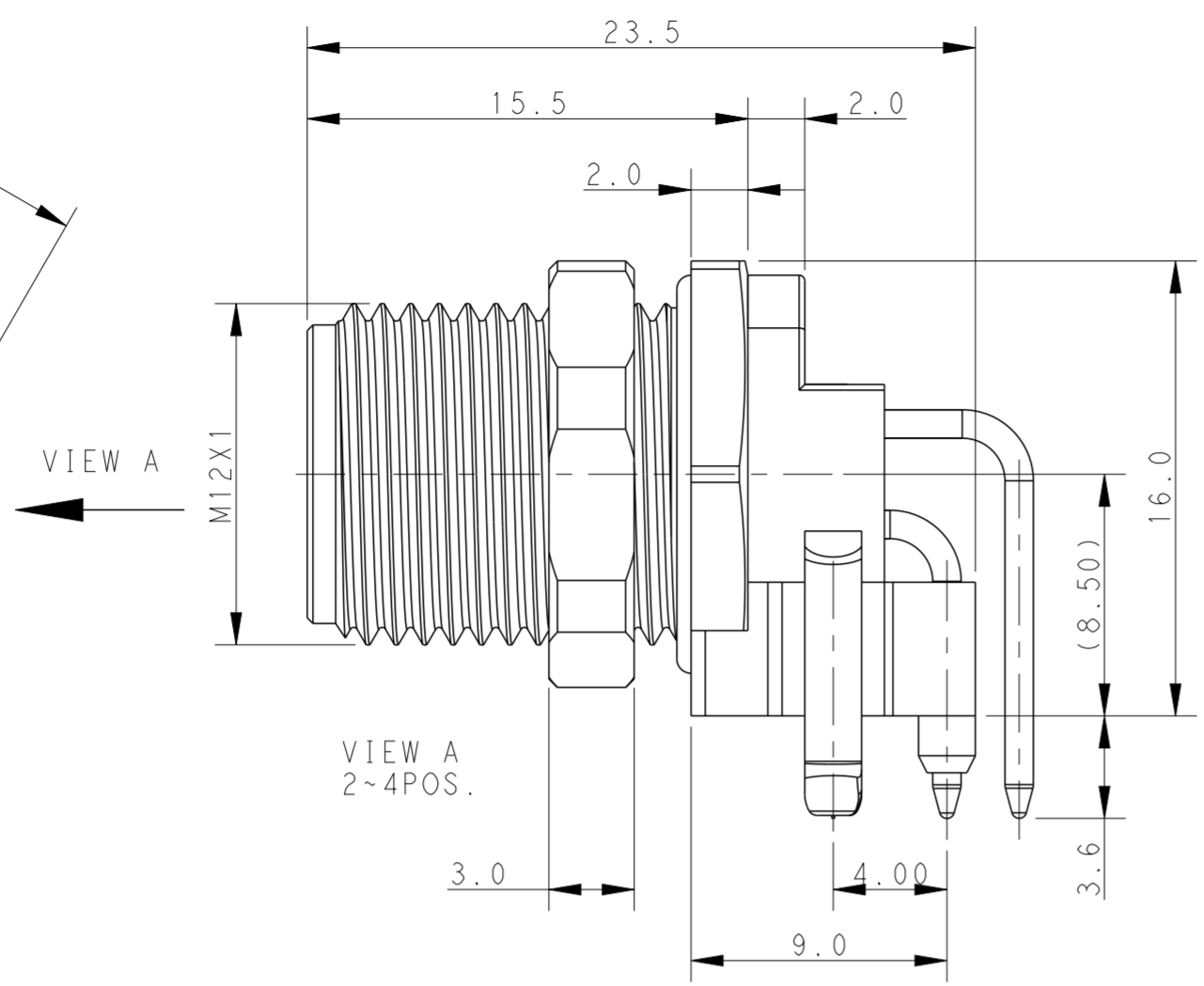
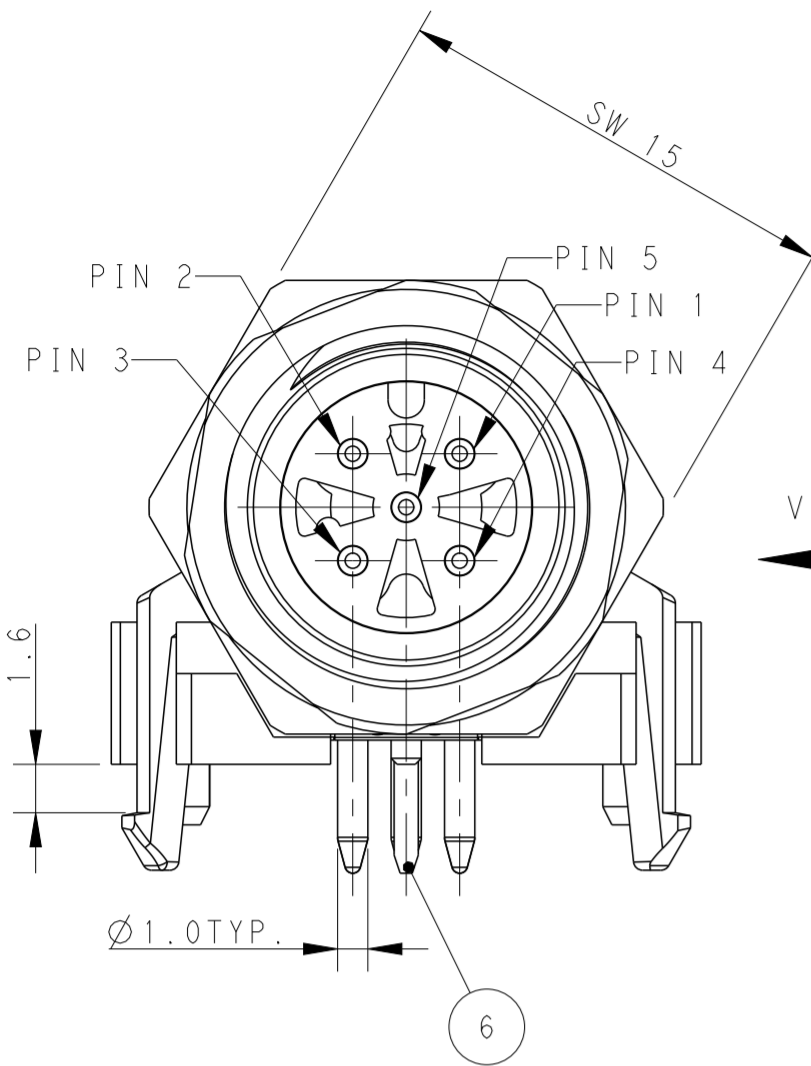
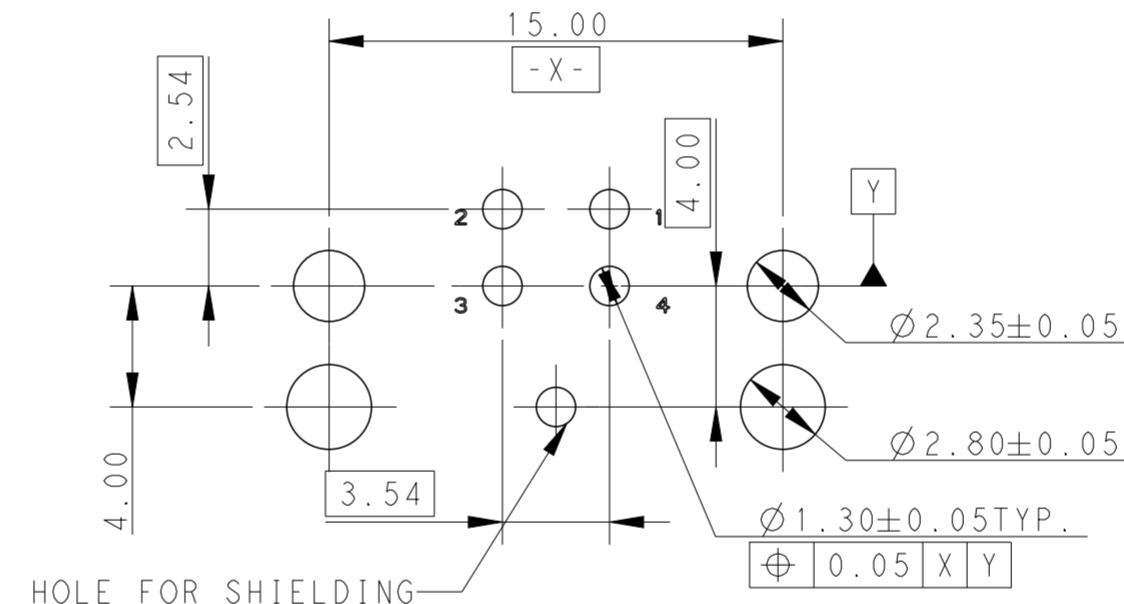
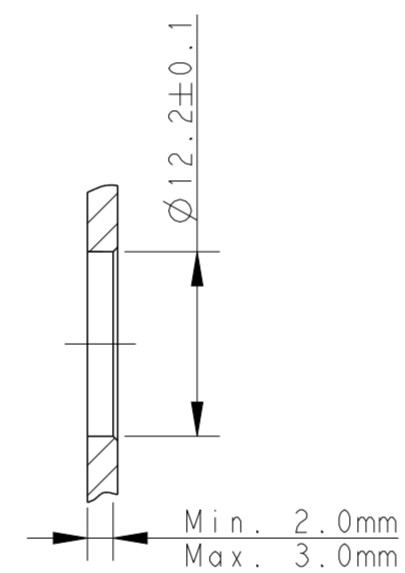
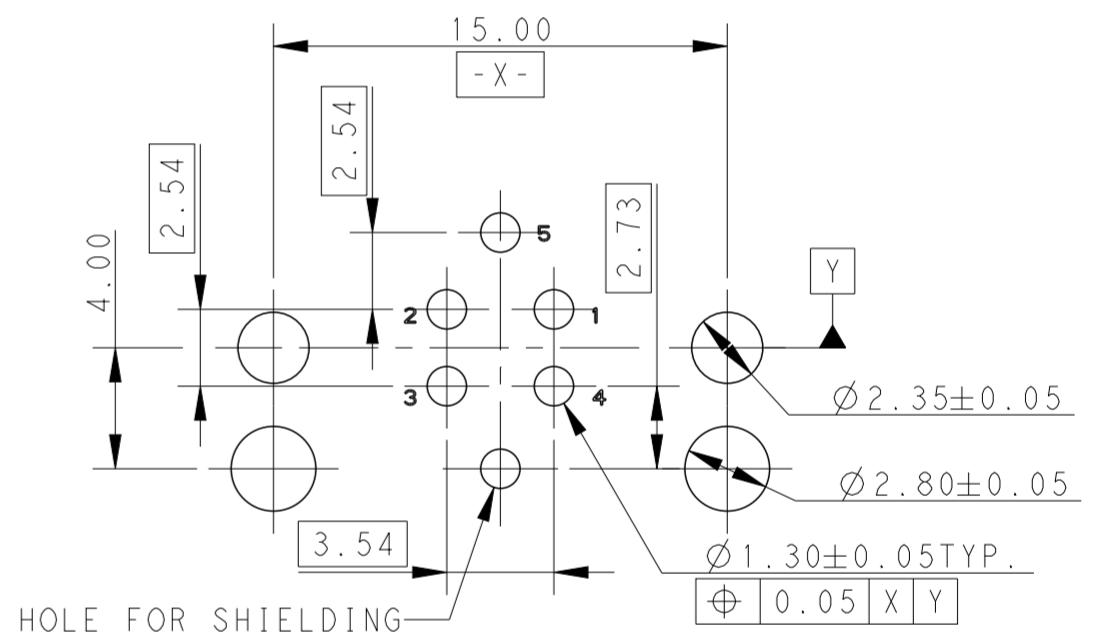


TABLE 1

| TECHNICAL DATA | T4144035021-000 | T4144035031-000 | T4144035041-000 | T4144035051-000 |
|-----------------------|-----------------|-----------------|-----------------|-----------------|
| RATED VOLTAGE | 250V | 250V | 250V | 60V |
| RATED CURRENT | 4A | 4A | 4A | 4A |
| POLLUTION DEGREE | 3 | 3 | 3 | 3 |
| OVERVOLTAGE CATEGORY | II | II | II | II |
| MATERIAL GROUP | II | II | II | II |
| DEGREE OF PROTECTION | IP67 | IP67 | IP67 | IP67 |
| OPERATION TEMPERATURE | -40~85°C | -40~85°C | -40~85°C | -40~85°C |



RECOMMEND PCB LAYOUT FOR 2-4POS.
 PCB THICKNESS: 1.6mm



RECOMMEND PCB LAYOUT FOR 5POS.
 PCB THICKNESS: 1.6mm

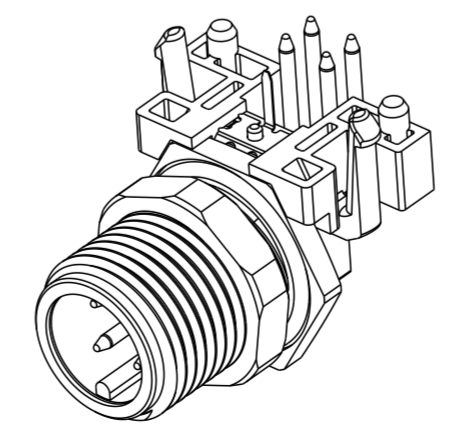
TABLE 2

| PIN ARRANGEMENT A-CODE | | | |
|------------------------|-----------------|-----------------|-----------------|
| T4144035021-000 | T4144035031-000 | T4144035041-000 | T4144035051-000 |
| | | | |

RECOMMENDED PANEL SIZE
 NOTES:

1. TECHNICAL DATA: SEE TABLE 1
2. PIN ARRANGEMENT: SEE TABLE 2
3. RECOMMENDED PANEL CUTOUT AND PCB LAYOUT SEE DETAIL .
4. ALL DIMENSIONS ARE FOR NOMINAL REFERENCE ONLY UNLESS OTHERWISE STATED

- 注意事项
1. 技术参数: 见表 1
 2. PIN 针排布见表 2;
 3. 推荐面板及 PCB 开孔尺寸如图所示;
 4. 所有尺寸仅供参考, 除另外说明。



| | | |
|--|-------|--------------------------|
| THIS DRAWING IS A CONTROLLED DOCUMENT. | | DWN Nick Pan 25MAY2016 |
| DIMENSIONS: mm | | CHK Kobby Zhao 25MAY2016 |
| TOLERANCES UNLESS OTHERWISE SPECIFIED: | | APVD Xiang Xu 25MAY2016 |
| 0 PLC | ± | PRODUCT SPEC |
| 1 PLC | ±0.25 | 108-106140 |
| 2 PLC | ±0.15 | APPLICATION SPEC |
| 3 PLC | ± | 114-137144 |
| 4 PLC | ± | WEIGHT |
| ANGLES | ± | CUSTOMER DRAWING |
| FINISH | - | SCALE 2:1 |
| MATERIAL | - | SHEET 1 OF 1 |
| | | REV B |

| COMMENTS | MATERIAL | DESCRIPTION | ITEM |
|-------------|----------|--------------|------|
| - | BRASS | SHIELDING | 6 |
| - | BRASS | NUT | 5 |
| - | BRASS | COUPLING NUT | 4 |
| | SILICONE | O-RING | 3 |
| BALCK COLOR | PA66 | HOUSING | 2 |
| GOLD FLASH | BRONZE | CONTACT | 1 |

| TYPE | POS. | PART NUMBER |
|--------------------------|------|-----------------|
| RPC-M12-MRS-5CON-M12-LPU | 5 | T4144035051-000 |
| RPC-M12-MRS-4CON-M12-LPU | 4 | T4144035041-000 |
| RPC-M12-MRS-3CON-M12-LPU | 3 | T4144035031-000 |
| RPC-M12-MRS-2CON-M12-LPU | 2 | T4144035021-000 |

STE TE Connectivity

NAME: M12 RIGHT ANGLE PCB ASSEMBLY MALE CONNECTOR, SHIELDED, A-CODE

SIZE: A2 CAGE CODE: - DRAWING NO: T41440350X1000 RESTRICTED TO: -