

THIS DRAWING IS UNPUBLISHED. RELEASED FOR PUBLICATION  
 © COPYRIGHT copyright.d8Te- ALL RIGHTS RESERVED.

REVISIONS					
P	LTR	DESCRIPTION	DATE	DWN	APVD
B		ECR-16-010100	14JUL2016	L.Z	X.X
C		ECR-19-009136	19JUL2019	C.D	C.W

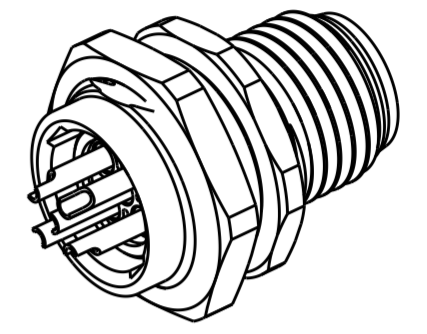
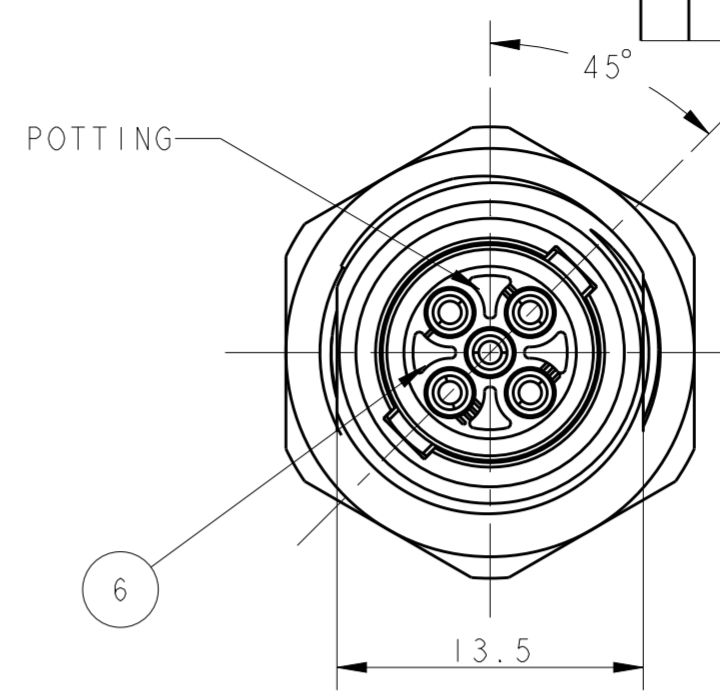
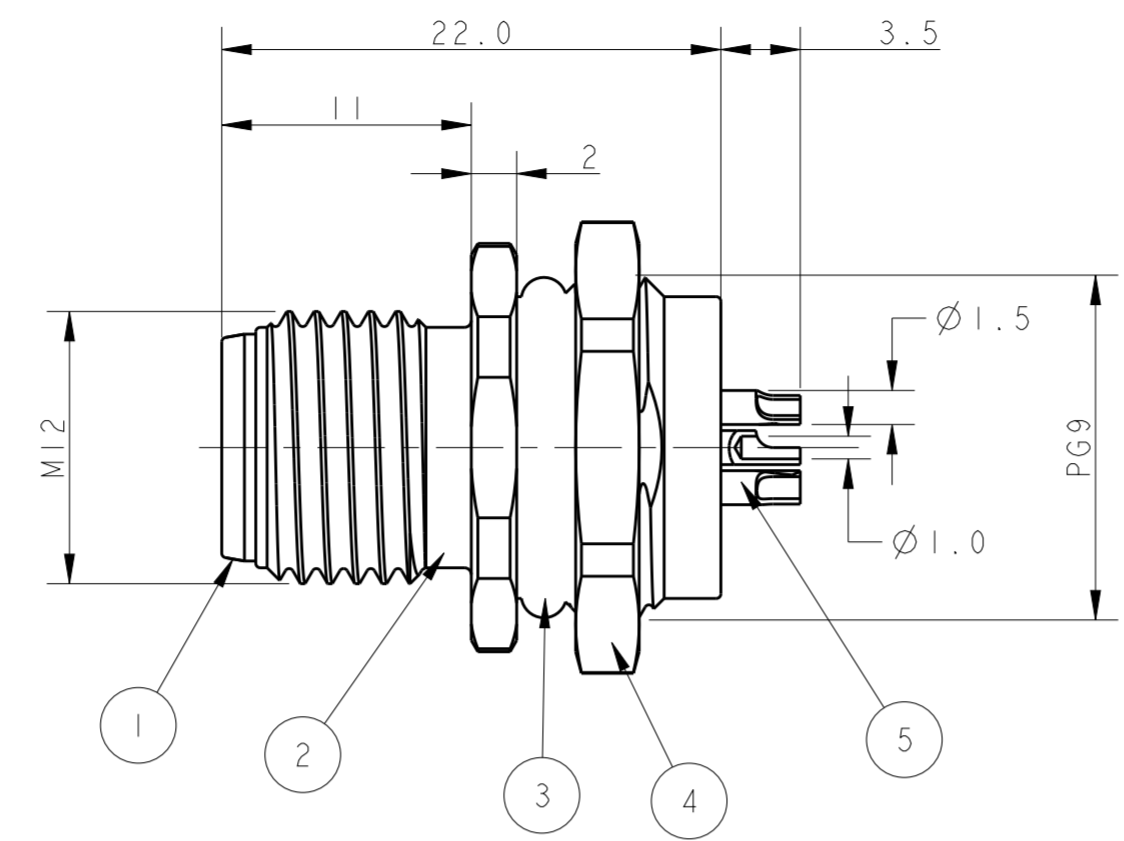
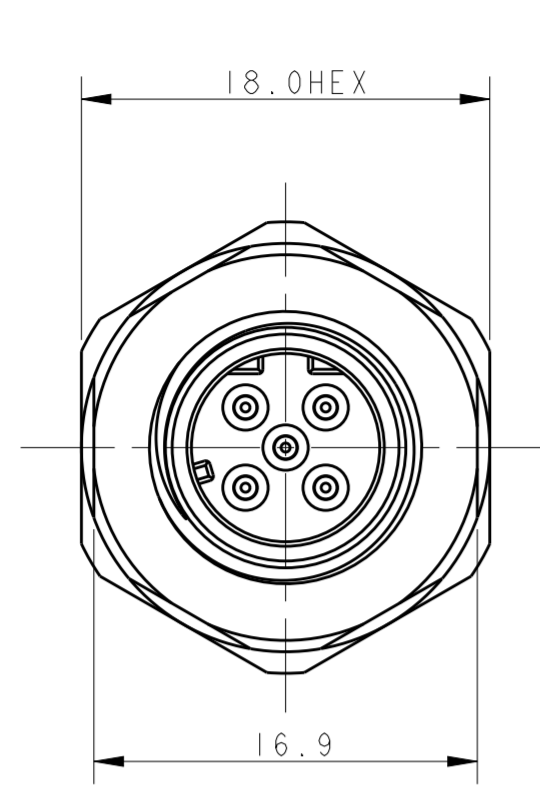


TABLE 1

TECHNICAL DATA	T4132512021-000	T4132512031-000	T4132512041-000	T4132512051-000
RATED VOLTAGE	250V	250V	250V	60V
RATED CURRENT	4A	4A	4A	4A
POLLUTION DEGREE	3	3	3	3
OVERVOLTAGE CATEGORY	II	II	II	II
MATERIAL GROUP	II	II	II	II
CONTACT RESISTANCE	<=10mΩ	<=10mΩ	<=10mΩ	<=10mΩ
INSULATION RESISTANCE	>100MΩ	>100MΩ	>100MΩ	>100MΩ
DEGREE OF PROTECTION	IP67	IP67	IP67	IP67
OPERATION TEMPEATURE	-40~85°C	-40~85°C	-40~85°C	-40~85°C

NOTE:  
 1. TECHNICAL DATA: SEE TABLE 1  
 2. KEY CHARACTER PER SPEC 407-55  
 3. PRODUCT COMPLIES WITH IEC61076-2-101  
 4. "①" SHOWS INSPECTION NO.  
 5. GEOMETRIC DIMENSIONING AND TOLERANCING PER TEC-402-7  
 6. ALL MATERIALS TO BE LOW HALOGEN(<900PPM) PER TEC-138-705  
 7. ALL MATERIALS TO BE ROHS COMPLIANT PER TEC-138-705  
 8. ALL MATERIALS TO BE REACH COMPLIANT PER TEC-138-705  
 9. PN INFORMATION FOR ASSEMBLY PARTS

注释:  
 1: 技术参数, 见表1  
 2: 关键尺寸参照TE标准407-55  
 3: 产品符合标准IEC61076-2-101  
 4: "①" 标识检测尺寸序号  
 5: 几何尺寸及公差按照TE标准TEC-402-7  
 6: 所有材料符合无卤(<900PPM)参照标准TEC-138-705  
 7: 所有材料符合ROHS参照标准TEC-138-705  
 8: 所有材料符合REACH参照标准TEC-138-705  
 9: 成品料号信息如下:

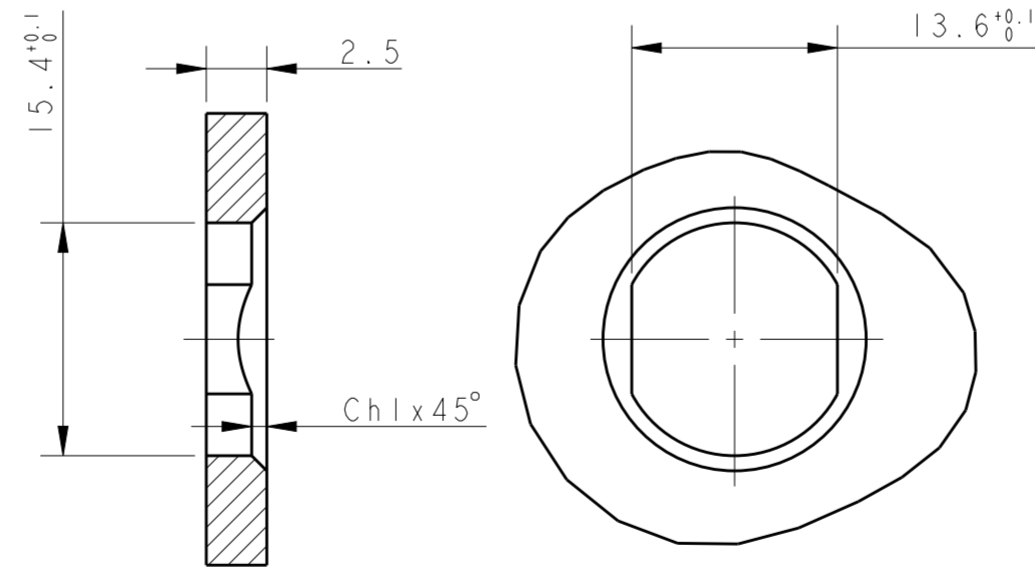
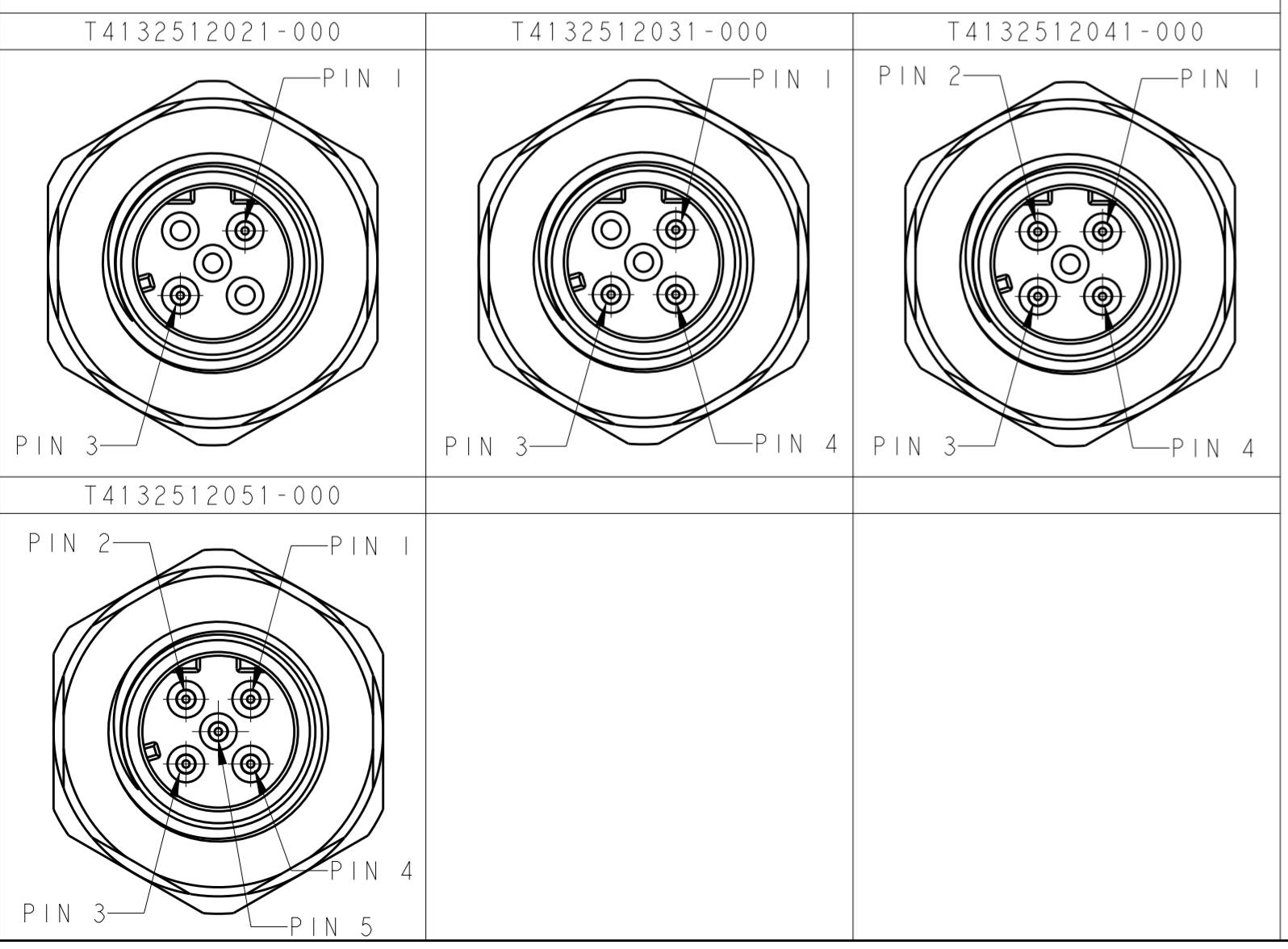
T41325120X1-000

CONTACT FINISH:  
 1: GOLD 3u'' OVER NICKEL 80u''  
 NUMBER OF PINS:  
 02: 2 PINS  
 03: 3 PINS  
 04: 4 PINS  
 05: 5 PINS

T41325120X1-000

端子电镀:  
 1: 至少3u''金, 80u''镍打底  
 针数:  
 02: 2 针  
 03: 3 针  
 04: 4 针  
 05: 5 针

PIN ARRANGEMENT  
D-CODE



RECOMMENDED PANEL CUTOUT

T4132512021-000	RPC-M12D-MB-2CON-PG9-LAU
T4132512031-000	RPC-M12D-MB-3CON-PG9-LAU
T4132512041-000	RPC-M12D-MB-4CON-PG9-LAU
T4132512051-000	RPC-M12D-MB-5CON-PG9-LAU
PART NUMBER	TYPE

PLATING	MATERIAL	DESCRIPTION	ITEM
3u'' GOLD PLATED	COPPER ALLOY	POTTING ADHESIVE	6 1 1 1 1
80u'' NICKEL PLATED	COPPER ALLOY	CONTACT	5 2 3 4 5
BLACK	RUBBER	METAL NUT	4 1 1 1 1
80u'' NICKEL PLATED	COPPER ALLOY	O-RING	3 1 1 1 1
-	PA66	M12, MALE, METAL BODY	2 1 1 1 1
-	-	M12, MALE HSG	1 1 1 1 1

THIS DRAWING IS A CONTROLLED DOCUMENT.

DWN BO GAO 29-Jan-16  
 CHK KOBBY ZHAO 29-Jan-16  
 APVD XIANG XU 29-Jan-16

TE Connectivity  
**STE**  
 M12 PANEL MOUNT CONNECTOR  
 D CODE, MALE, FRONT MOUNTING

SIZE A2 CAGE CODE - DRAWING NO. G-T41325120X1000 RESTRICTED TO -  
 SCALE 3:1 SHEET 1 OF 1 REV C

PRODUCT SPEC 108-106140  
 APPLICATION SPEC 114-137144  
 WEIGHT -  
 CUSTOMER DRAWING