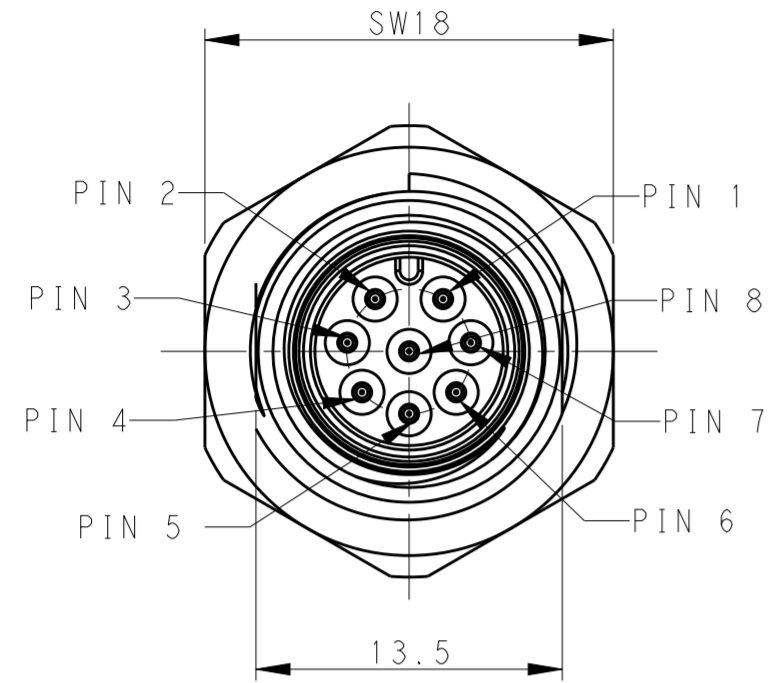
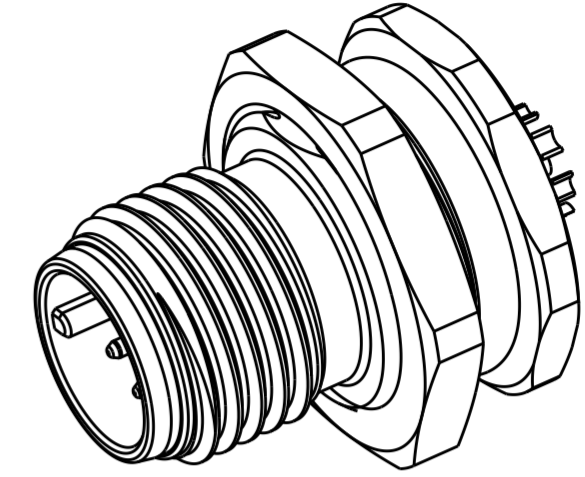
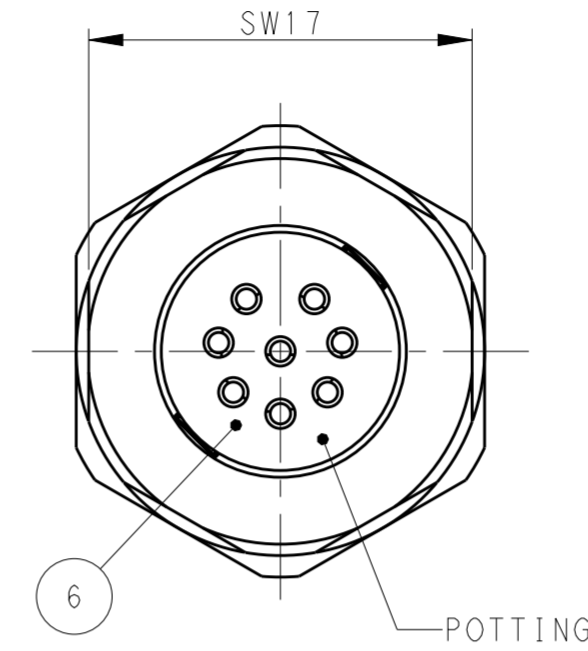
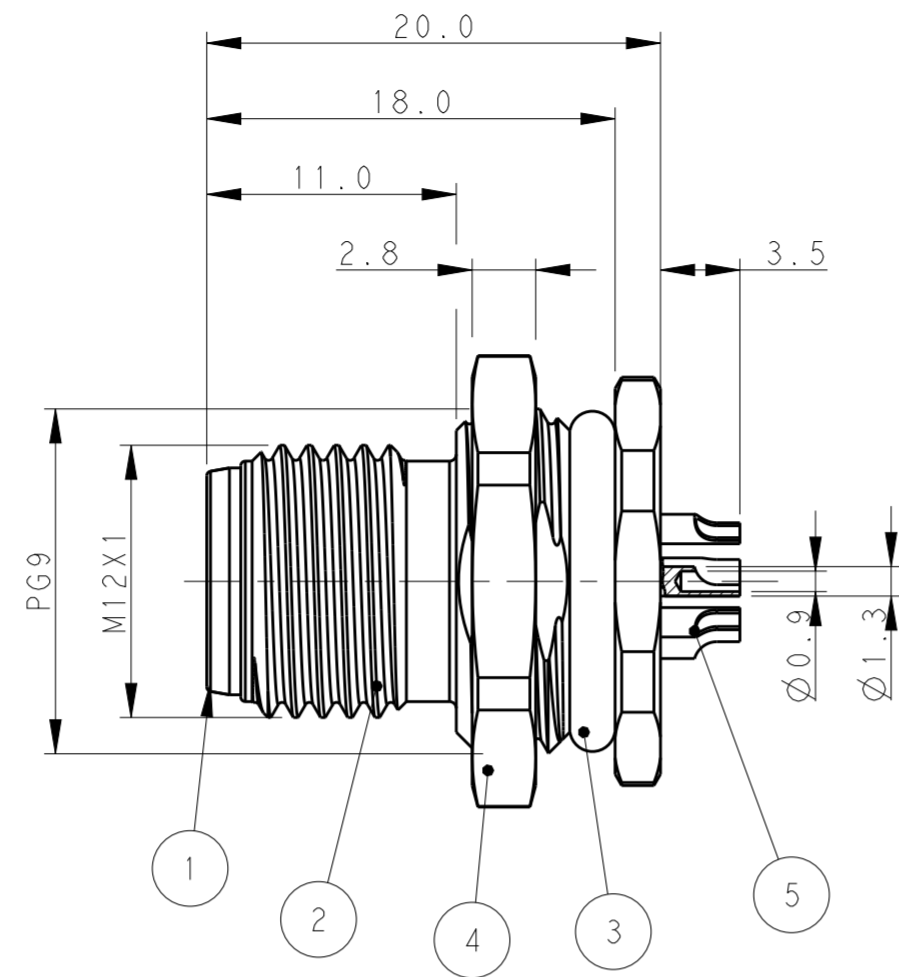


THIS DRAWING IS UNPUBLISHED. RELEASED FOR PUBLICATION
 © COPYRIGHT copyright.d8te- ALL RIGHTS RESERVED.

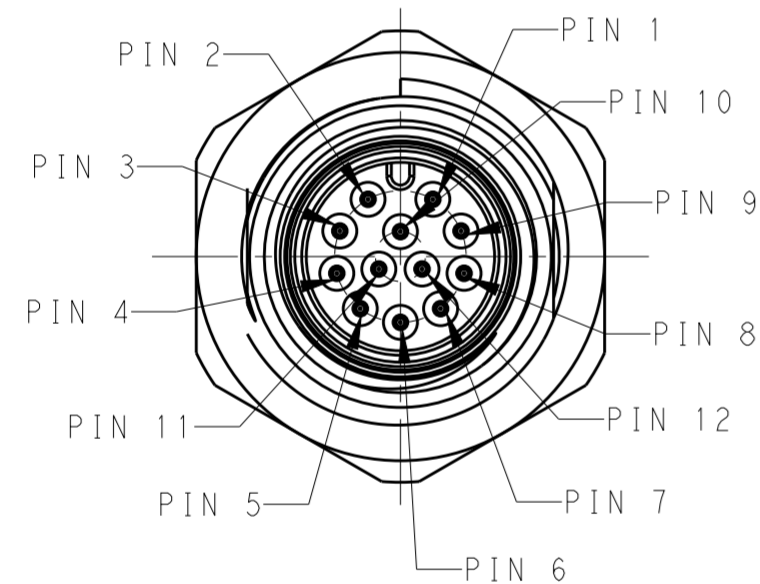
REVISIONS					
P	LTR	DESCRIPTION	DATE	DWN	APVD
A		INITIAL RELEASE	03JAN2018	G.W	C.W
A1		ECR-18-003481	08MAR2018	G.W	C.W
B		ECR-19-009136	10JUL2019	C.D	C.W



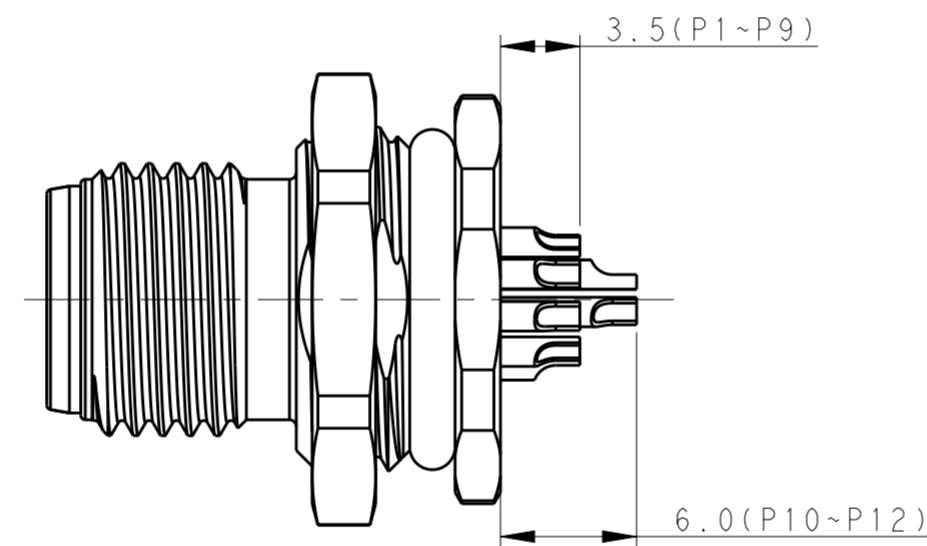
M12, MALE, 8POLES



- NOTE:
1. TECHNICAL DATA: SEE TABLE 1
 2. RECOMMENDED MOUNT PANEL SEE DETAIL
 3. PACKAGING: 1 PIECE IN A BAG
 4. ALL DIMENSIONS ARE FOR NOMINAL REFERENCE ONLY UNLESS OTHERWISE STATED



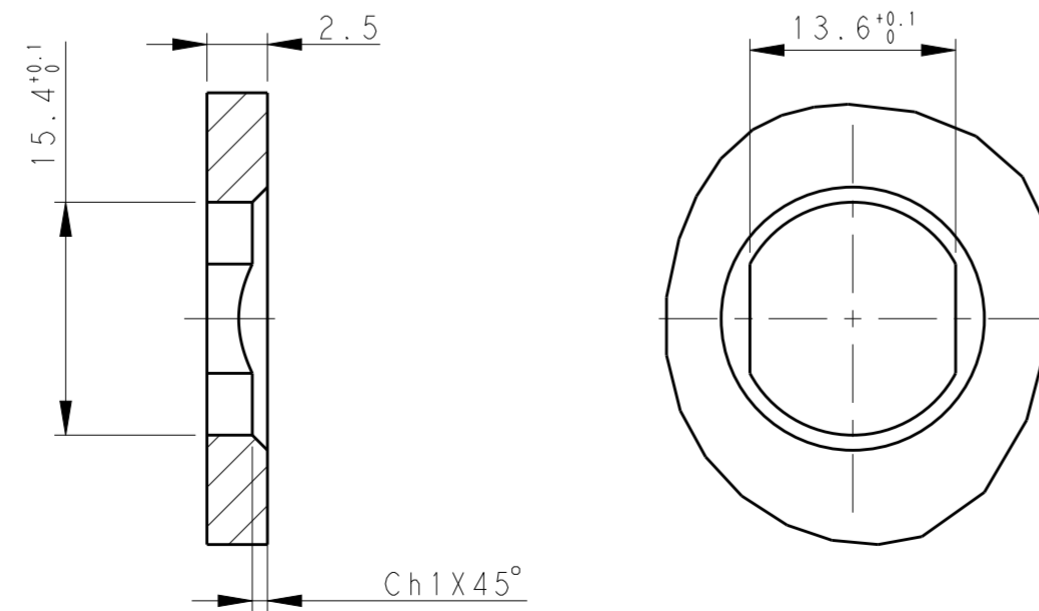
M12, MALE, 12POLES



- 注释:
1. 技术参数, 见表1
 2. 推荐开孔尺寸详见如图所示
 3. 包装: 1PCS/袋
 4. 所有尺寸仅供参考, 除非另有说明

TABLE 1

TECHNICAL DATA	T4130012081-000	T4130012121-000
RATED VOLTAGE	30V	30V
RATED CURRENT	2A	1.5A
POLLUTION DEGREE	3	3
OVERVOLTAGE CATEGORY	II	II
MATERIAL GROUP	II	II
DEGREE OF PROTECTION	IP67	IP67
OPERATION TEMPERATURE	-40~85°C	-40~85°C



RECOMMENDED PANEL CUTOUT

T4130012121-000	RPC-M12-MF-12CON-PG9-LAU	12
T4130012081-000	RPC-M12-MF-8CON-PG9-LAU	8
PART NUMBER	TYPE	POS.

OTHERS	MATERIAL	DESCRIPTION	ITEM
-	EPOXY RESIN	POTTING ADHESIVE	6
GOLD PLATED	COPPER ALLOY	CONTACT	5
NICKEL PLATED	COPPER ALLOY	METAL NUT	4
BLACK	RUBBER	O-RING	3
NICKEL PLATED	COPPER ALLOY	M12, MALE, METAL BODY	2
-	PA66	M12, MALE HSG	1

THIS DRAWING IS A CONTROLLED DOCUMENT.

DIMENSIONS: mm	TOLERANCES UNLESS OTHERWISE SPECIFIED:	DWN 03JAN2018 Gavin Wang	TE Connectivity M12 PANEL MOUNT CONNECTOR A CODE, MALE, REAR MOUNT
		CHK 03JAN2018 Kevin Huang	
		APVD 03JAN2018 Chris Wang	
		PRODUCT SPEC	
MATERIAL		APPLICATION SPEC	SIZE A2
		WEIGHT	CAGE CODE -
		CUSTOMER DRAWING	DRAWING NO. T4130012081000
			RESTRICTED TO
			SCALE 3:1 SHEET 1 OF 1 REV B