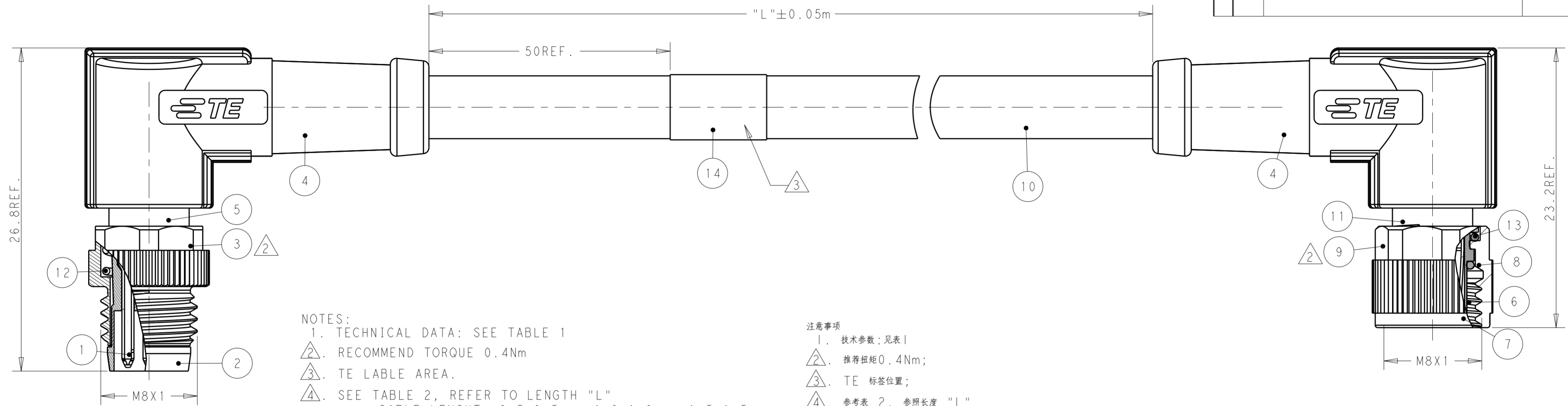


THIS DRAWING IS UNPUBLISHED. RELEASED FOR PUBLICATION 20
 © COPYRIGHT 20 BY - ALL RIGHTS RESERVED.

REVISIONS				
P	LTR	DESCRIPTION	DATE	APVD
A		INITIAL RELEASE	24FEB2016	N.P X.X
B		PER ECR-20-003177	08JUL2020	B.P C.W



NOTES:
 1. TECHNICAL DATA: SEE TABLE 1
 2. RECOMMEND TORQUE 0.4Nm
 3. TE LABEL AREA.
 4. SEE TABLE 2, REFER TO LENGTH "L"
 - ** : CABLE LENGTH: -0.5:0.5m, -1.0:1.0m, -1.5:1.5m...
 5. SEE TABLE 2, REFER TO LENGTH "L"
 CABLE LENGTH CODE:
 STANDARD LENGTH: 001...007
 CUSTOMIZATION LENGTH:
 >1.0M; XX0 OR XX5
 EXAMPLE: 3.5M:035; 15.0M:150...
 <1.0M; 99X
 EXAMPLE: 0.4M:994; ...0.9M:999

注意事项
 1. 技术参数：见表1
 2. 推荐扭矩0.4Nm；
 3. TE 标签位置；
 4. 参考表 2， 参照长度 "L"
 - * . * : 线缆长度， -0.5:0.5M, -1.0:1.0M, -1.5:1.5M...
 5. 参照表2， 参考长度 "L"
 线缆长度编码：
 标准长度：001...007
 定制长度：>1.0M; XX0 或 XX5
 例如：3.5M:035; 15.0M:150...
 <1.0M; 99X
 例如：0.4M:994; ...0.9M:999

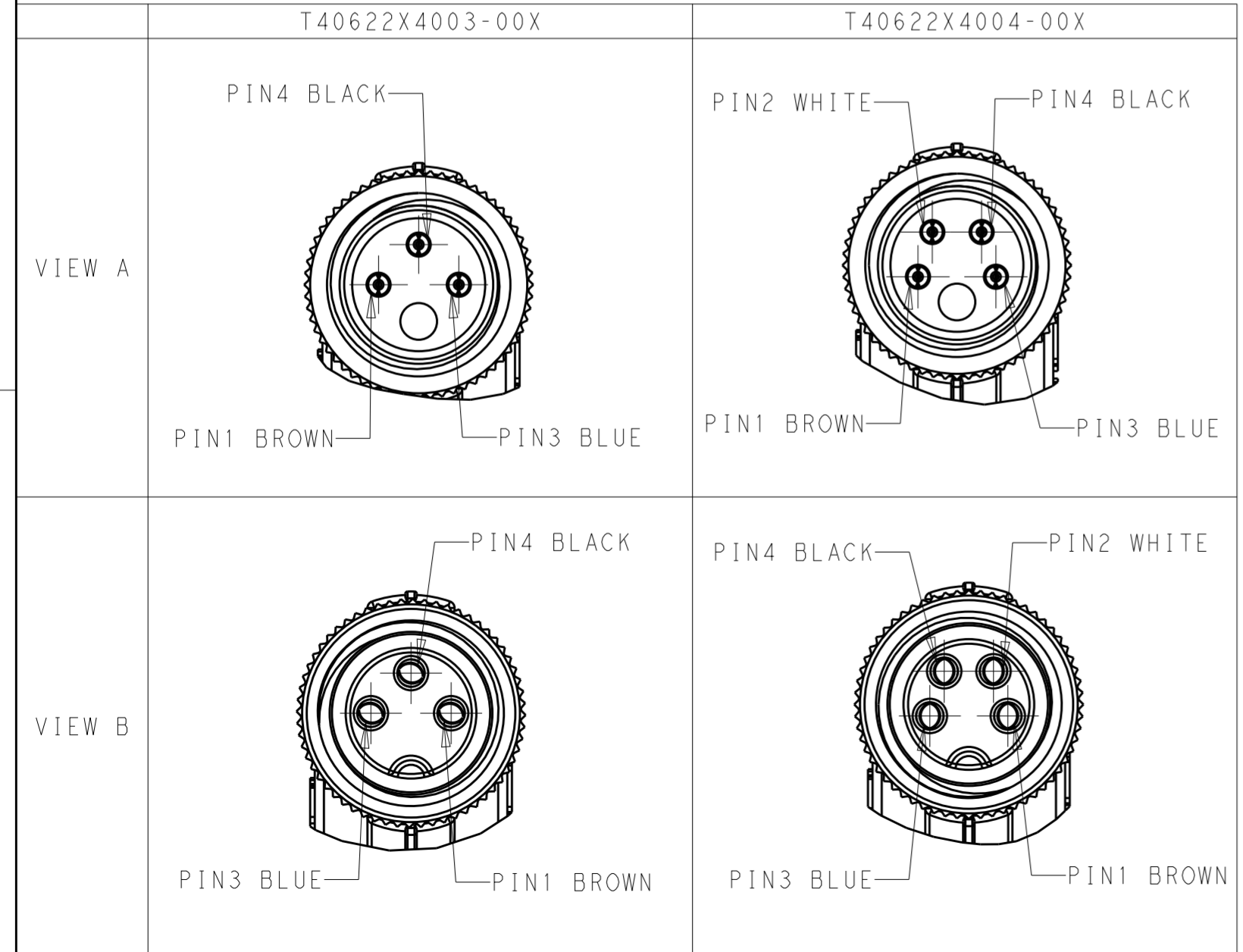
VIEW A

VIEW B

-	-	TE LABEL	14
-	STEEL	WAVE WASHER	13
-	STEEL	SPRING	12
-	BRASS	SHIELDING	11
-	-	CABLE	10
-	COPPER ALLOY	COUPLING NUT	9
-	RUBBER	O-RING	8
BALCK COLOR	PA66	HOUSING	7
GOLD FLASH	COPPER ALLOY	CONTACT	6
-	COPPER ALOY	SHIELDING	5
BLUE COLOR	POLYURETHANE	OVER-MOLDING	4
-	COPPER ALLOY	COUPLING NUT	3
BALCK COLOR	PA66	HOUSING	2
GOLD FLASH	COPPER ALLOY	CONTACT	1
COMMENTS	MATERIAL	DESCRIPITON	ITEM

TABLE 1

TECHNICAL DATA	T40622X4003-00X	T40622X4004-00X
RATED VOLTAGE	60V	30V
RATED CURRENT	3A	
POLLETION DEGREE	3	
OVERVOLTAGE CATEGORY	II	
MATERIAL GROUP	II	
DEGREE OF PROTECTION	IP67	



WIRES: 0.25mm ² (24AWG)	STANDARD: -001:0.5M -002:1.0M -003:1.5M -004:3.0M -005:5.0M -006:7.0M -007:10.0M CUSTOMIZATION: -XX0:XX.0 M -XX5:XX.5 M -99X: 0.X M	FIXED: -25°C~80°C FLXIBLE: -10°C~80°C	GRAY	PUR (UL)	RPC-M8-4MR-**SH-M8-4FR-PUR	4	T4062224004-00X
					RPC-M8-3MR-**SH-M8-3FR-PUR	3	T4062224003-00X
		FIXED: -10°C~80°C FLXIBLE: -5°C~80°C	BLACK	PVC (UL)	RPC-M8-4MR-**SH-M8-4FR-PVC	4	T4062214004-00X
					RPC-M8-3MR-**SH-M8-3FR-PVC	3	T4062214003-00X
CABLE CHARACTERISTIC	LENGTH "L"	RECOMMEND OPERATION TEMPERATURE FOR CABLE	JACKET COLOR	JACKET MATERIAL	TYPE	POS.	PART NUMBER

THIS DRAWING IS A CONTROLLED DOCUMENT.

DIMENSIONS: mm

TOLERANCES UNLESS OTHERWISE SPECIFIED:
 0 PLC ±0.50
 1 PLC ±0.35
 2 PLC ±0.35
 3 PLC ±
 4 PLC ±
 ANGLES ±
 FINISH -

MATERIAL: TBD

APVD: Nick Pan 24FEB2016
 CHK: Kobby Zhao 24FEB2016
 APVD: Xiang Xu 24FEB2016

PRODUCT SPEC: 108-106140

APPLICATION SPEC: -

WEIGHT: -

CUSTOMER DRAWING

SCALE: 1:1

SHEET 1 OF 1

REV B

NAME: M8 CABLE ASSEMBLY SHIELDED TYPE DOUBLE ENDED

SIZE: A2

CAGE CODE: -

DRAWING NO: C-T40622X400X00X

RESTRICTED TO: -