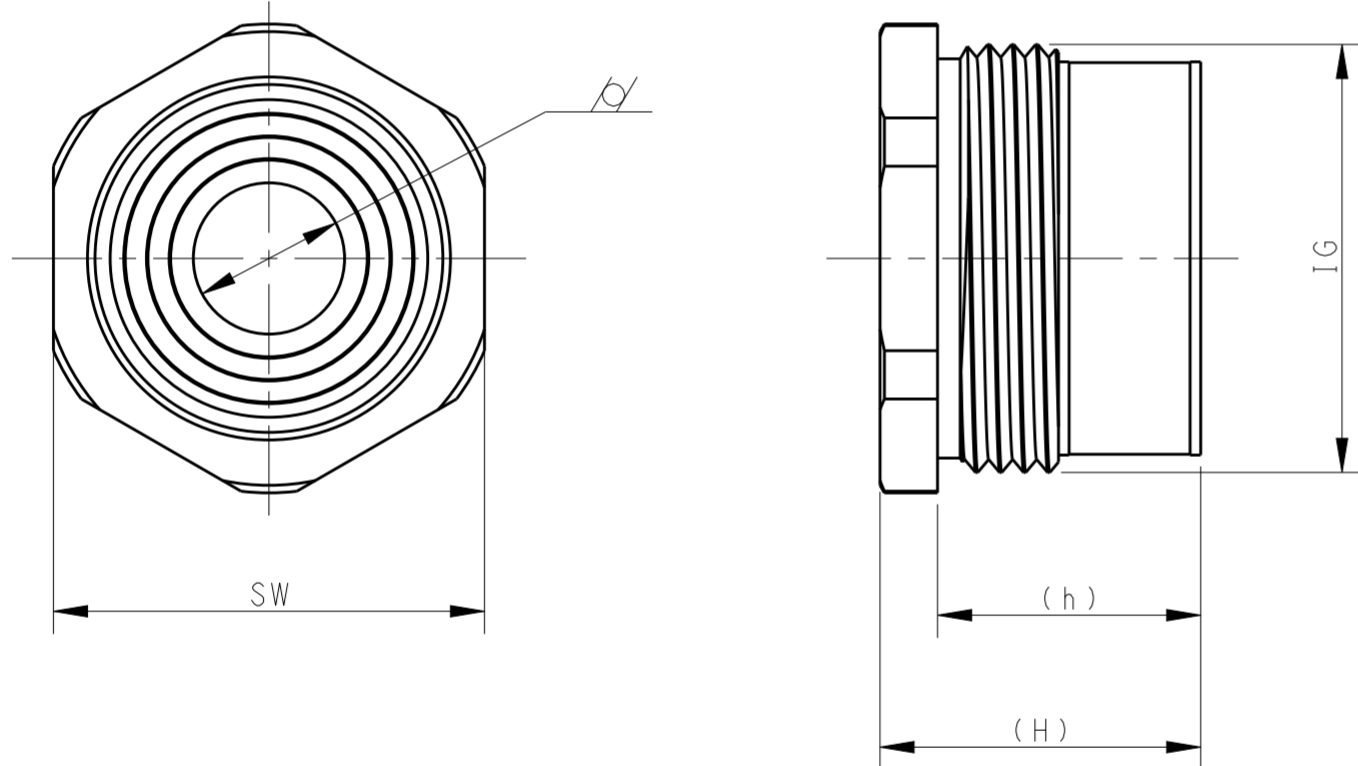
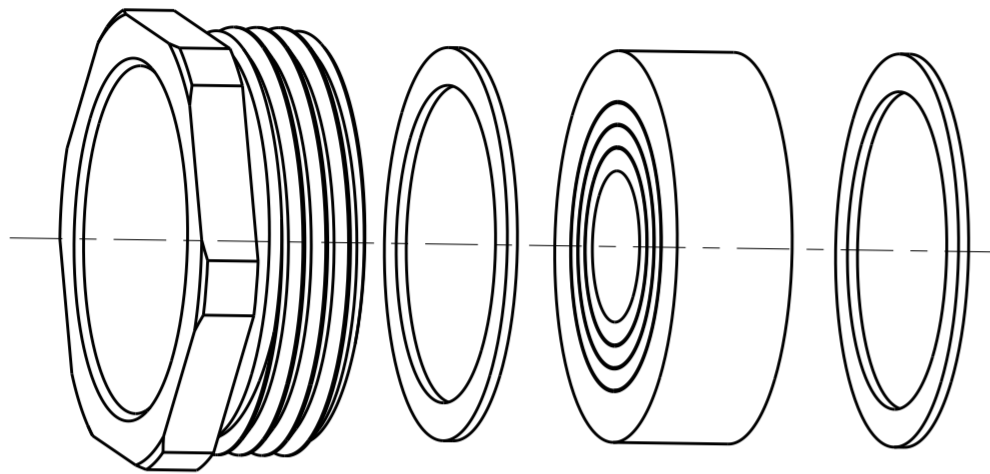


THIS DRAWING IS UNPUBLISHED. RELEASED FOR PUBLICATION 20
 © COPYRIGHT 20 BY - ALL RIGHTS RESERVED.

REVISIONS					
P	LTR	DESCRIPTION	DATE	DWN	APVD
	A	INITIAL	28MAY2016	YC	CW
	A1	ECR-19-004297	21MAR2019	SR	CW



NOTE:
 I. TECHNICAL CHARACTERISTICS:
 SHELL MATERIAL : BRASS, NICKEL PLATED
 SEAL MATERIAL : NBR
 WIRE RANGE : SEE TABLE

注释:
 I. 技术参数:
 主体材料: 铜镍镍
 密封材料: NBR
 夹线范围: 见表格

	T3201320102-000	METAL FLAT JOINTS WITH MULTIPLE SEAL M32 金属平口旋紧件(带多层密封圈) M32	DSM-32-M	18-27	M32X1.5	36	18	22.6	18.6
	T3201250102-000	METAL FLAT JOINTS WITH MULTIPLE SEAL M25 金属平口旋紧件(带多层密封圈) M25	DSM-25-M	13-19	M25X1.5	30	13	21.2	17.6
	T3201200102-000	METAL FLAT JOINTS WITH MULTIPLE SEAL M20 金属平口旋紧件(带多层密封圈) M20	DSM-20-M	7-12	M20X1.5	24	7.5	17.6	14.6
	T3201160102-000	METAL FLAT JOINTS WITH MULTIPLE SEAL M16 金属平口旋紧件(带多层密封圈) M16	DSM-16-M	5-10	M16X1.5	18	7.5	16.1	13.1
	T3201120102-000	METAL FLAT JOINTS WITH MULTIPLE SEAL M12 金属平口旋紧件(带多层密封圈) M12	DSM-12-M	5-8	M12X1.5	14	5	15.9	12.9
OBSOLETE	T3201480101-000	METAL FLAT JOINTS WITH MULTIPLE SEAL PG48 金属平口旋紧件(带多层密封圈) PG48	DSM-48	36-45	PG48	60	40	34	29
	T3201420101-000	METAL FLAT JOINTS WITH MULTIPLE SEAL PG42 金属平口旋紧件(带多层密封圈) PG42	DSM-42	30-39	PG42	54	30.5	32.9	28.4
	T3201360101-000	METAL FLAT JOINTS WITH MULTIPLE SEAL PG36 金属平口旋紧件(带多层密封圈) PG36	DSM-36	24-33	PG36	47	24	29.4	24.9
	T3201290101-000	METAL FLAT JOINTS WITH MULTIPLE SEAL PG29 金属平口旋紧件(带多层密封圈) PG29	DSM-29	18-27	PG29	37	19	23.1	19.1
	T3201210101-000	METAL FLAT JOINTS WITH MULTIPLE SEAL PG21 金属平口旋紧件(带多层密封圈) PG21	DSM-21	10-19	PG21	28.5	10	21.2	17.4
	T3201160101-000	METAL FLAT JOINTS WITH MULTIPLE SEAL PG16 金属平口旋紧件(带多层密封圈) PG16	DSM-16	7-12	PG16	24	7.5	19.4	16.4
OBSOLETE	T3201130101-000	METAL FLAT JOINTS WITH MULTIPLE SEAL PG13.5 金属平口旋紧件(带多层密封圈) PG13.5	DSM-13.5	7-12	PG13.5	20	7.5	16.8	13.8
	T3201110101-000	METAL FLAT JOINTS WITH MULTIPLE SEAL PG11 金属平口旋紧件(带多层密封圈) PG11	DSM-11	7-12	PG11	18	7.5	16.8	13.8
	T3201090101-000	METAL FLAT JOINTS WITH MULTIPLE SEAL PG9 金属平口旋紧件(带多层密封圈) PG9	DSM-9	5-10	PG9	17	5	16.1	13.1
	ASSEMBLY PART NUMBER 成品料号	ASSEMBLY PART DESCRIPTION 成品描述	TYPE 类型	WIRE RANGE 夹线范围	IG	SW	∅	H	h

THIS DRAWING IS A CONTROLLED DOCUMENT.

DWN YORK CHEN 28MAY2016	TE Connectivity NAME METAL FLAT JOINTS WITH MULTIPLE SEAL SIZE CAGE CODE DRAWING NO RESTRICTED TO A200779 C-T3201XX010X000 SCALE 2:1 SHEET 1 OF 1 REV A1
CHK KYLE ZENG 28MAY2016	
APVD CHRIS WANG 28MAY2016	
PRODUCT SPEC APPLICATION SPEC WEIGHT	
CUSTOMER DRAWING	