

THIS DRAWING IS UNPUBLISHED.

RELEASED FOR PUBLICATION

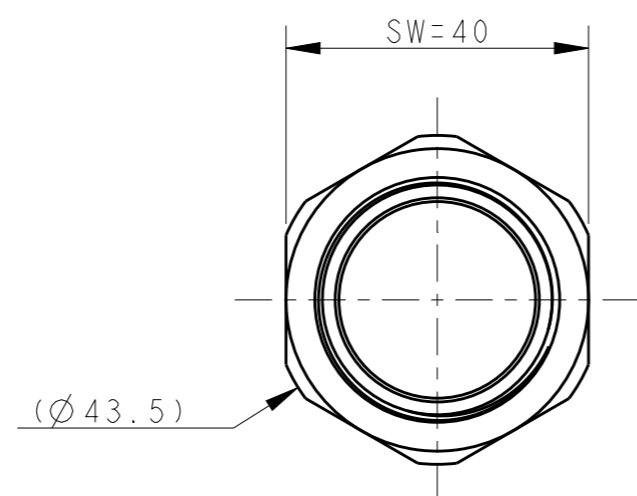
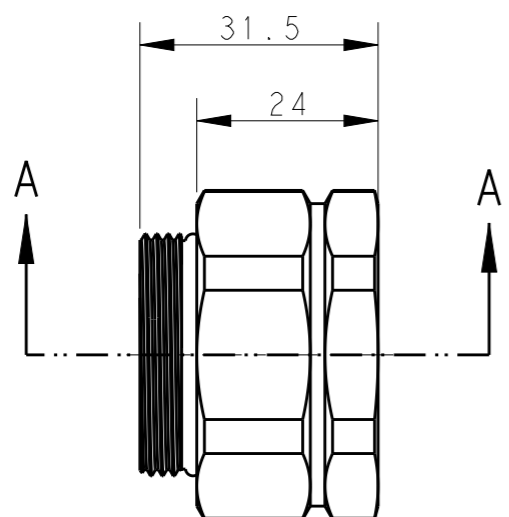
20

© COPYRIGHT 20 BY -

ALL RIGHTS RESERVED.

REVISIONS

P	LTR	DESCRIPTION	DATE	DWN	APVD
	A	INITIAL RELEASE	08FEB2018	GY	CW

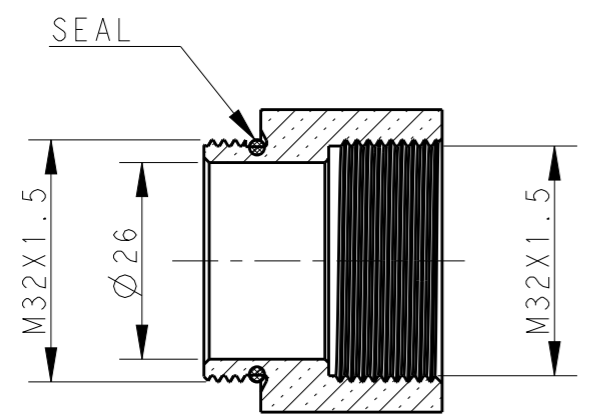


NOTES:

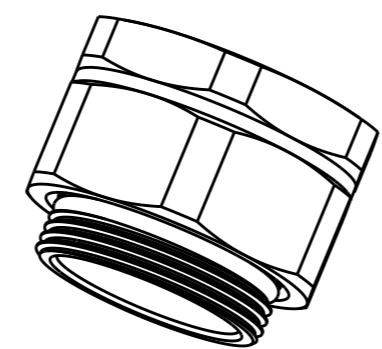
- 1. TECHNICAL CHARACTERISTICS:
 BODY MATERIAL: BRASS WITH Ni PLATED
 O-RING MATERIAL: SILICONE RUBBER
 OPERATION TEMPERATURE: -40~+125°C

注释:

- 1. 技术参数:
 主体材料: 黄铜镀镍
 O型圈材料: 硅胶
 工作温度: -40°C~125°C



SECTION A-A



T3033323250-000	INCR-32/32-M	METAL INCREASERS M32-M32 金属变径接头M32-M32
PART NUMBER 零件料号	DESCRIPTION 描述	

THIS DRAWING IS A CONTROLLED DOCUMENT.

DIMENSIONS: mm	TOLERANCES UNLESS OTHERWISE SPECIFIED:
	0 PLC ±-
	1 PLC ±-
	2 PLC ±-
	3 PLC ±-
	4 PLC ±-
	ANGLES ±-
MATERIAL	FINISH
-	-
-	-

DWN	30JAN2018
GINO.YAO	
CHK	30JAN2018
CHRIS.WANG	
APVD	30JAN2018
CHRIS.WANG	
PRODUCT SPEC	-
APPLICATION SPEC	-
WEIGHT	-
RESTRICTED CUSTOMER	

STE TE Connectivity

NAME: INCR-32/32-M

SIZE	CAGE CODE	DRAWING NO	RESTRICTED TO
A3	00779	©-T3033323250000	

SCALE: 1:1 SHEET: 1 OF 1 REV: A