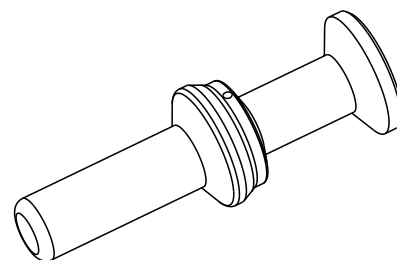
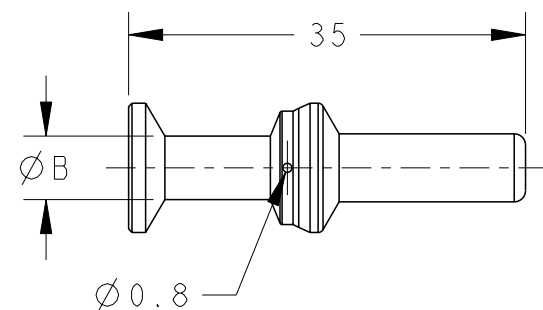


THIS DRAWING IS UNPUBLISHED. RELEASED FOR PUBLICATION 20

© COPYRIGHT 20 BY - ALL RIGHTS RESERVED.

REVISIONS

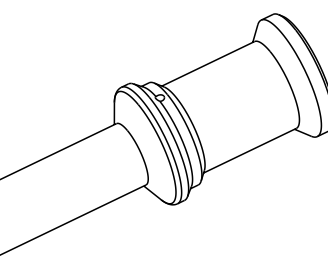
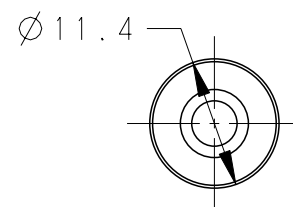
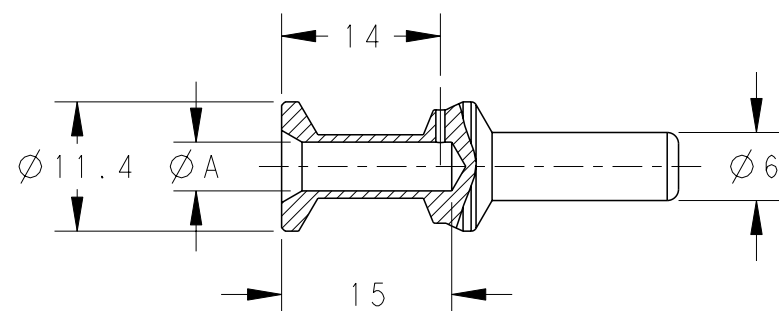
P	LTR	DESCRIPTION	DATE	DWN	APVD
	A	INITIAL	15MAY2015	DW	CW
	A1	ECR-16-015170	11JAN2017	YC	CW
	B	ECR-19-018087	22NOV2019	YC	CW
	B1	ECR-21-125167	4JAN2022	GY	CW



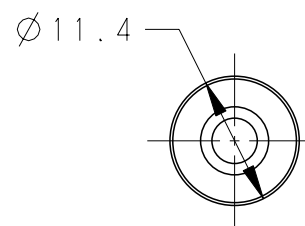
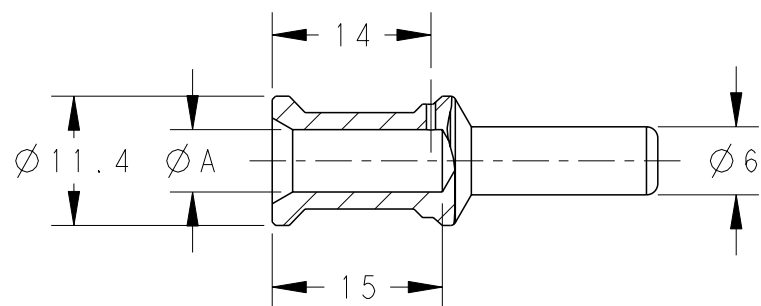
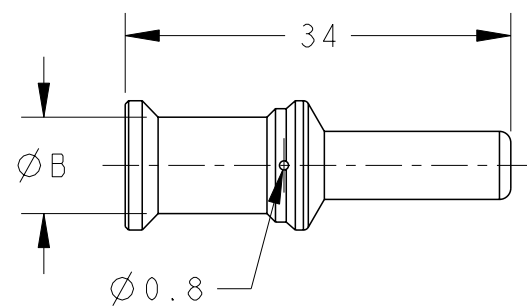
TYPE 1:
CSM-10 T2400001100-000
类型 1:
CSM-10 T2400001100-000


NOTES:
1. TECHNICAL CHARACTERISTICS:
CONTACT MATERIAL: BRASS
SURFACE PLATING:
SILVER PLATING: $\geq 2\mu\text{m}$
CONTACT RESISTANCE: $\leq 1.5\text{m}\Omega$
WIRE RANGE: 6.0-25mm²

注释:
1. 技术参数:
公针材料: 黄铜
表面电镀:
镀银: $\geq 2\mu\text{m}$
接触电阻: $\leq 1.5\text{m}\Omega$
接线范围: 6.0-25mm²



TYPE 2:
CSM-16 T2400001160-000
类型 2:
CSM-16 T2400001160-000



THIS DRAWING IS A CONTROLLED DOCUMENT.		DWN DAVID WANG 15MAY2015	 TE Connectivity	
DIMENSIONS: mm		CHK CHRIS WANG 15MAY2015		
TOLERANCES UNLESS OTHERWISE SPECIFIED:		APVD XIANG XU 15MAY2015	NAME CSM SS PIN CONTACT	
0 PLC ±- 1 PLC ±- 2 PLC ±- 3 PLC ±- 4 PLC ±- ANGLES ±-		PRODUCT SPEC 108-137059	SIZE A300779	
MATERIAL -		APPLICATION SPEC 114-137059	CAGE CODE C-T2400001XX0000	DRAWING NO T2400001XX0000
FINISH -		WEIGHT -	RESTRICTED TO -	
		CUSTOMER DRAWING	SCALE 3:2	SHEET 1 OF 2
				REV B1

printed on 4 Jan 2022 16:33 (China Standard Time) from TE152312

A

THIS DRAWING IS UNPUBLISHED.

RELEASED FOR PUBLICATION

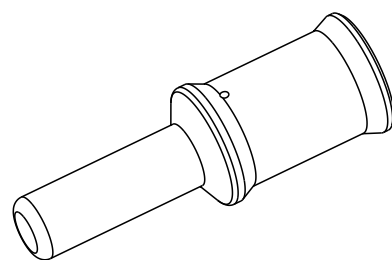
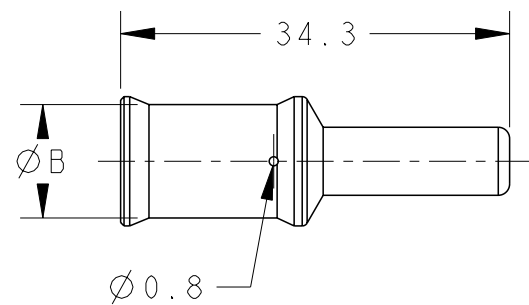
20

© COPYRIGHT 20 BY -

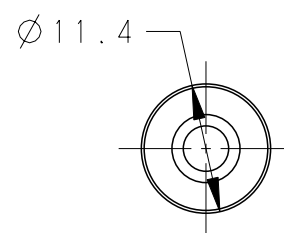
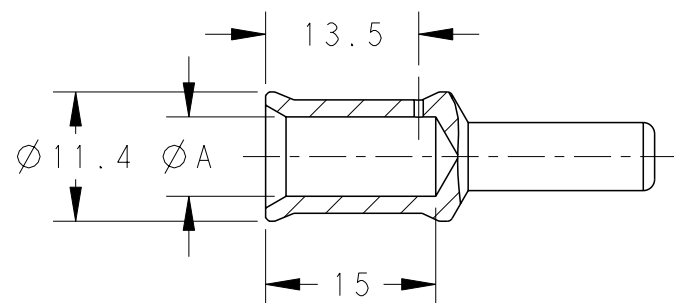
ALL RIGHTS RESERVED.

REVISIONS

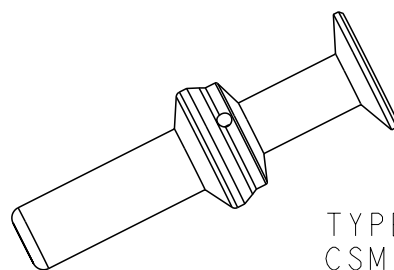
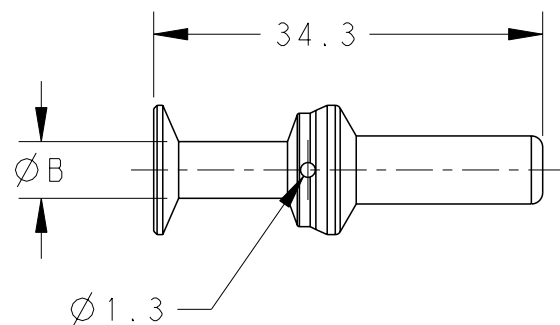
P	LTR	DESCRIPTION	DATE	DWN	APVD
-	-	SEE SHEET 1	-	-	-



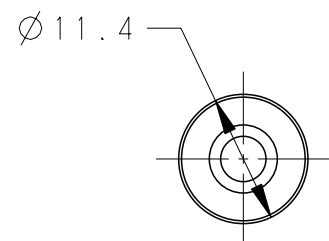
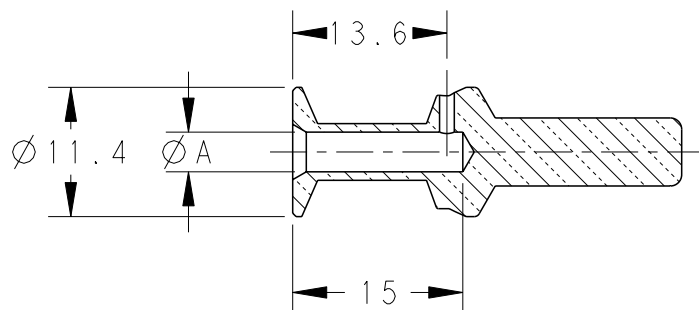
NOTES:
SEE SHEET 1.
注释:
见SHEET 1.



TYPE 3:
CSM-25 T2400001250-000
类型 3:
CSM-25 T2400001250-000



TYPE 4:
CSM-6.0 T2400001060-000
类型 4:
CSM-6.0 T2400001060-000



T2400001100-000	CSM-10	CSM-10, SILVER PLATING / SS公针 10mm ² , 镀银	4.3	5.6	10	15	TYPE 1	
T2400001160-000	CSM-16	CSM-16, SILVER PLATING / SS公针 16mm ² , 镀银	5.5	8.5	16		TYPE 2	
T2400001250-000	CSM-25	CSM-25, SILVER PLATING / SS公针 25mm ² , 镀银	7.0	10.0	25		TYPE 3	
T2400001060-000	CSM-6.0	CSM-6.0, SILVER PLATING / SS公针 6.0mm ² , 镀银	3.5	5.0	6		TYPE 4	
PART NUMBER 料号	PART DESCRIPTION 描述			ØA	ØB	WIRE GAUGE 线规(mm ²)	STRIPPING LENGTH(mm) 剥线长度	TYPE 类型

THIS DRAWING IS A CONTROLLED DOCUMENT.

DWN 15MAY2015 DAVID WANG
CHK 15MAY2015 CHRIS WANG
APVD 15MAY2015 XIANG XU

NAME CSM
PRODUCT SPEC 108-137059
APPLICATION SPEC 114-137059
WEIGHT -

TE TE Connectivity

CSM
SS PIN CONTACT

SIZE A3 CAGE CODE 00779 DRAWING NO. T2400001XX0000 RESTRICTED TO -

CUSTOMER DRAWING SCALE 3:2 SHEET 2 OF 2 REV B1

DIMENSIONS:	TOLERANCES UNLESS OTHERWISE SPECIFIED:
mm	0 PLC ±-
	1 PLC ±-
	2 PLC ±-
	3 PLC ±-
	4 PLC ±-
	ANGLES ±-
MATERIAL	FINISH
-	-
-	-

Printed on 4 Jan 2022 16:33 (China Standard Time) from TE152312