

THIS DRAWING IS UNPUBLISHED.

RELEASED FOR PUBLICATION

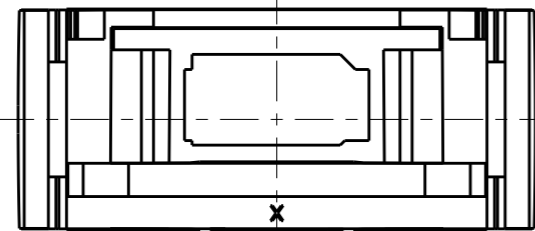
20

© COPYRIGHT 20 BY -

ALL RIGHTS RESERVED.

REVISIONS

P	LTR	DESCRIPTION	DATE	DWN	APVD
	A	INITIAL	19SEP2017	YC	CW

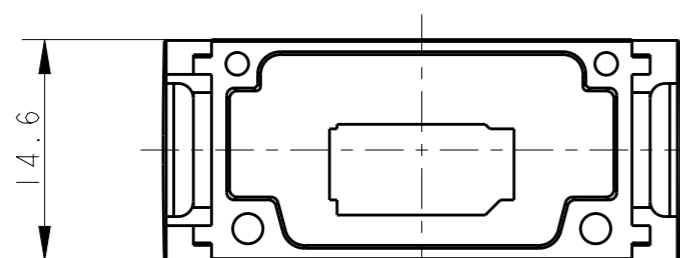
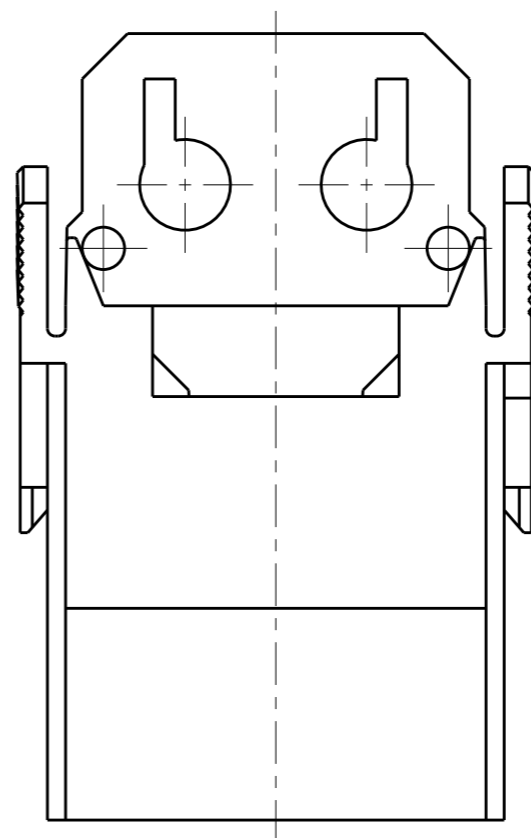
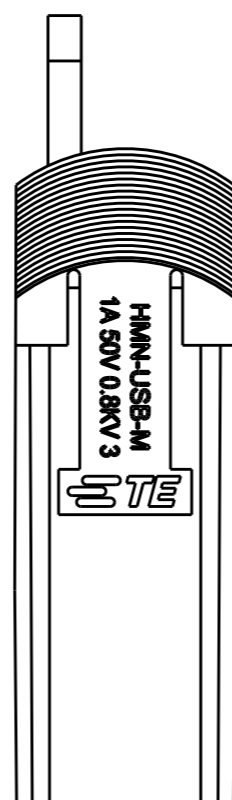
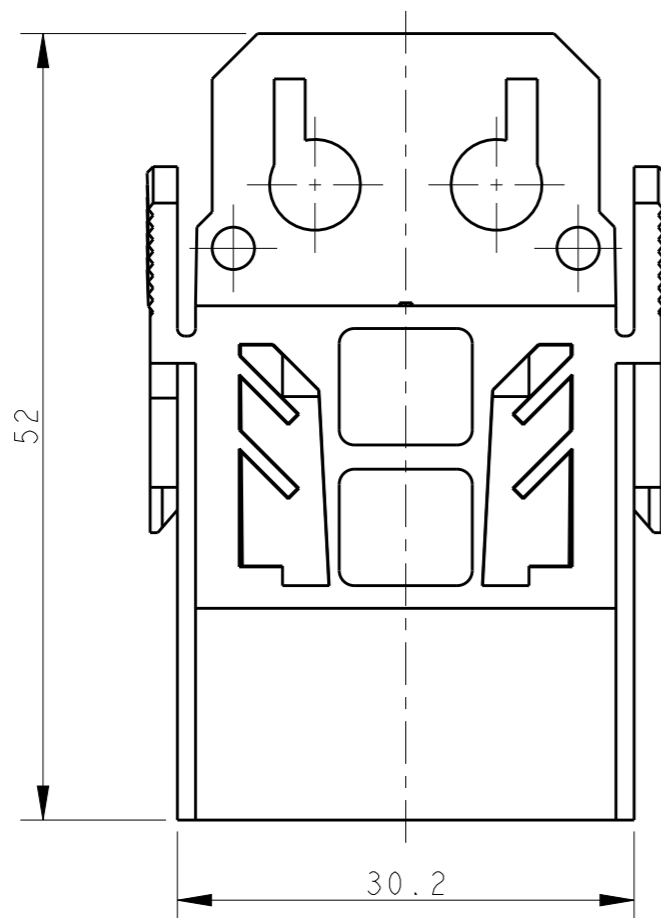
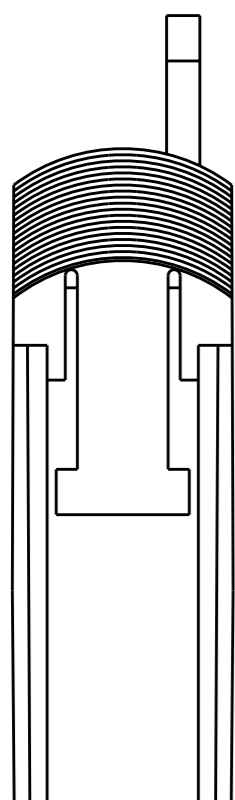


NOTES:

- 1. TECHNICAL CHARACTERISTICS:
 INSULATION MATERIAL: PC
 RATED VOLTAGE: 50V
 RATED CURRENT: 1A
 INSULATION RESISTANCE: $\geq 400M\Omega$
 RATED IMPULSE VOLTAGE: 0.8KV
 POLLUTION DEGREE: 3
 FLAMMABILITY: UL94V-0
 MATING CYCLES: 1500

注释:

- 1. 技术参数:
 绝缘材料: PC
 额定电压: 50V
 额定电流: 1A
 绝缘电阻: $\geq 400M\Omega$
 脉冲电压: 0.8KV
 污染等级: 3
 阻燃等级: UL94V-0
 插拔次数: 1500



T2114000101-007	HMN-USB-M	HMN-USB-M MALE MODULE INSERT HMN-USB 公插
PART NUMBER 料号	PART DESCRIPTION 描述	

THIS DRAWING IS A CONTROLLED DOCUMENT.	
DIMENSIONS: mm	TOLERANCES UNLESS OTHERWISE SPECIFIED:
	0 PLC ±-
	1 PLC ±-
	2 PLC ±-
	3 PLC ±-
	4 PLC ±-
	ANGLES ±-
MATERIAL	FINISH
-	-
-	-

DWN YORK CHEN 19SEP2017		NAME HMN-USB-M	RESTRICTED TO -	
CHK GINO YAO 19SEP2017				
APVD CHRIS WANG 19SEP2017				
PRODUCT SPEC 108-137066				
APPLICATION SPEC 114-137066	SIZE A3	CAGE CODE -	DRAWING NO T2114000101007	RESTRICTED TO -
WEIGHT -	SCALE 2:1	SHEET 1	OF 1	REV A
CUSTOMER DRAWING				