

REVISIONS

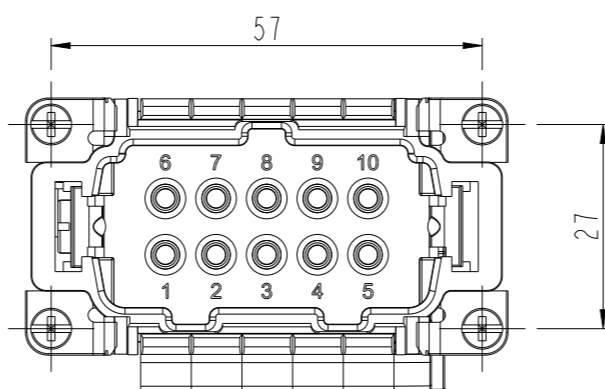
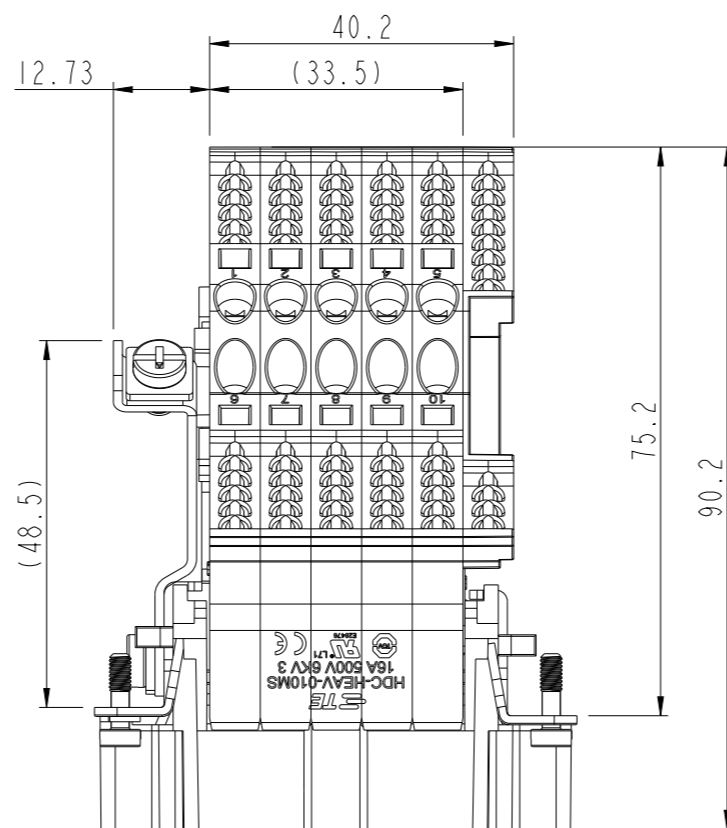
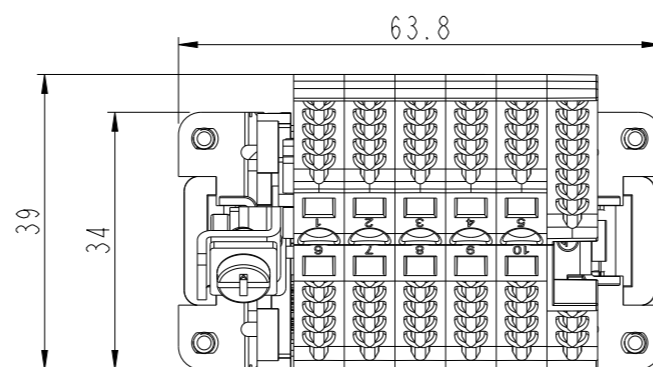
P	LTR	DESCRIPTION	DATE	DWN	APVD
A		INITIAL	2May2015	GY	CW
B		ECR-15-015359	19NOV2015	GY	CW
C		ECR-21-106009	01JUL2021	SQ	CW

NOTES:

1. TECHNICAL CHARACTERISTICS:
 INSULATION MATERIAL: PC(Gray)
 RATED VOLTAGE: 500V
 RATED CURRENT: 16A
 INSULATION RESISTANCE: $\geq 400M\Omega$
 RATED IMPULSE VOLTAGE: 6KV
 POLLUTION DEGREE: 3
 CONTACT RESISTANCE: $\leq 5m\Omega$
 FLAMMABILITY: UL94V-0
 MATING CYCLES: 500
 OPERATION TEMPERATURE: $-40^{\circ}C \sim +125^{\circ}C$
 WIRE RANGE: $0.2mm^2 \sim 2.5mm^2$ (AWG24-AWG14)
 CONTACT FINISH: SILVER PLATED
 CONTACT TYPE: SPRING CONTACT

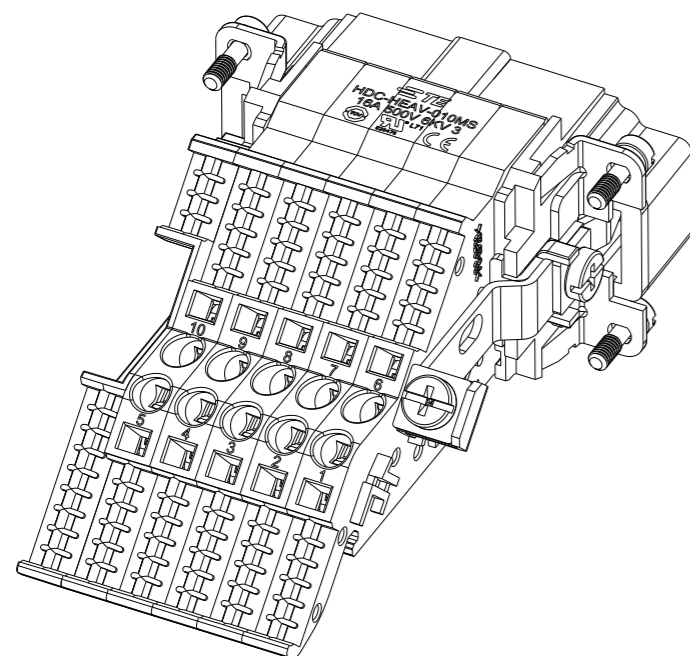
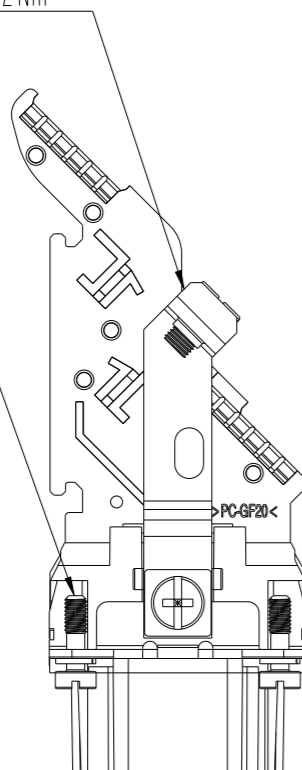
注释:

1. 技术参数:
 绝缘材料: PC(Gray)
 额定电压: 500V
 额定电流: 16A
 绝缘电阻: $\geq 400M\Omega$
 脉冲电压: 6KV
 污染等级: 3
 接触电阻: $\leq 5m\Omega$
 阻燃等级: UL94V-0
 插拔次数: 500
 工作温度: $-40^{\circ}C \sim +125^{\circ}C$
 接线范围: $0.2mm^2 \sim 2.5mm^2$ (AWG24-AWG14)
 端子表面处理: 镀银
 接线类型: 弹片压接



M4 thread, recommended tightening torque 1.2Nm

4XM3 thread, recommended tightening torque 0.5Nm



HEAV-010-MS	T2100103101-000
DESCRIPTION	PART NUMBER

THIS DRAWING IS A CONTROLLED DOCUMENT.

DIMENSIONS: mm		TOLERANCES UNLESS OTHERWISE SPECIFIED:	
		0 PLC	±-
		1 PLC	±-
		2 PLC	±-
		3 PLC	±-
		4 PLC	±-
MATERIAL		ANGLES	±-
		FINISH	

DWN	16FEB2015
Gino.Yao	
CHK	16FEB2015
Chris.Wang	
APVD	16FEB2015
Xiang.Xu	
PRODUCT SPEC	108-137075
APPLICATION SPEC	114-137075
WEIGHT	-
Customer Drawing	

NAME

HEAV-010-MS

SIZE

A3

CAGE CODE

-

DRAWING NO

©-T2100103101000

RESTRICTED TO

-

SCALE 1:1

SHEET 1 OF 1

REV C



TE Connectivity