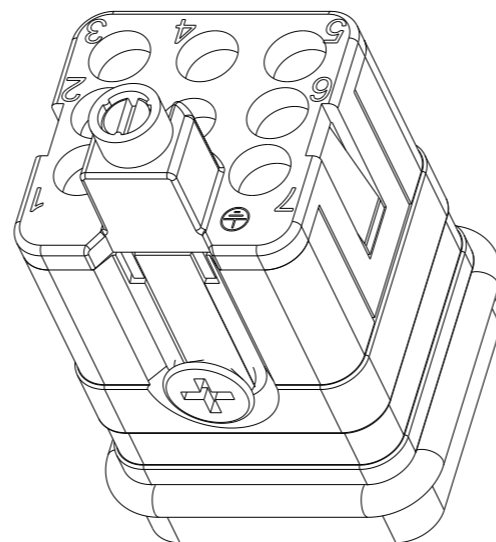
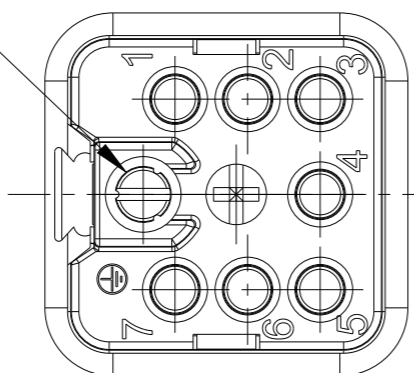
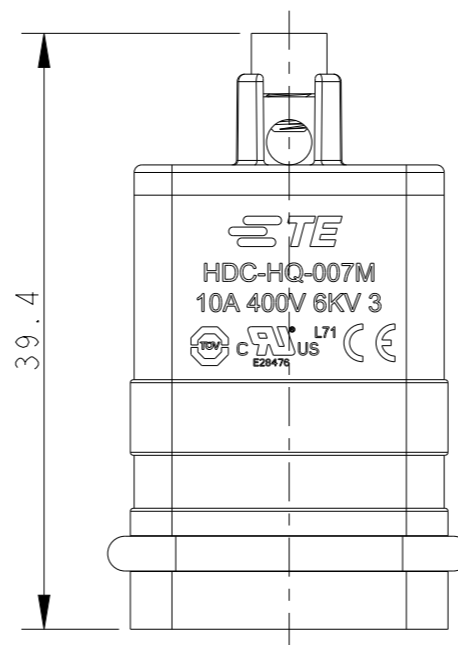
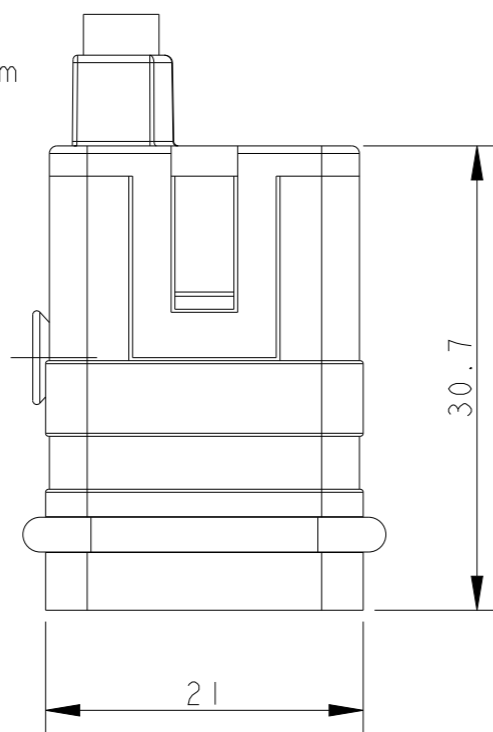
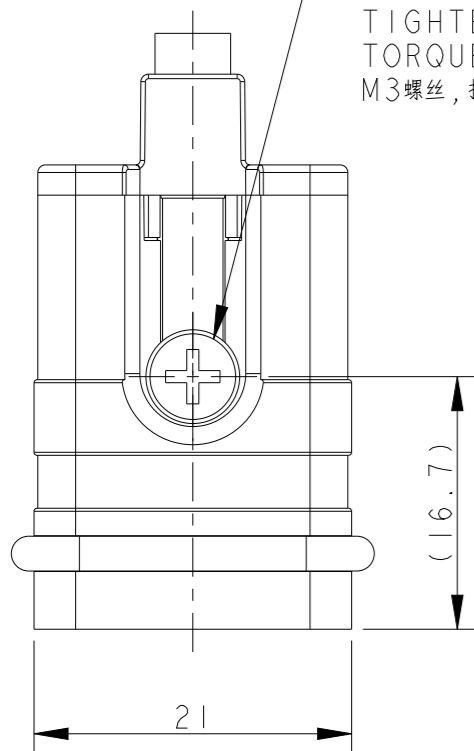


P	LTR	DESCRIPTION	DATE	DWN	APVD
B	ECR-15-014706		10OCT2015	DL	CW
B1	ECR-15-016505		11NOV2015	DL	CW
B2	ECR-16-018198		16JAN2017	QY	CW
C	ECR-21-117384		09NOV2021	WQR	CW

M3 THREAD  
RECOMMENDED  
TIGHTENING  
TORQUE 0.5Nm  
M3螺丝, 推荐锁紧力矩0.5Nm



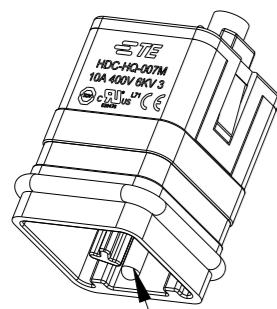
M3 THREAD  
RECOMMENDED  
TIGHTENING  
TORQUE 0.5Nm  
M3螺丝, 推荐锁紧力矩0.5Nm



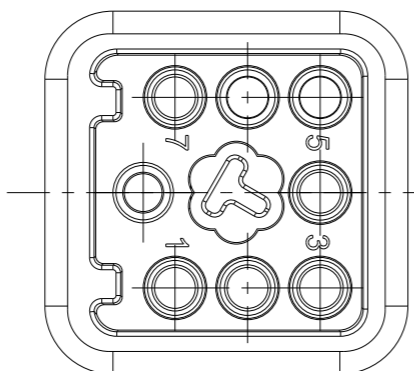
- NOTES:
- TECHNICAL CHARACTERISTICS:  
INSULATION MATERIAL: PC  
RATED VOLTAGE: 400 V  
RATED CURRENT: 10 A  
INSULATION RESISTANCE:  $\geq 400M\Omega$   
RATED IMPULSE VOLTAGE: 6 KV  
POLLUTION DEGREE: 3  
FLAMMABILITY: UL94V-0  
MATING CYCLES: 500 CYCLES  
WIRE RANGE: 0.14-2.5 mm<sup>2</sup> (26-14 AWG)  
CONTACT TYPE: CRIMP CONTACT
  - CONTACT NEED TO BE ORDERED SEPARATELY.  
(ORDER No. REFER TO DRAWING: T20200X10XX000)


- 注释:
- 技术参数:  
绝缘材料: PC  
额定电压: 400V  
额定电流: 10A  
绝缘电阻:  $\geq 400M\Omega$   
额定脉冲电压: 6 KV  
污染等级: 3  
阻燃等级: UL94V-0  
插拔次数: 500次  
接线范围: 0.14-2.5 mm<sup>2</sup> (26-14 AWG)  
接线类型: 冷压接
  - 端子需要单独订购.  
(订货号参考图面: T20200X10XX000)

TYPE-1:T2080072101-000 TE LOGO  
类型-1:T2080072101-000 TE LOGO



GROUNDING CONTACT TYPE: SCREW CONTACT  
GROUNDING CONTACT FINISH: SILVER PLATED  
WIRE RANGE: 2.5mm<sup>2</sup> (AWG14)  
接地端子类型: 螺丝连接端子 / 接地端子表面处理: 镀银 / 接线范围: 2.5mm<sup>2</sup> (AWG14)



THIS DRAWING IS A CONTROLLED DOCUMENT.		DWN	31MAR2015	 TE Connectivity	
DIMENSIONS: mm		DAVID LI	31MAR2015		
TOLERANCES UNLESS OTHERWISE SPECIFIED:		CHK	CHRIS WANG		
0 PLC ±- 1 PLC ±- 2 PLC ±- 3 PLC ±- 4 PLC ±- ANGLES ±-		APVD	XU XIANG		
MATERIAL		PRODUCT SPEC		NAME	
		108-137114		HQ-007-M	
		APPLICATION SPEC		SIZE	
		114-137114		A3	
		WEIGHT		CAGE CODE	
				-	
		FINISH		DRAWING NO	
				C-T2080072101000	
		CUSTOMER DRAWING		RESTRICTED TO	
				SCALE 2:1	
				SHEET 1 OF 2	
				REV C	

4

3

2

1

THIS DRAWING IS UNPUBLISHED.

RELEASED FOR PUBLICATION

20

REVISIONS

© COPYRIGHT 20 BY -

ALL RIGHTS RESERVED.

P	LTR	DESCRIPTION	DATE	DWN	APVD
	-	SEE SHEET 1	-	-	-


ALL DIMENSIONS ARE SAME AS TYPE 1,  
EXCEPT THOSE DEFINED IN THIS TYPE.  
除了在本类型中定义的尺寸外,其它尺寸同类型 |

NOTES:  
SEE SHEET 1  
注释:  
见页 1

TYPE-2:T2080072101-001 STAINLESS STEEL SCREW,NO LOGO  
类型-2:T2080072101-001 不锈钢螺丝,无LOGO

GROUNDING CONTACT TYPE: SCREW CONTACT  
GROUNDING CONTACT FINISH: SILVER PLATED  
WIRE RANGE: 2.5mm<sup>2</sup> (AWG14)  
接地端子类型: 螺丝连接端子 / 接地端子表面处理: 镀银 / 接线范围: 2.5mm<sup>2</sup> (AWG14)

T2080072101-001	HQ-007-M	HQ-007 MALE INSERT, STAINLESS STEEL SCREW,NO LOGO HQ-007公插,不锈钢螺丝,无LOGO	TYPE-2 类型-2
T2080072101-000	HQ-007-M	HQ-007 MALE INSERT HQ-007公插	TYPE-1 类型-1
PART NUMBER 料号	PART DESCRIPTION 描述		TYPE 类型

THIS DRAWING IS A CONTROLLED DOCUMENT.		DWN 31MAR2015 DAVID LI	 TE Connectivity	
DIMENSIONS: mm		CHK 31MAR2015 CHRIS WANG		
TOLERANCES UNLESS OTHERWISE SPECIFIED:		APVD 31MAR2015 XU XIANG	NAME HQ-007-M	
0 PLC ±-		PRODUCT SPEC 108-137114	SIZE	
1 PLC ±-		APPLICATION SPEC 114-137114	CAGE CODE	
2 PLC ±-		WEIGHT	DRAWING NO	
3 PLC ±-		CUSTOMER DRAWING	RESTRICTED TO	
4 PLC ±-			SCALE 2:1	
ANGLES ±-			SHEET 2 OF 2	
FINISH			REV C	
MATERIAL				

1470-19 (3/13)