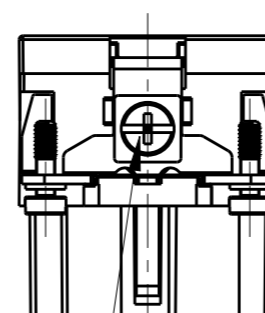
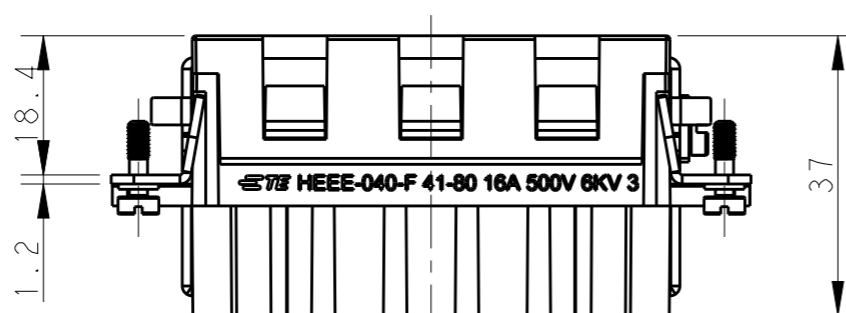
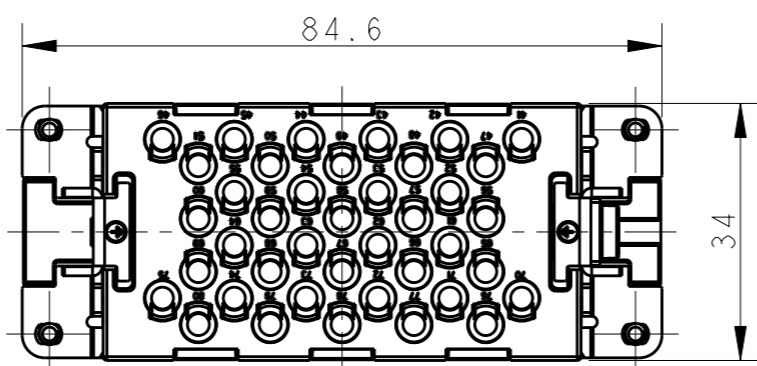
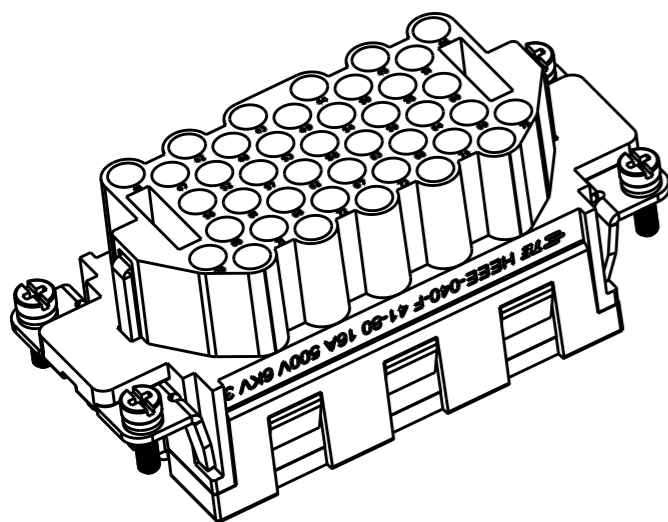


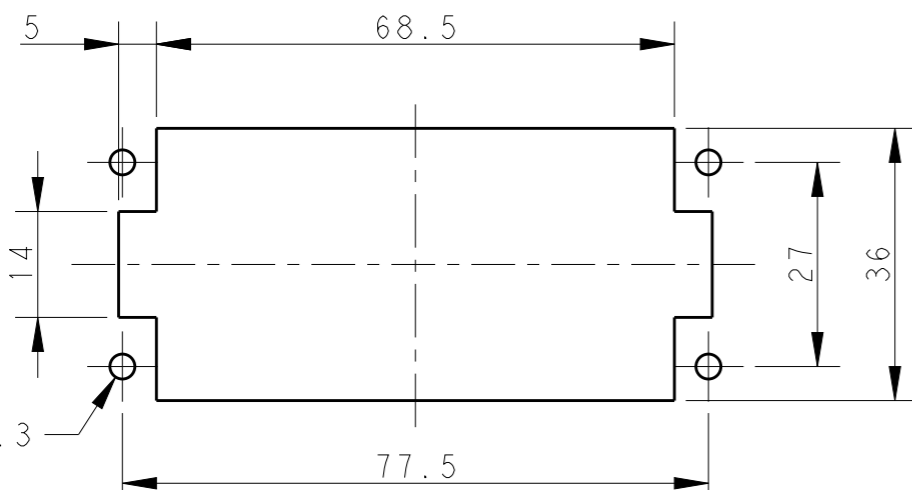
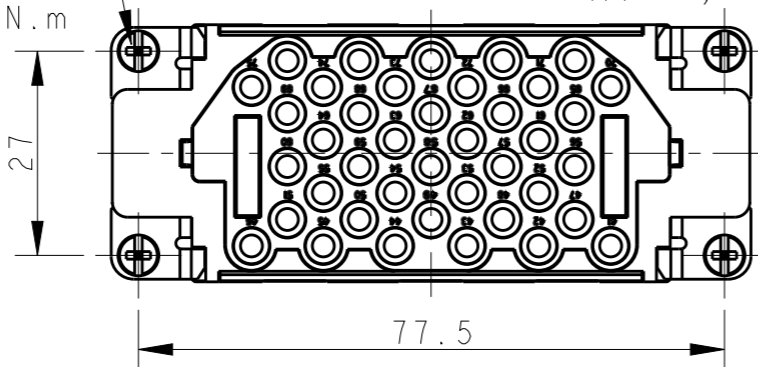
REVISIONS

P	LTR	DESCRIPTION	DATE	DWN	APVD
	A	INITIAL	29AUG2017	YC	CW



4X M3 SCREW, RECOMMENDED
TIGHTENING TORQUE 0.5N.m
4X M3 螺丝, 推荐拧紧力矩0.5N.m

M4 SCREW, RECOMMENDED
TIGHTENING TORQUE 1.2N.m
M4 螺丝, 推荐拧紧力矩1.2N.m



PANEL CUT FOR INSERTS FOR USE
WITHOUT HOODS/ HOUSINGS
不使用防护外壳时芯件安装平面开孔图

NOTES:

- TECHNICAL CHARACTERISTICS:
INSULATION MATERIAL: PC
RATED VOLTAGE: 500V
RATED CURRENT: 16A
INSULATION RESISTANCE: $\geq 400M\Omega$
RATED IMPULSE VOLTAGE: 6KV
POLLUTION DEGREE: 3
FLAMMABILITY: UL94V-0
MATING CYCLES: 500 CYCLES
WIRE RANGE: $0.14mm^2 \sim 4mm^2$ (AWG26-AWG12)
CONTACT TYPE: CRIMP CONTACT
- CONTACTS NEED TO BE ORDERED SEPARATELY.
(ORDER No. REFER TO DRAWING: T20300X20XX000)

注释:

- 技术参数:
绝缘材料: PC
额定电压: 500V
额定电流: 16A
绝缘电阻: $\geq 400M\Omega$
脉冲电压: 6KV
污染等级: 3
阻燃等级: UL94V-0
插拔次数: 500次
接线范围: $0.14mm^2 \sim 4mm^2$ (AWG26-AWG12)
接线类型: 冷压接
- 端子需要单独订购。
(订货号参考图号: T20300X20XX000)

T2050802201-007	HEEE-040-F 41-80	HEEE-040 FEMALE INSERT 41-80 HEEE-040 母插 41-80
PART NUMBER 料号	PART DESCRIPTION 产品描述	

THIS DRAWING IS A CONTROLLED DOCUMENT.

DIMENSIONS:	TOLERANCES UNLESS OTHERWISE SPECIFIED:
mm	
	0 PLC \pm
	1 PLC \pm
	2 PLC \pm
	3 PLC \pm
	4 PLC \pm
	ANGLES \pm
MATERIAL	FINISH
-	-
-	-

DWN	29AUG2017
YORK CHEN	
CHK	29AUG2017
GINO YAO	
APVD	29AUG2017
CHRIS WANG	
PRODUCT SPEC	108-137068
APPLICATION SPEC	114-137068
WEIGHT	-
CUSTOMER DRAWING	

TE Connectivity		NAME		RESTRICTED TO
		HEEE-040-F 41-80		
SIZE	CAGE CODE	DRAWING NO	-	
A3	00779	C-T2050802201007	-	
SCALE		SHEET	OF	REV
1:1		1	1	A