

4

3

2

1

THIS DRAWING IS UNPUBLISHED.

RELEASED FOR PUBLICATION

20

REVISIONS

© COPYRIGHT 20 BY -

ALL RIGHTS RESERVED.

P	LTR	DESCRIPTION	DATE	DWN	APVD
B	ECR-15-015267		19OCT2015	DW	CW
C	ECR-21-111798		02SEP2021	WQR	CW
C1	ECR-22-152753		20SEP2022	WQR	CW
C2	ECR-24-202368		12MAR2024	RW	CW

M4 THREAD
RECOMMENDED
TIGHTENING TORQUE 1.2Nm

NOTES:

1. TECHNICAL CHARACTERISTICS:
 INSULATION MATERIAL: PC
 RATED VOLTAGE: 400V
 RATED CURRENT: 16A
 INSULATION RESISTANCE: $\geq 400M\Omega$
 RATED IMPULSE VOLTAGE: 6KV
 POLLUTION DEGREE: 3
 FLAMMABILITY: UL94V-0
 MATING CYCLES: 500 CYCLES
 OPERATION TEMPERATURE: $-40^{\circ}C \sim +125^{\circ}C$
 WIRE RANGE: $0.14mm^2 \sim 4mm^2$ (AWG26-AWG12)
 CONTACT TYPE: CRIMP CONTACT

2. CONTACTS NEED TO BE ORDERED SEPARATELY.
 (ORDER No. REFER TO DRAWING: T20300X10XX000)

注释:


1. 技术参数:
 绝缘材料: PC
 额定电压: 400V
 额定电流: 16A
 绝缘电阻: $\geq 400M\Omega$
 脉冲电压: 6KV
 污染等级: 3
 阻燃等级: UL94V-0
 插拔次数: 500次
 工作温度: $-40^{\circ}C \sim +125^{\circ}C$
 接线范围: $0.14mm^2 \sim 4mm^2$ (AWG26-AWG12)
 接线类型: 冷压接

2. 端子需要单独订购。
 (订货号参考图面: T20300X10XX000)

4X M3 THREAD, RECOMMENDED
TIGHTENING TORQUE 0.5Nm

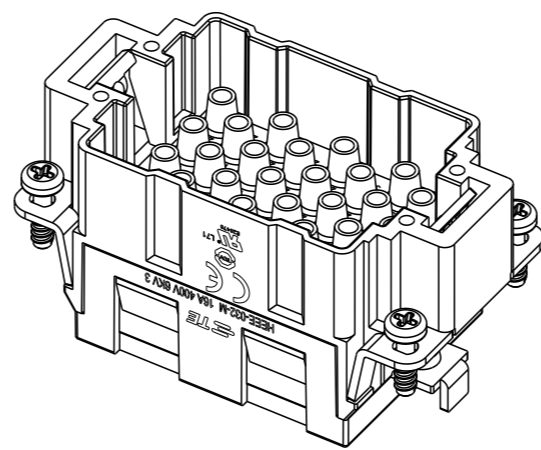
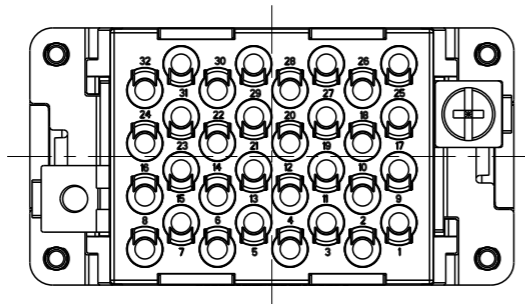
PANEL CUT FOR INSERTS FOR USE
WITHOUT HOODS/ HOUSINGS

TYPE 1, T2050323101-000 T2050323101-001
 类型 1, T2050323101-000 T2050323101-001

THIS DRAWING IS A CONTROLLED DOCUMENT.		DWN 18DEC2014 RAGHAVENDRA H M	 TE Connectivity													
DIMENSIONS: mm		CHK 18DEC2014 CHRIS WANG			NAME HEEE-032-M											
TOLERANCES UNLESS OTHERWISE SPECIFIED:		APVD 18DEC2014 XU XIANG	PRODUCT SPEC 108-137068	RESTRICTED TO												
<table border="1"> <tr> <td>0 PLC</td> <td>±-</td> </tr> <tr> <td>1 PLC</td> <td>±-</td> </tr> <tr> <td>2 PLC</td> <td>±-</td> </tr> <tr> <td>3 PLC</td> <td>±-</td> </tr> <tr> <td>4 PLC</td> <td>±-</td> </tr> <tr> <td>ANGLES</td> <td>±-</td> </tr> </table>		0 PLC	±-	1 PLC	±-	2 PLC	±-	3 PLC	±-	4 PLC	±-	ANGLES	±-	APPLICATION SPEC 114-137068	SIZE A3	CAGE CODE 00779
0 PLC	±-															
1 PLC	±-															
2 PLC	±-															
3 PLC	±-															
4 PLC	±-															
ANGLES	±-															
MATERIAL		WEIGHT	DRAWING NO T2050323101000													
-		-	SCALE 1:1													
-		-	SHEET 1 OF 2													
		Customer Drawing	REV C2													

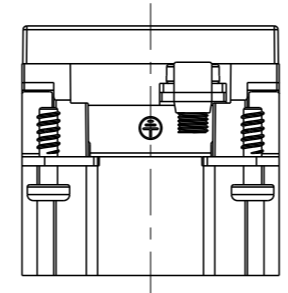
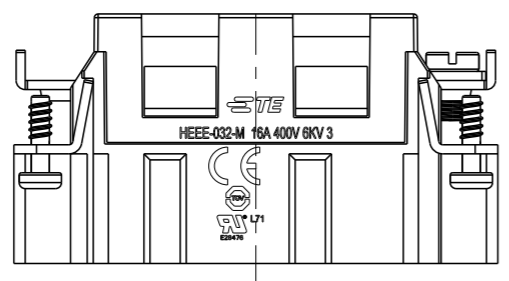
1470-19 (3/13)

P	LTR	DESCRIPTION	DATE	DWN	APVD
-	-	SEE SHEET 1	-	-	-

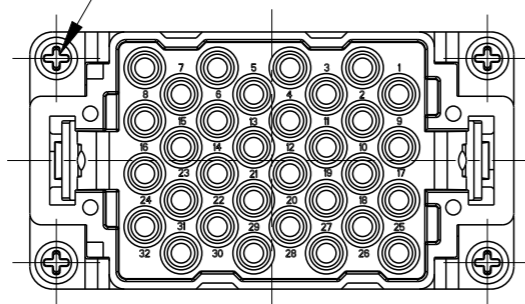


NOTES:
4X M3 SELF-TAPPING SCREW SEE THIS SHEET,
OTHER SPEC REFER TO TYPE 1.

注释:
4X M3 自攻螺丝参照此页, 其余产品规范参照类型 1.




4X M3 SELF-TAPPING SCREW, RECOMMENDED
TIGHTENING TORQUE 1.2~1.5N.m
4X M3 自攻螺丝, 推荐拧紧力矩 1.2~1.5N.m



TYPE 2, T2050323101-002
类型 2, T2050323101-002

T2050323101-002	HEEE-032-M	HEEE-032 MALE INSERT, SELF-TAPPING HEEE-032公插, 自攻螺丝	TYPE-2 类型-2
T2050323101-001	HEEE-032-M	HEEE-032 MALE INSERT WITH STAINLESS STEEL SCREW HEEE-032公插, 带不锈钢螺丝	TYPE-1 类型-1
T2050323101-000	HEEE-032-M	HEEE-032 MALE INSERT HEEE-032公插	TYPE-1 类型-1
PART NUMBER 料号	PART DESCRIPTION 描述		TYPE 类型

THIS DRAWING IS A CONTROLLED DOCUMENT.		DWN 18DEC2014 RAGHAVENDRA H M	 TE Connectivity	
DIMENSIONS: mm		CHK 18DEC2014 CHRIS WANG		
TOLERANCES UNLESS OTHERWISE SPECIFIED:		APVD 18DEC2014 XU XIANG	PRODUCT SPEC 108-137068	
0 PLC ±-		APPLICATION SPEC 114-137068	SIZE A3	CAGE CODE 00779
1 PLC ±-		WEIGHT -	DRAWING NO T2050323101000	
2 PLC ±-		Customer Drawing	RESTRICTED TO -	
3 PLC ±-		SCALE 1:1	SHEET 2 OF 2	
4 PLC ±-			REV C2	
ANGLES ±-				
FINISH -				