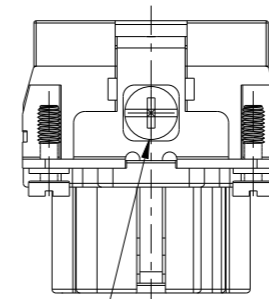
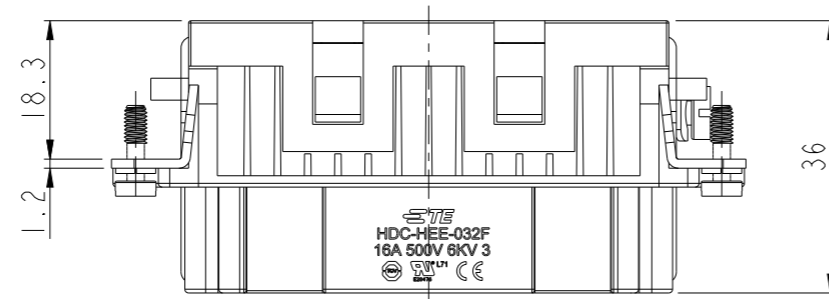
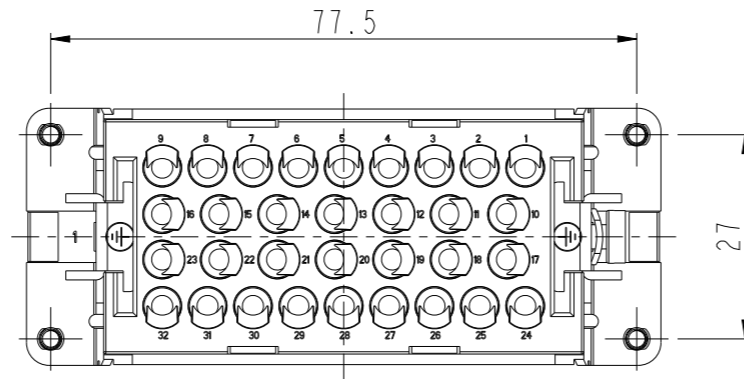
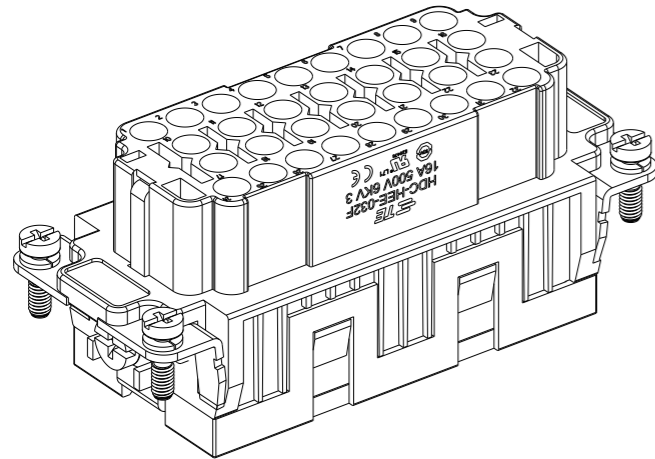
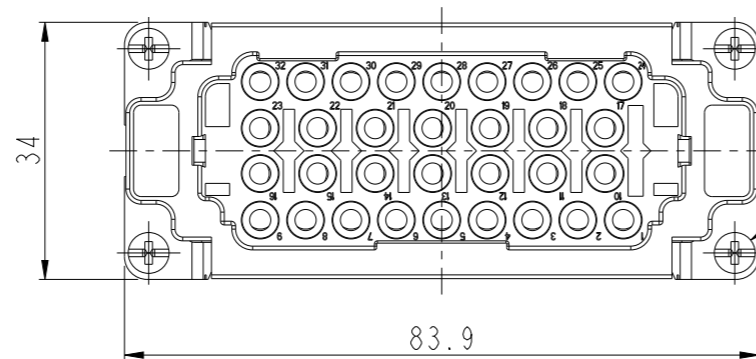


P	LTR	DESCRIPTION	DATE	DWN	APVD
	A	INITIAL	19SEP2017	QY	CW
	B	ECR-21-108559	06AUG2021	BS	CW



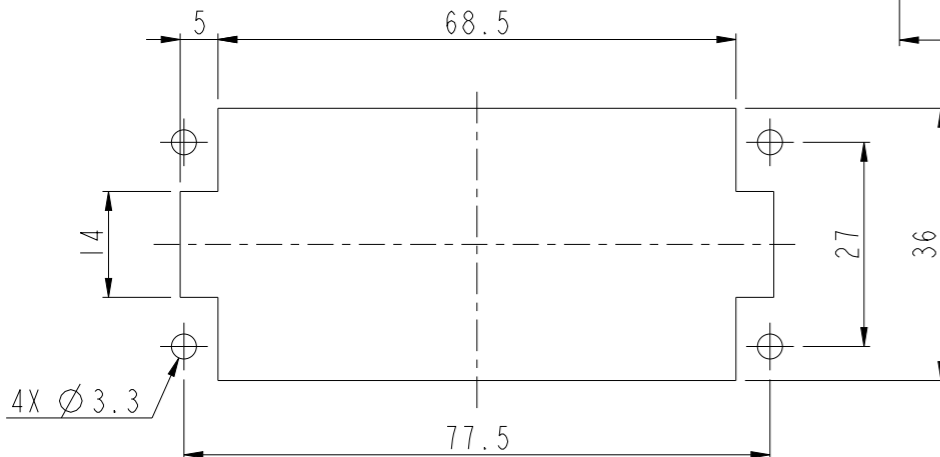
M4 SCREW,
RECOMMENDED
TIGHTENING TORQUE 1.2Nm
M4螺丝, 推荐锁紧力矩 1.2Nm



4X M3 SCREW, RECOMMENDED
TIGHTENING TORQUE 0.5Nm
4X M3螺丝, 推荐锁紧力矩 0.5Nm

- NOTES:
- TECHNICAL CHARACTERISTICS:
INSULATION MATERIAL: PC
RATED VOLTAGE: 500 V
RATED CURRENT: 16 A
INSULATION RESISTANCE: $\geq 400M\Omega$
RATED IMPULSE VOLTAGE: 6 KV
POLLUTION DEGREE: 3
FLAMMABILITY: UL94V-0
MATING CYCLES: 500 CYCLES
WIRE RANGE: 0.14-4 mm² (26-12 AWG)
CONTACT TYPE: CRIMP CONTACT
 - CONTACT NEED TO BE ORDERED SEPARATELY.
(ORDER No. REFER TO DRAWING: T20300X20XX000)

- 注释:
- 技术参数:
绝缘材料: PC
额定电压: 500V
额定电流: 16A
绝缘电阻: $\geq 400M\Omega$
额定脉冲电压: 6 KV
污染等级: 3
阻燃等级: UL94V-0
插拔次数: 500次
接线范围: 0.14-4 mm² (26-12 AWG)
接线类型: 冷压接
 - 端子需要单独订购.
(订货号参考图面: T20300X20XX000)



PANEL CUT FOR INSERTS FOR USE
WITHOUT HOODS/ HOUSINGS
不使用防护外壳时芯件的安装开孔图

THIS DRAWING IS A CONTROLLED DOCUMENT.		DWN	19SEP2017	TE Connectivity	
		CHK	19SEP2017		
		APVD	19SEP2017		
		NAME	CHRIS WANG		
DIMENSIONS: mm		PRODUCT SPEC		NAME HEE-032-F	
TOLERANCES UNLESS OTHERWISE SPECIFIED:		APPLICATION SPEC		SIZE	
0 PLC ±-		108-106137		CAGE CODE	
1 PLC ±-		114-106137		DRAWING NO	
2 PLC ±-		WEIGHT		RESTRICTED TO	
3 PLC ±-		-		A3	
4 PLC ±-		CUSTOMER DRAWING		00779	
ANGLES ±-		SCALE		DRAWING NO	
FINISH		1:1		C-T2050322201002	
-		SHEET		REV	
-		1 OF 1		B	