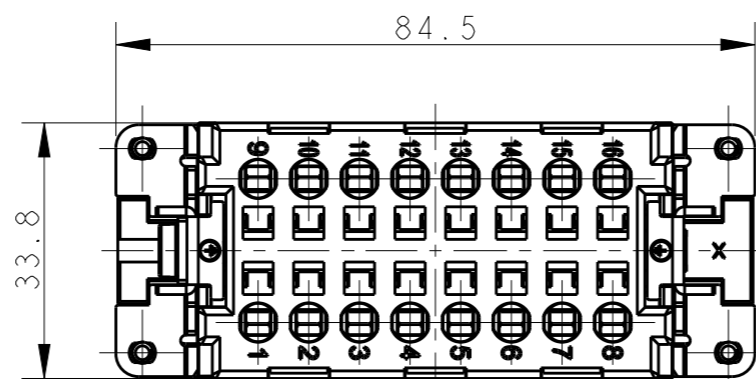
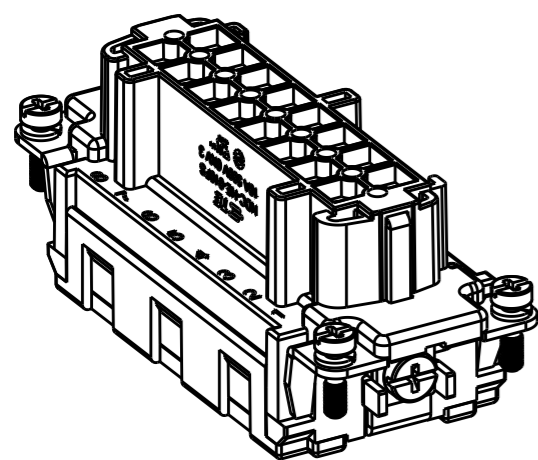
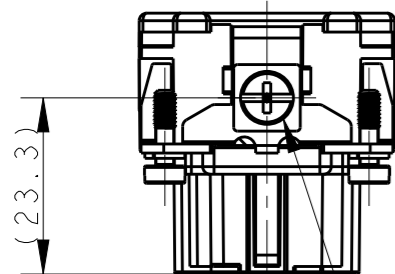


REVISIONS

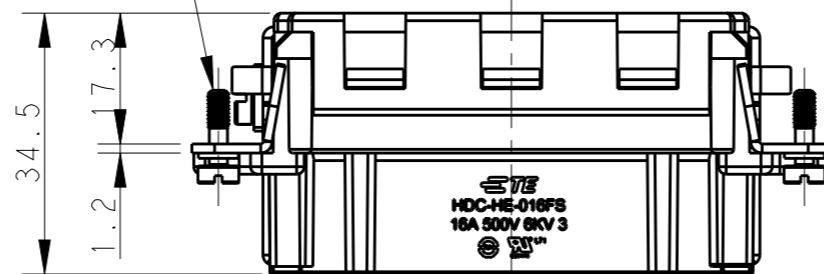
P	LTR	DESCRIPTION	DATE	DWN	APVD
	A	INITIAL	20OCT2016	RL	CW



4XM3 SCREW, RECOMMENDED  
TIGHTENING TORQUE 0.5Nm  
4XM3螺丝, 推荐扭力矩为 0.5Nm

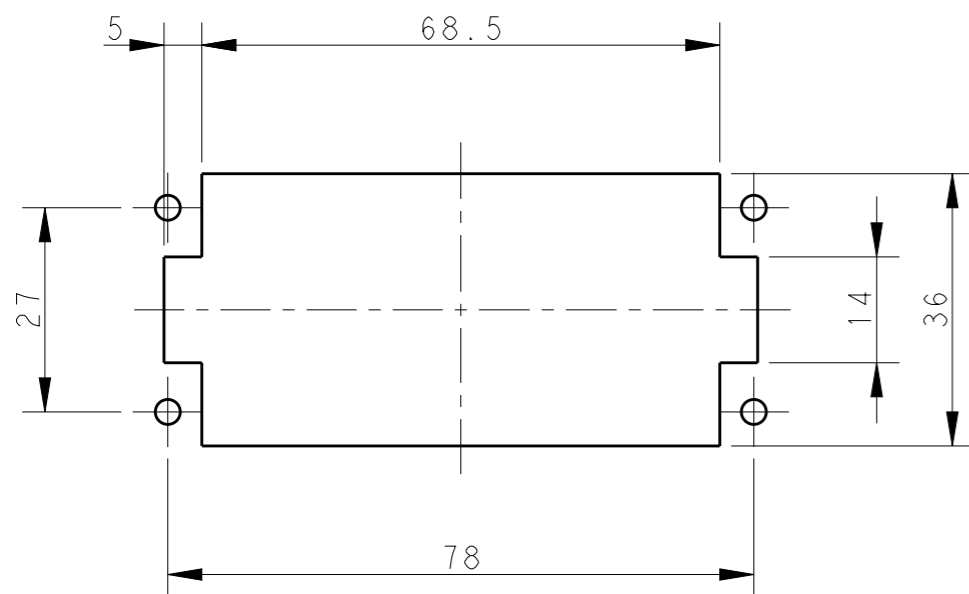
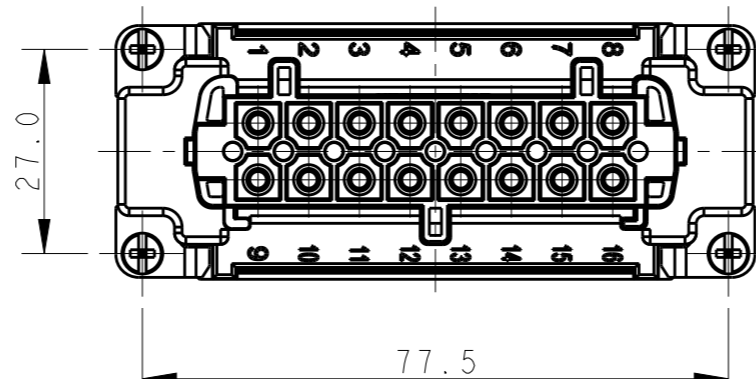


M4 SCREW, RECOMMENDED  
TIGHTENING TORQUE 1.2Nm  
M4螺丝, 推荐扭力矩为 1.2Nm




NOTES:  
1. TECHNICAL CHARACTERISTICS:  
INSULATION MATERIAL: PC  
RATED VOLTAGE: 500V  
RATED CURRENT: 16A  
INSULATION RESISTANCE:  $\geq 400M\Omega$   
RATED IMPULSE VOLTAGE: 6KV  
POLLUTION DEGREE: 3  
FLAMMABILITY: UL94V-0  
MATING CYCLES: 500 CYCLES  
WIRE RANGE:  $0.5mm^2 \sim 2.5mm^2$  (AWG20-AWG14)  
CONTACT FINISH: SILVER PLATED  
CONTACT TYPE: SPRING CLAMP

注释:  
1. 技术参数:  
绝缘材料: PC  
额定电压: 500V  
额定电流: 16A  
绝缘电阻:  $\geq 400M\Omega$   
脉冲电压: 6KV  
污染等级: 3  
阻燃等级: UL94V-0  
插拔次数: 500 次  
接线范围:  $0.5mm^2 \sim 2.5mm^2$  (AWG20-AWG14)  
端子表面处理: 镀银  
接线类型: 弹片压接



PANEL CUT OUT FOR INSERTS FOR  
USE WITHOUT HOODS/HOUSING  
不使用防护外壳时芯件的安装开孔图

T2040163201-008	HE-016-FS	HE-010 FEMALE INSERT, STAINLESS STEEL SCREW, SPRING CLAMP, ENVISION HE-010 母插, 带不锈钢螺丝, 弹片, 远景
PART NUMBER 料号	PART DESCRIPTION 描述	

THIS DRAWING IS A CONTROLLED DOCUMENT.		DWN ROY LIU 20OCT2016	 TE Connectivity NAME HE-016-FS			
DIMENSIONS: mm		CHK KYLE ZENG 20OCT2016				
TOLERANCES UNLESS OTHERWISE SPECIFIED:		APVD CHRIS WANG 20OCT2016				
0 PLC ±- 1 PLC ±- 2 PLC ±- 3 PLC ±- 4 PLC ±- ANGLES ±-		PRODUCT SPEC 108-137044				
MATERIAL	FINISH	APPLICATION SPEC 114-137044	SIZE A3	CAGE CODE -	DRAWING NO T2040163201008	RESTRICTED TO ENVISION
CUSTOMER DRAWING		WEIGHT -	SCALE 1:1		SHEET 1 OF 1	REV A