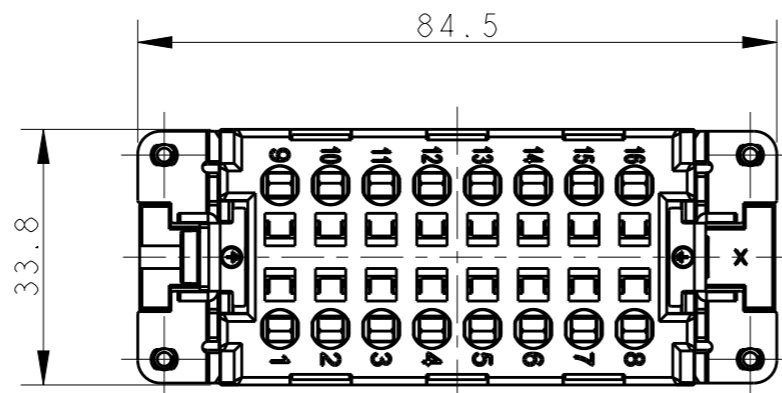
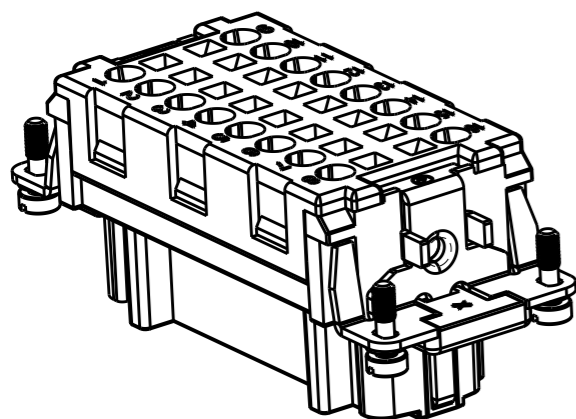


REVISIONS

| P | LTR | DESCRIPTION | DATE | DWN | APVD |
|---|-----|---------------|-----------|-----|------|
| | B | INITIAL | 16NOV2017 | RL | CW |
| | B1 | ECR-17-017888 | 15DEC2017 | RL | CW |

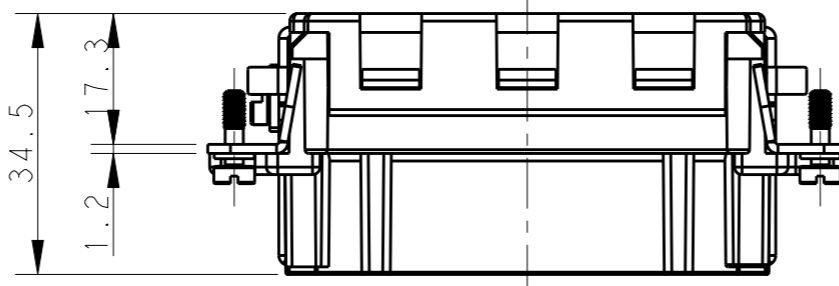
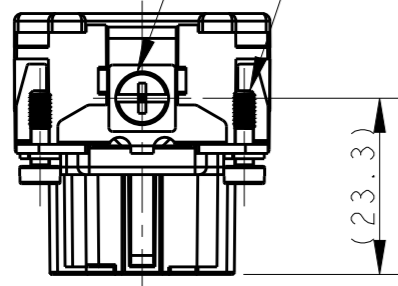


NOTES:

1. TECHNICAL CHARACTERISTICS:
 INSULATION MATERIAL: PC
 RATED VOLTAGE: 500V
 RATED CURRENT: 16A
 INSULATION RESISTANCE: $\geq 400M\Omega$
 RATED IMPULSE VOLTAGE: 6KV
 POLLUTION DEGREE: 3
 FLAMMABILITY: UL94V-0
 MATING CYCLES: 500 CYCLES
 WIRE RANGE: 0.5mm²~2.5mm² (AWG20-AWG14)
 CONTACT FINISH: SILVER PLATED
 CONTACT TYPE: SPRING CLAMP

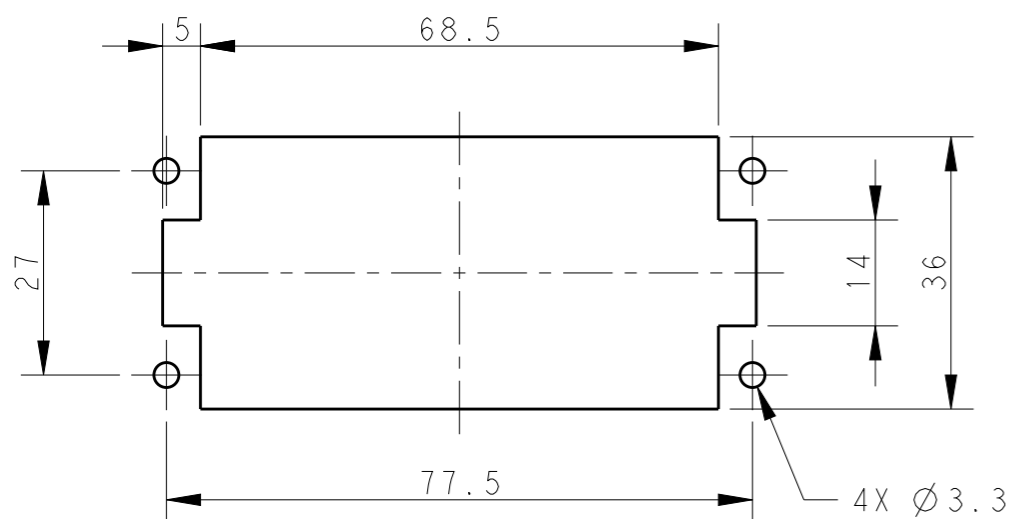
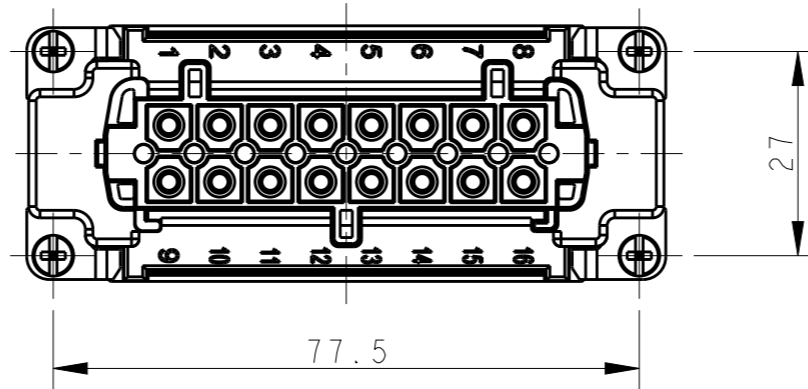
M4 SCREW, RECOMMENDED TIGHTENING TORQUE 1.2Nm
 M4 螺丝, 推荐扭力矩为 1.2Nm

4 X M3 SCREW RECOMMENDED TIGHTENING TORQUE 0.5Nm
 4 X M3 螺丝, 推荐扭力矩为 0.5Nm




注释:

1. 技术参数:
 绝缘材料: PC
 额定电压: 500V
 额定电流: 16A
 绝缘电阻: $\geq 400M\Omega$
 脉冲电压: 6KV
 污染等级: 3
 阻燃等级: UL94V-0
 插拔次数: 500 次
 接线范围: 0.5mm²~2.5mm² (AWG20-AWG14)
 端子表面处理: 镀银
 接线类型: 弹片压接



PANEL CUT OUT FOR INSERTS FOR USE WITHOUT HOODS/HOUSING
 不使用防护外壳时芯件的安装开孔图

| | | |
|-------------------|-----------|--|
| T2040163201-002 | HE-016-FS | HE-016 FEMALE INSERT, SPRING CLAMP, NO LOGO HE-016母插, 弹片, 无LOGO |
| PART NUMBER 料号 | | PART DESCRIPTION 描述 |

| | | | | | | |
|---|--|--------------------------------|---|--------------------|------------------------------|---------------|
| THIS DRAWING IS A CONTROLLED DOCUMENT. | | DWN 16NOV2017 ROY LIU |  TE Connectivity | | | |
| DIMENSIONS: mm | | CHK 16NOV2017 GINO YAO | | | NAME HE-016-FS | |
| TOLERANCES UNLESS OTHERWISE SPECIFIED: | | APVD 16NOV2017 CHRIS WANG | | | | |
| 0 PLC ±- 1 PLC ±- 2 PLC ±- 3 PLC ±- 4 PLC ±- ANGLES ±- | | PRODUCT SPEC 108-137044 | | | | |
| MATERIAL | | APPLICATION SPEC 114-137044 | SIZE A3 | CAGE CODE 00779 | DRAWING NO T2040163201002 | RESTRICTED TO |
| | | WEIGHT | SCALE 1:1 | | SHEET 1 OF 1 | REV B1 |
| | | CUSTOMER DRAWING | | | | |