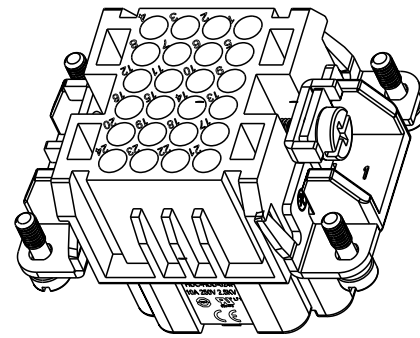
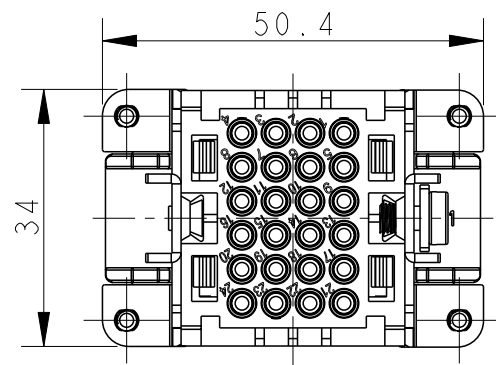


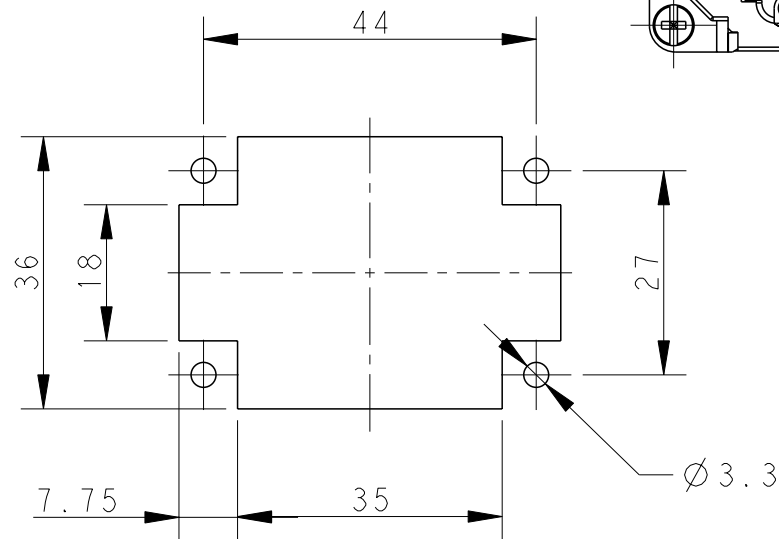
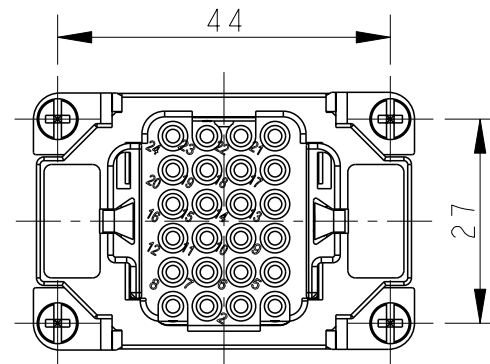
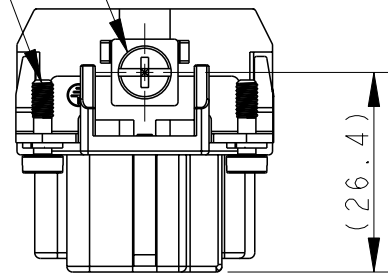
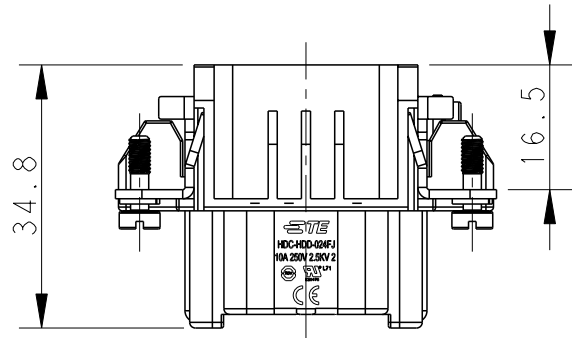
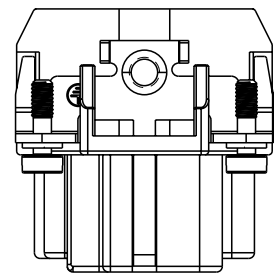
REVISIONS

P	LTR	DESCRIPTION	DATE	DWN	APVD
A		INITIAL RELEASE	19MAR2015	DL	CW
B		ECR-15-013292	24SEP2015	DL	CW
C		ECR-21-105887	26JUL2021	BS	CW



M4 SCREW
RECOMMENDED TIGHTENING TORQUE 1.2Nm

4 X M3 SCREW
RECOMMENDED TIGHTENING TORQUE 0.5Nm



PANEL CUT OUT FOR INSERTS FOR USING WITHOUT HOODS/HOUSINGS


NOTES:

- TECHNICAL CHARACTERISTICS:
INSULATION MATERIAL: PC
RATED VOLTAGE: 250 V
RATED CURRENT: 10 A
INSULATION RESISTANCE: $\geq 400M\Omega$
RATED IMPULSE VOLTAGE: 2.5 KV
POLLUTION DEGREE: 2
FLAMMABILITY: UL94V-0
MATING CYCLES: 500 CYCLES
WIRE RANGE: 0.14-2.5 mm² (26-14 AWG)
CONTACT TYPE: ROLLED CRIMP CONTACT
- CONTACT NEED TO BE ORDERED SEPARATELY.

注释:

- 技术参数:
绝缘材料: PC
额定电压: 250V
额定电流: 10A
绝缘电阻: $\geq 400M\Omega$
额定脉冲电压: 2.5 KV
污染等级: 2
阻燃等级: UL94V-0
插拔次数: 500次
接线范围: 0.14-2.5 mm² (26-14 AWG)
接线类型: 卷皮式冷压接
- 端子需要单独订购.

HDD-024-FJ	T2030243201-000
DESCRIPTION	PART NUMBER

THIS DRAWING IS A CONTROLLED DOCUMENT.		DWN	DAVID LI	18MAR2015	 TE Connectivity NAME HDD-024-FJ	
DIMENSIONS: mm		CHK	CHRIS WANG	18MAR2015		
TOLERANCES UNLESS OTHERWISE SPECIFIED:		APVD	XU XIANG	18MAR2015		
0 PLC ±- 1 PLC ±- 2 PLC ±- 3 PLC ±- 4 PLC ±- ANGLES ±-		PRODUCT SPEC	108-137043			
MATERIAL	-	APPLICATION SPEC	114-137043		SIZE	A3
		FINISH	-		CAGE CODE	-
			-		DRAWING NO	©-T2030243201000
			-		RESTRICTED TO	
			-		WEIGHT	-
			-		CUSTOMER DRAWING	SCALE 1:1
			-			SHEET 1 OF 1
			-			REV C

printed on 27 Jul 2021 16:22 (China Standard Time) from TE236667