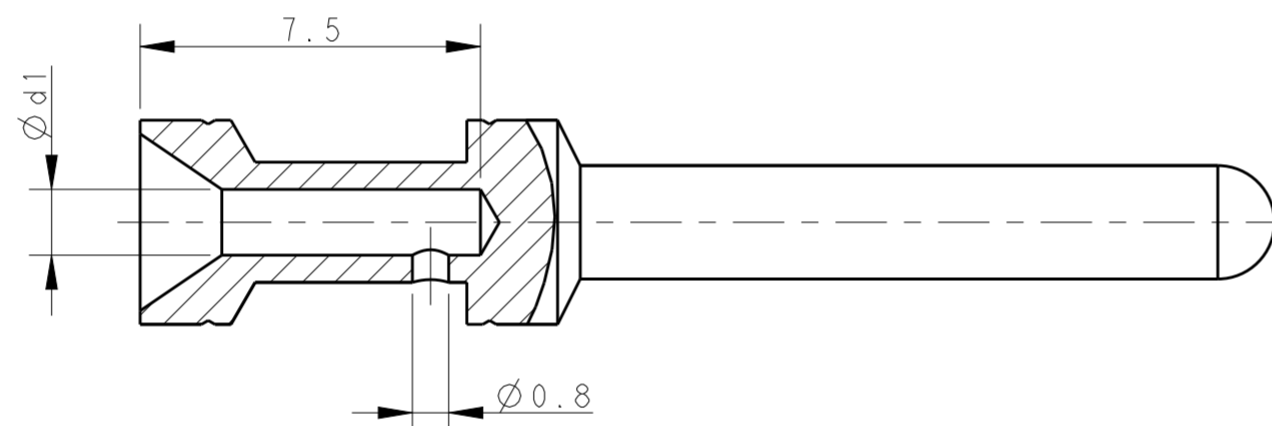
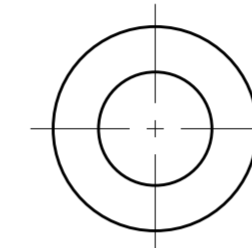
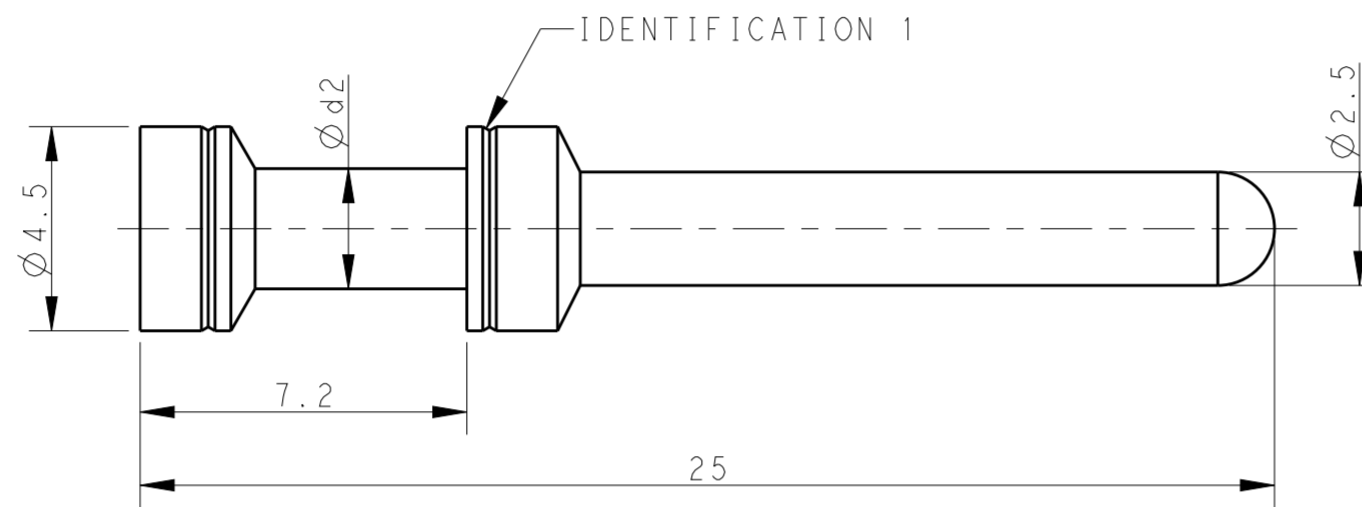
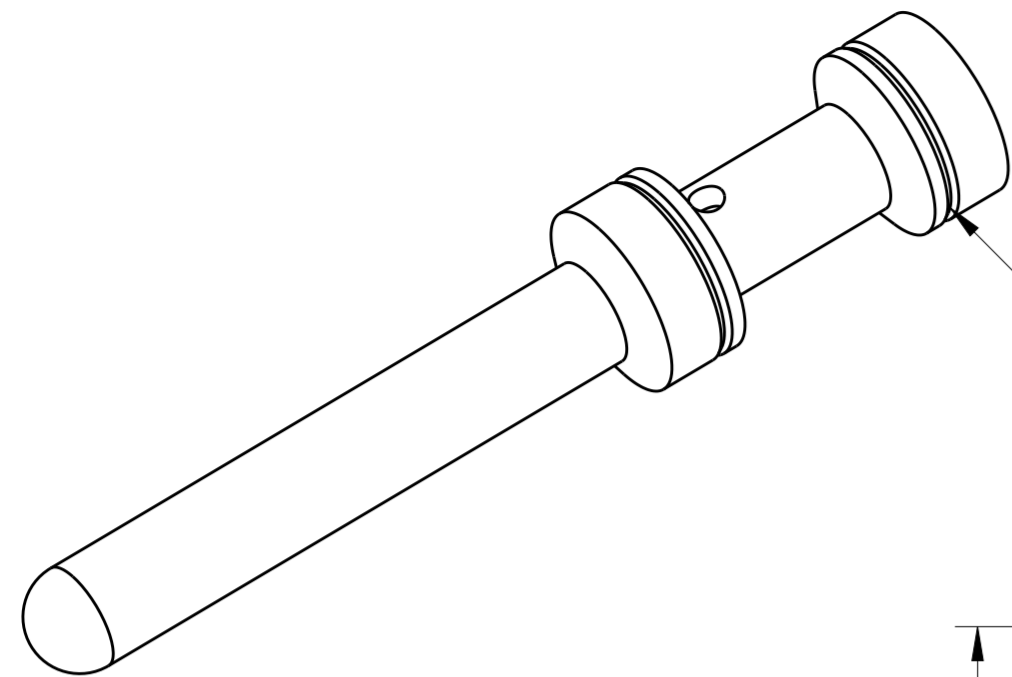


THIS DRAWING IS UNPUBLISHED. RELEASED FOR PUBLICATION 20
 © COPYRIGHT 20 BY - ALL RIGHTS RESERVED.

REVISIONS				
P	LTR	DESCRIPTION	DATE	APVD
	A	INITIAL RELEASE	31MAY2018	DW CW



NOTES:
 1. TECHNICAL CHARACTERISTICS:
 CONTACT MATERIAL: BRASS
 SURFACE PLATING:
 GOLD PLATING: $\geq 0.125\mu\text{m}$
 CONTACT RESISTANCE: $\leq 5\text{ m}\Omega$
 WIRE RANGE: 0.14-4 mm² (26-12 AWG)
 OPERATION TEMPERATURE: -40-+125°C

注释:
 1. 技术参数:
 公针材料: 黄铜
 表面电镀:
 镀金: $\geq 0.125\mu\text{m}$
 接触电阻: $\leq 5\text{ m}\Omega$
 接线范围: 0.14-4 mm² (26-12 AWG)
 工作温度: -40-+125°C

PART NUMBER 料号	GOLD PLATING 镀金		d1	d2	WIRE GAUGE		STRIPPING LENGTH (mm)	IDENTIFICATION 1 (NUMBER OF GROOVES)	IDENTIFICATION 2 (NUMBER OF GROOVES)
	PART DESCRIPTION 描述				MM ²	AWG			
T2030021002-000	DEM-T-0.3	DEM-T-0.3, GOLD PLATING EE公针 0.14-0.37mm ² , 镀金	0.90	2.50	0.14-0.37	26-22	7.5	1 GROOVE	1 GROOVE
T2030021005-000	DEM-T-0.5	DEM-T-0.5, GOLD PLATING EE公针 0.5mm ² , 镀金	1.15	2.50	0.5	20		NO GROOVE	NO GROOVE
T2030021008-000	DEM-T-0.75	DEM-T-0.75, GOLD PLATING EE公针 0.75mm ² , 镀金	1.30	2.50	0.75	18		NO GROOVE	1 GROOVE
T2030021010-000	DEM-T-1.0	DEM-T-1.0, GOLD PLATING EE公针 1.0mm ² , 镀金	1.45	2.65	1.0	18		1 GROOVE	NO GROOVE
T2030021015-000	DEM-T-1.5	DEM-T-1.5, GOLD PLATING EE公针 1.5mm ² , 镀金	1.75	3.00	1.5	16		2 GROOVES	NO GROOVE
T2030021025-000	DEM-T-2.5	DEM-T-2.5, GOLD PLATING EE公针 2.5mm ² , 镀金	2.25	3.45	2.5	14		3 GROOVES	NO GROOVE
T2030021030-000	DEM-T-3.0	DEM-T-3.0, GOLD PLATING EE公针 3.0mm ² , 镀金	2.55	3.75	3.0	12		1 WIDE GROOVE	1 GROOVE
T2030021040-000	DEM-T-4.0	DEM-T-4.0, GOLD PLATING EE公针 4.0mm ² , 镀金	2.85	3.85	4.0	12		NO GROOVE	NO GROOVE

THIS DRAWING IS A CONTROLLED DOCUMENT.

DWN DAVID WANG 31MAY2018	TE Connectivity
CHK GINO YAO 31MAY2018	
APVD CHRIS WANG 31MAY2018	
PRODUCT SPEC 108-106137	
APPLICATION SPEC 114-106137	NAME CEM/DEM HEE PIN CONTACT
RESTRICTED CUSTOMER	SIZE A2 CAGE CODE 00779 DRAWING NO. T20300210XX000 RESTRICTED TO
SCALE 6:1	SHEET 1 OF 1 REV A