

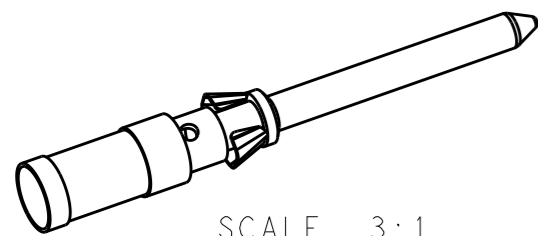
THIS DRAWING IS UNPUBLISHED.

RELEASED FOR PUBLICATION 20

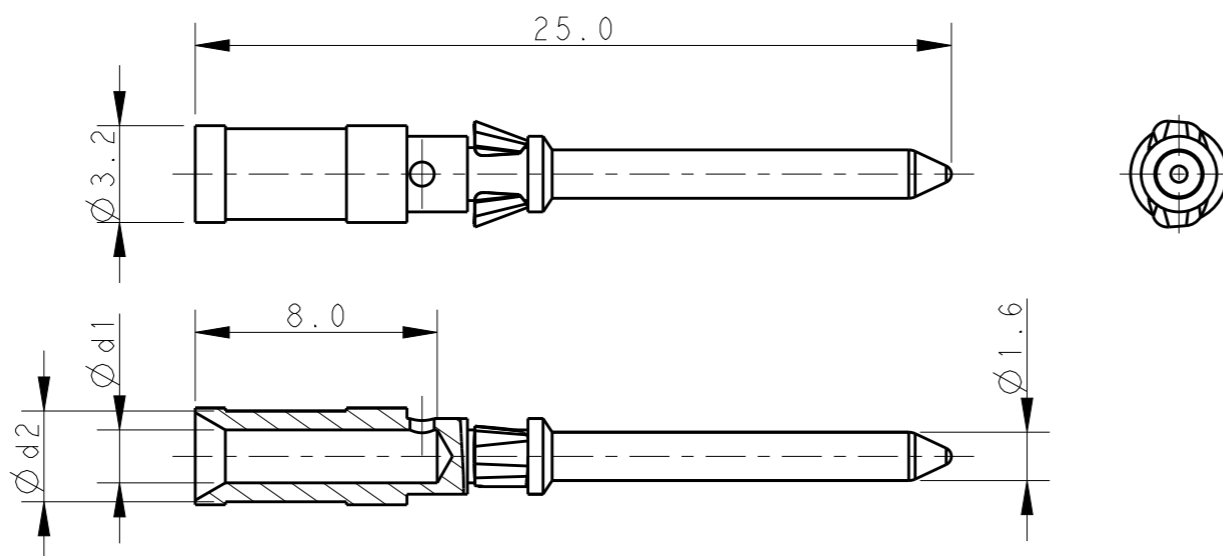
© COPYRIGHT 20 BY - ALL RIGHTS RESERVED.

REVISIONS

P	LTR	DESCRIPTION	DATE	DWN	APVD
	A	INITIAL	20OCT2016	RL	CW

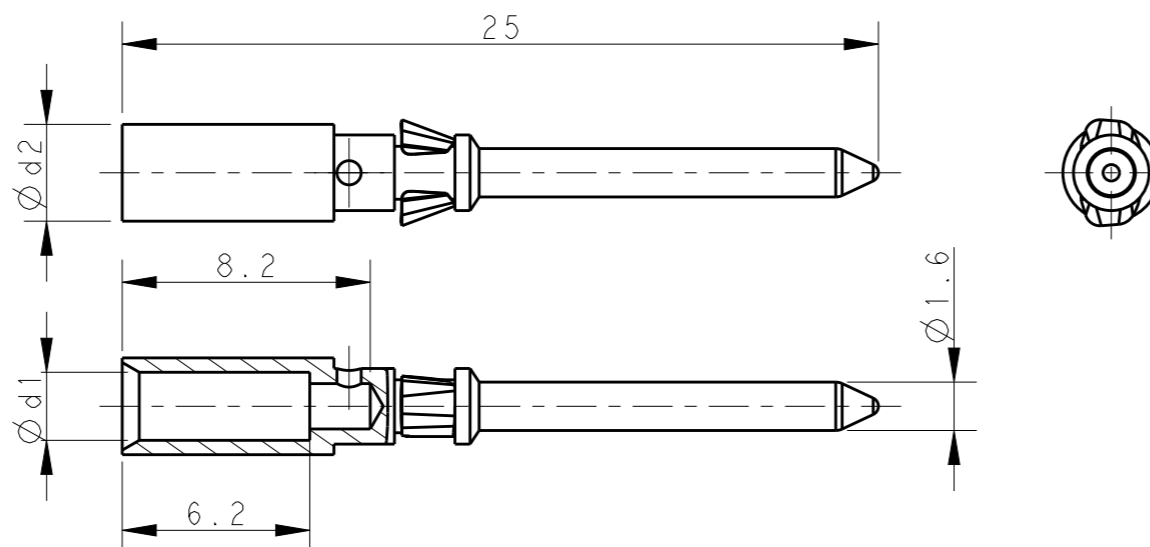


1) $\varnothing d1 = 0.90, 1.10, 1.30, 1.45, 1.75$



NOTES:
 1. TECHNICAL CHARACTERISTICS:
 PIN CONTACT MATERIAL: BRASS
 SURFACE PLATING:
 SILVER PLATING: $\geq 2\mu m$
 GOLD PLATING: $\geq 0.75\mu m$
 CONTACT RESISTANCE: $\leq 5 m\Omega$
 WIRE RANGE: 0.14-2.5 mm² (26-14 AWG)

2) $\varnothing d1 = 2.25$



注释:
 1. 技术参数:
 公针材料: 黄铜
 表面电镀:
 镀银: $\geq 2\mu m$
 镀金: $\geq 0.75\mu m$
 接触电阻: $\leq 5 m\Omega$
 接线范围: 0.14-2.5 mm² (26-14 AWG)

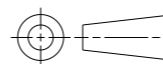
SILVER PLATING 镀银			GOLD PLATING 镀金			$\varnothing d1$	$\varnothing d2$	WIRE GAUGE 线规		STRIPPING LENGTH 剥线长度 (mm)
PART NUMBER 料号	CDM	PART DESCRIPTION 描述	PART NUMBER 料号	DDM	PART DESCRIPTION 描述			MM ²	AWG	
T2020001002-008	CDM-0.3	CDM-0.3, SILVER PLATING, ENVISION DD公针 0.14-0.37mm ² , 镀银, 远景	T2020011002-008	DDM-0.3	DDM-0.3, GOLD PLATING, ENVISION DD公针 0.14-0.37mm ² , 镀金, 远景	0.90	2.55	0.14-0.37	26-22	8
T2020001005-008	CDM-0.5	CDM-0.5, SILVER PLATING, ENVISION DD公针 0.5mm ² , 镀银, 远景	T2020011005-008	DDM-0.5	DDM-0.5, GOLD PLATING, ENVISION DD公针 0.5mm ² , 镀金, 远景	1.10	2.60	0.5	20	
T2020001008-008	CDM-0.75	CDM-0.75, SILVER PLATING, ENVISION DD公针 0.75mm ² , 镀银, 远景	T2020011008-008	DDM-0.75	DDM-0.75, GOLD PLATING, ENVISION DD公针 0.75mm ² , 镀金, 远景	1.30	2.60	0.75	18	
T2020001010-008	CDM-1.0	CDM-1.0, SILVER PLATING, ENVISION DD公针 1.0mm ² , 镀银, 远景	T2020011010-008	DDM-1.0	DDM-1.0, GOLD PLATING, ENVISION DD公针 1.0mm ² , 镀金, 远景	1.45	2.60	1.0	18	
T2020001015-008	CDM-1.5	CDM-1.5, SILVER PLATING, ENVISION DD公针 1.5mm ² , 镀银, 远景	T2020011015-008	DDM-1.5	DDM-1.5, GOLD PLATING, ENVISION DD公针 1.5mm ² , 镀金, 远景	1.75	3.00	1.5	16	
T2020001025-008	CDM-2.5	CDM-2.5, SILVER PLATING, ENVISION DD公针 2.5mm ² , 镀银, 远景	T2020011025-008	DDM-2.5	DDM-2.5, GOLD PLATING, ENVISION DD公针 2.5mm ² , 镀金, 远景	2.25	3.20	2.5	14	6.2

THIS DRAWING IS A CONTROLLED DOCUMENT.

DWN 20OCT2016
 ROY LIU
 CHK 20OCT2016
 KYLE ZENG
 APVD 20OCT2016
 CHRIS WANG



DIMENSIONS: mm
 TOLERANCES UNLESS OTHERWISE SPECIFIED:



0 PLC ±-
 1 PLC ±-
 2 PLC ±-
 3 PLC ±-
 4 PLC ±-
 ANGLES ±-

PRODUCT SPEC 108-137042
 APPLICATION SPEC 114-137042

NAME CDM/DDM HD/HDD PIN CONTACT

MATERIAL - FINISH -

WEIGHT -
 CUSTOMER DRAWING

SIZE A3 CAGE CODE - DRAWING NO. T20200X10XX008 RESTRICTED TO ENVISION
 SCALE 4:1 SHEET 1 OF 1 REV A