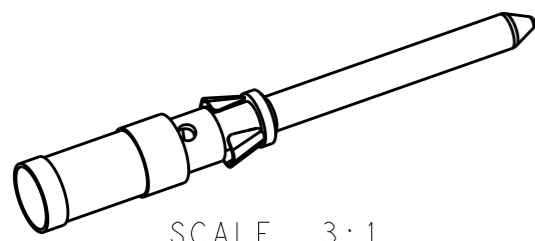
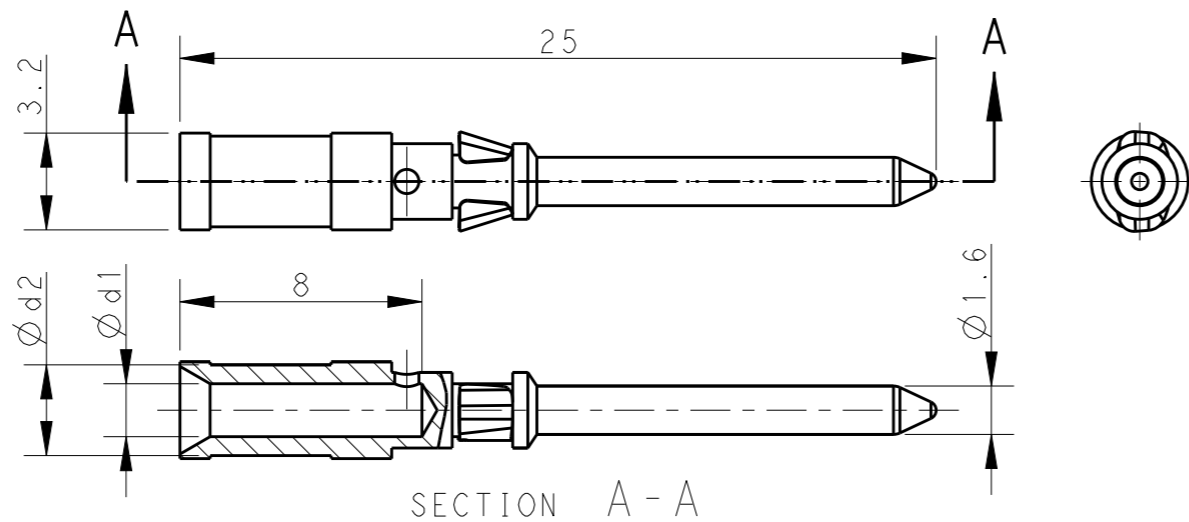


REVISIONS

P	LTR	DESCRIPTION	DATE	DWN	APVD
	A	INITIAL RELEASE	30MAY2018	DW	CW



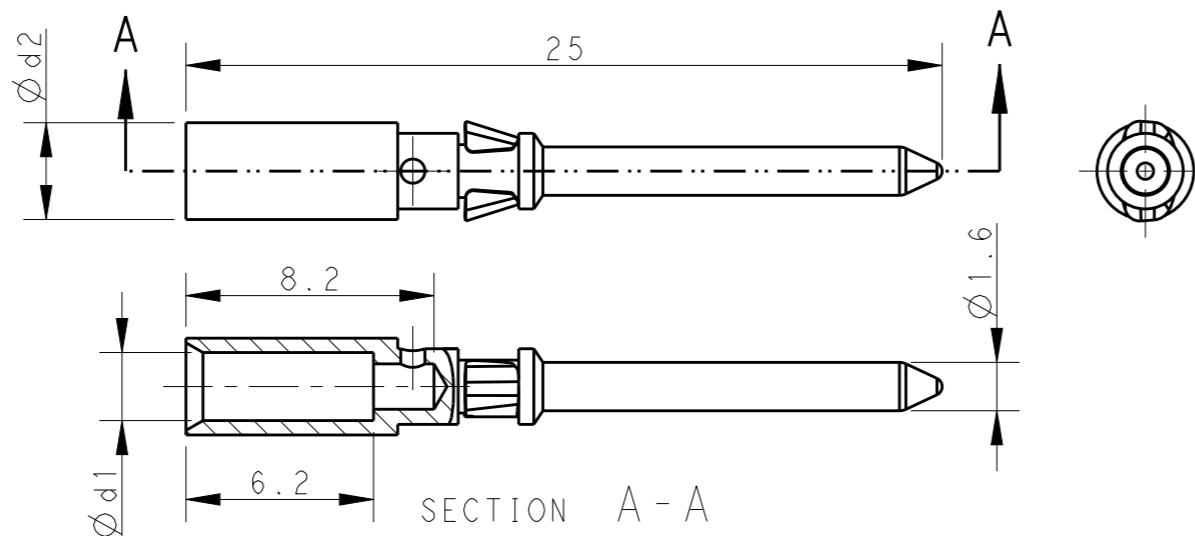
1) $\phi d1 = 0.90, 1.10, 1.30, 1.45, 1.75$



NOTES:

- 1. TECHNICAL CHARACTERISTICS:
 PIN CONTACT MATERIAL: BRASS
 SURFACE PLATING:
 GOLD PLATING: $\geq 0.125\mu m$
 CONTACT RESISTANCE: $\leq 5 m\Omega$
 WIRE RANGE: $0.14-2.5 mm^2$ (26-14 AWG)
 OPERATION TEMPERATURE: $-40-+125^\circ C$

2) $\phi d1 = 2.25$



注释:

- 1. 技术参数:
 公针材料: 黄铜
 表面电镀:
 镀金: $\geq 0.125\mu m$
 接触电阻: $\leq 5 m\Omega$
 接线范围: $0.14-2.5 mm^2$ (26-14 AWG)
 工作温度: $-40-+125^\circ C$

PART NUMBER 料号		PART DESCRIPTION 描述		$\phi d1$	$\phi d2$	WIRE GAUGE 线规		STRIPPING LENGTH 剥线长度 (mm)
						MM ²	AWG	
T2020021002-000	DDM-T-0.3	DDM-T-0.3, GOLD PLATING	DD公针 0.14-0.37mm ² , 镀金	0.90	2.55	0.14-0.37	26-22	8
T2020021005-000	DDM-T-0.5	DDM-T-0.5, GOLD PLATING	DD公针 0.5mm ² , 镀金	1.10	2.60	0.5	20	
T2020021008-000	DDM-T-0.75	DDM-T-0.75, GOLD PLATING	DD公针 0.75mm ² , 镀金	1.30	2.60	0.75	18	
T2020021010-000	DDM-T-1.0	DDM-T-1.0, GOLD PLATING	DD公针 1.0mm ² , 镀金	1.45	2.60	1.0	18	
T2020021015-000	DDM-T-1.5	DDM-T-1.5, GOLD PLATING	DD公针 1.5mm ² , 镀金	1.75	3.00	1.5	16	
T2020021025-000	DDM-T-2.5	DDM-T-2.5, GOLD PLATING	DD公针 2.5mm ² , 镀金	2.25	3.20	2.5	14	6.2

THIS DRAWING IS A CONTROLLED DOCUMENT.

DWN: 30MAY2018 DAVID WANG
 CHK: 30MAY2018 GINO YAO
 APVD: 30MAY2018 CHRIS WANG

TE Connectivity

NAME: CDM/DDM HD/HDD PIN CONTACT

PRODUCT SPEC: 108-137042
 APPLICATION SPEC: 114-137042

SIZE: A3 CAGE CODE: 00779 DRAWING NO: T20200210XX000 RESTRICTED TO: -

MATERIAL: - FINISH: - WEIGHT: -

CUSTOMER DRAWING SCALE: 4:1 SHEET: 1 OF 1 REV: A