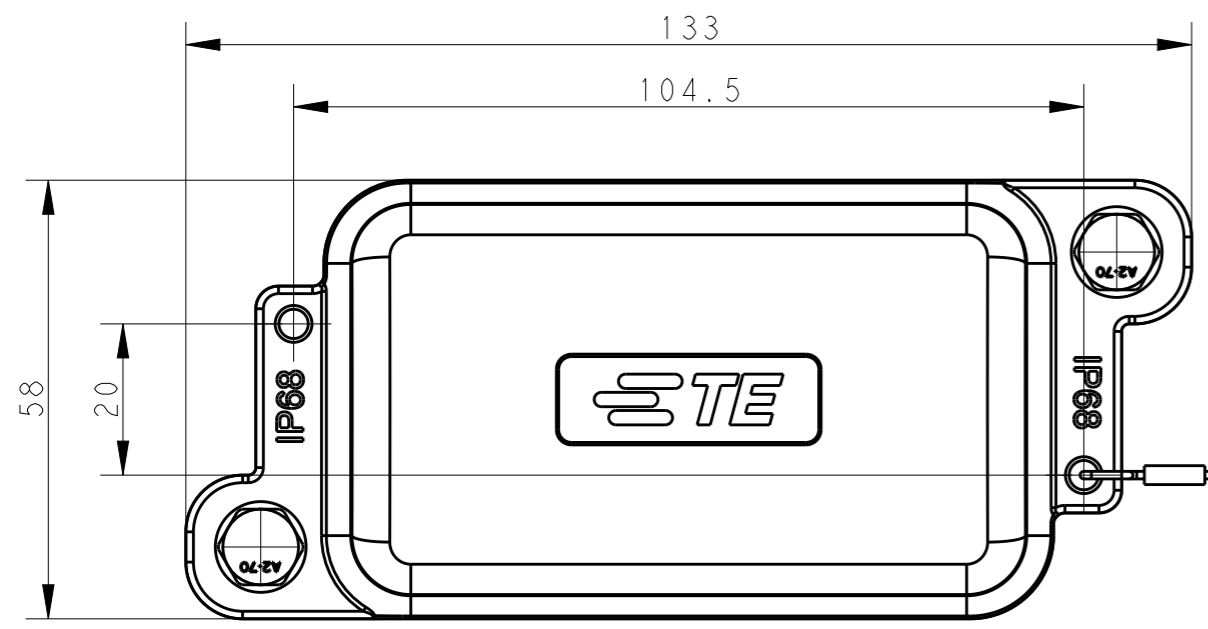
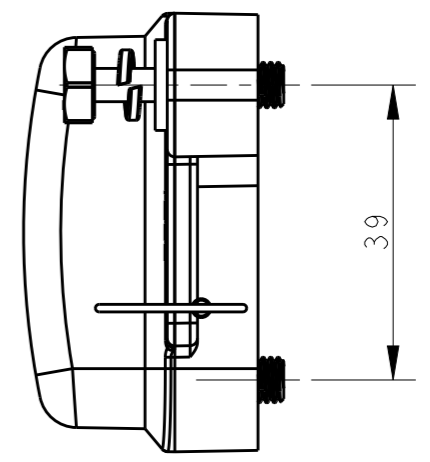


THIS DRAWING IS UNPUBLISHED. RELEASED FOR PUBLICATION 20
 © COPYRIGHT 20 BY - ALL RIGHTS RESERVED.

P	LTR	DESCRIPTION	DATE	DWN	APVD
	A	INITIAL RELEASE	08JUN2015	GY	CW
	B	ECR-16-009889	12JUL2016	GY	CW
	B1	ECR-17-007543	02JUN2017	CH	CW

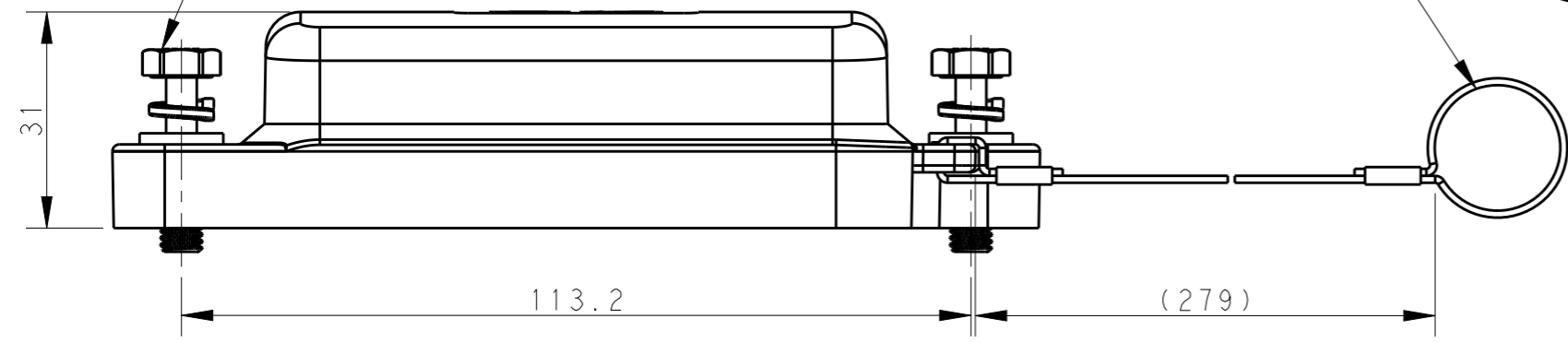


TRANSPARENT NYLON ROPE:
 TOTAL LENGTH 380mm, DIA. ϕ 1.0mm
 透明尼龙绳: 总长380mm, 直径 ϕ 1.0mm




LOOP SIZE DEFAULT VALUE DIA. ϕ 18,
 UNLESS HAVE SPECIAL REQUIREMENT.
 套圈大小默认值直径是 ϕ 18, 除非有特别要求.

2XM6 SCREW, RECOMMENDED TIGHTENING TORQUE 4.0Nm
 2XM6 螺丝, 推荐锁紧扭矩4.0Nm



NOTES:
 I. TECHNICAL CHARACTERISTICS:
 COVER MATERIAL: DIE CAST ALUMINIUM ALLOY
 SURFACE TREATMENT: SEE TABLE

注释
 I. 技术参数:
 壳体材料: 铝合金
 表面处理: 见表格

T1990060000-000	H6BPR-KDBM	H6BPR HOUSING METAL PROTECTION COVER, DIAGONAL LOCKING, NYLON ROPE, BLACK H6BPR对角锁定金属保护盖, 尼龙绳, 黑色												
PART NUMBER 料号		PART DESCRIPTION 描述												
THIS DRAWING IS A CONTROLLED DOCUMENT.		DWN GINO.YAO 08JUN2015	 TE Connectivity NAME H6BPR-KDBM											
DIMENSIONS: mm		CHK CHRIS.WANG 08JUN2015												
TOLERANCES UNLESS OTHERWISE SPECIFIED:		APVD XIANG.XU 08JUN2015												
<table border="1"> <tr><td>0 PLC</td><td>±-</td></tr> <tr><td>1 PLC</td><td>±-</td></tr> <tr><td>2 PLC</td><td>±-</td></tr> <tr><td>3 PLC</td><td>±-</td></tr> <tr><td>4 PLC</td><td>±-</td></tr> <tr><td>ANGLES</td><td>±-</td></tr> </table>		0 PLC				±-	1 PLC	±-	2 PLC	±-	3 PLC	±-	4 PLC	±-
0 PLC	±-													
1 PLC	±-													
2 PLC	±-													
3 PLC	±-													
4 PLC	±-													
ANGLES	±-													
MATERIAL	FINISH	WEIGHT	SIZE A3	CAGE CODE -	DRAWING NO C-T1990060000000	RESTRICTED TO -								
Customer Drawing		SCALE 1:1	SHEET 1 OF 1	REV B1										