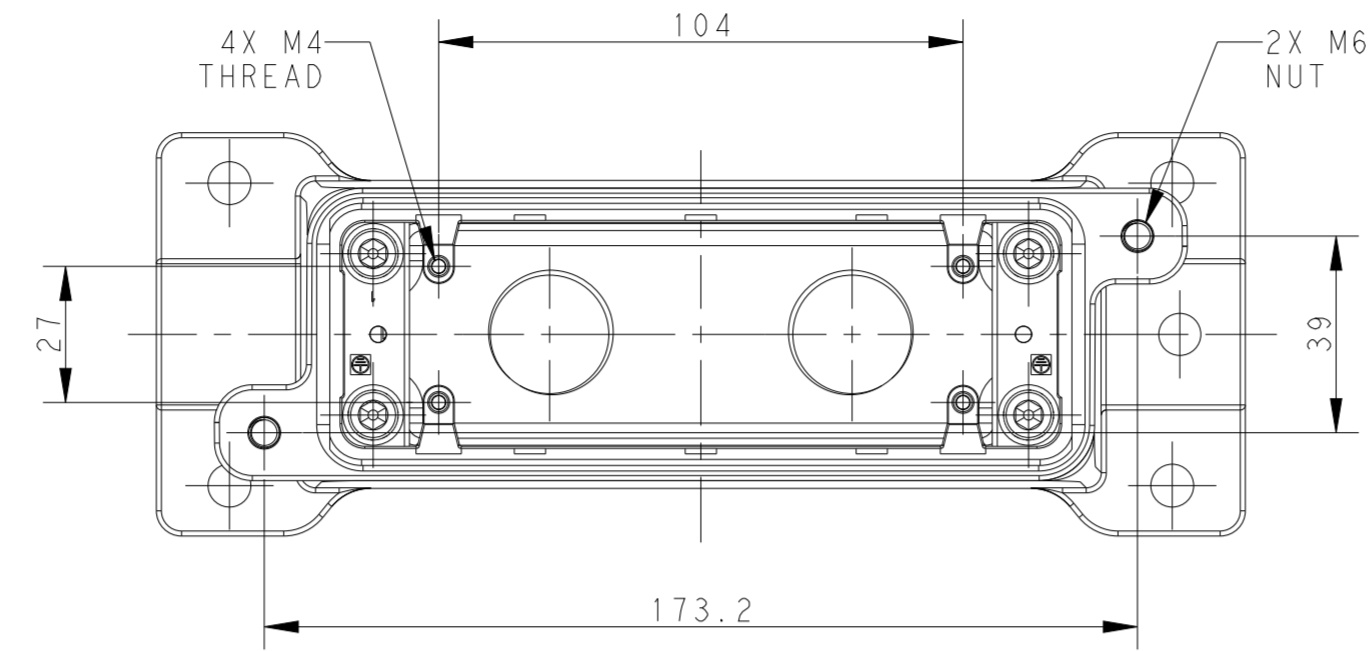
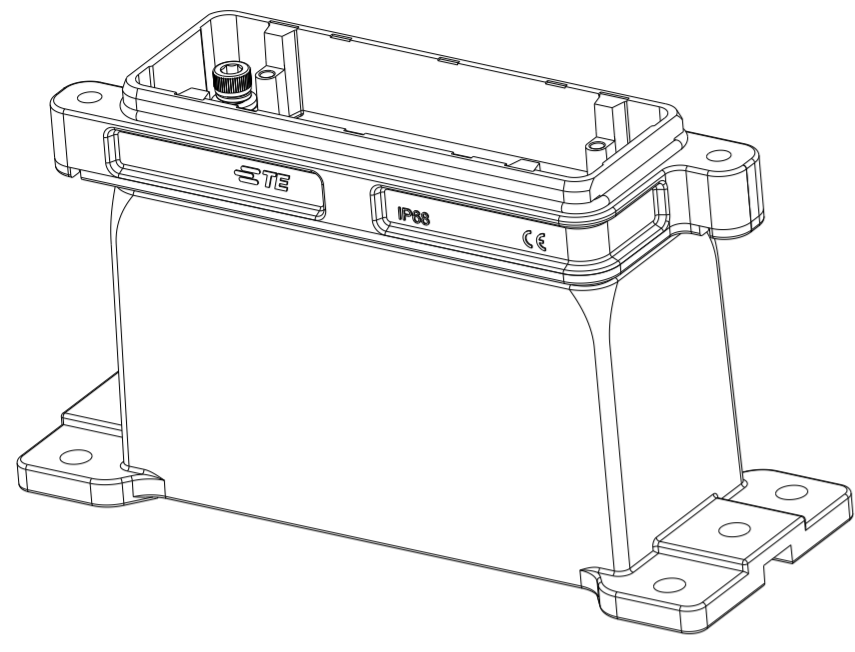


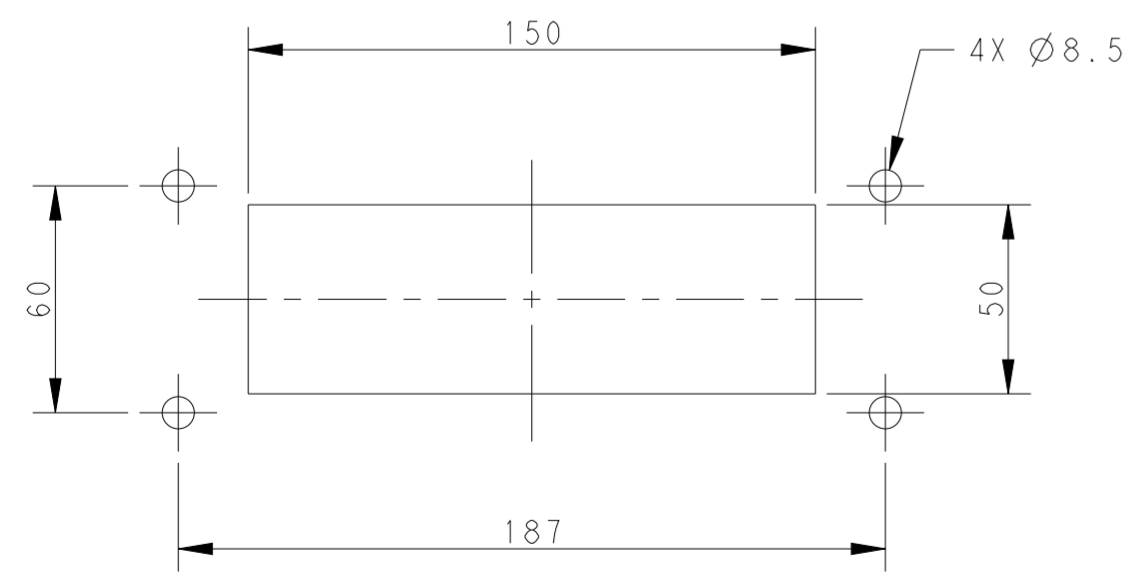
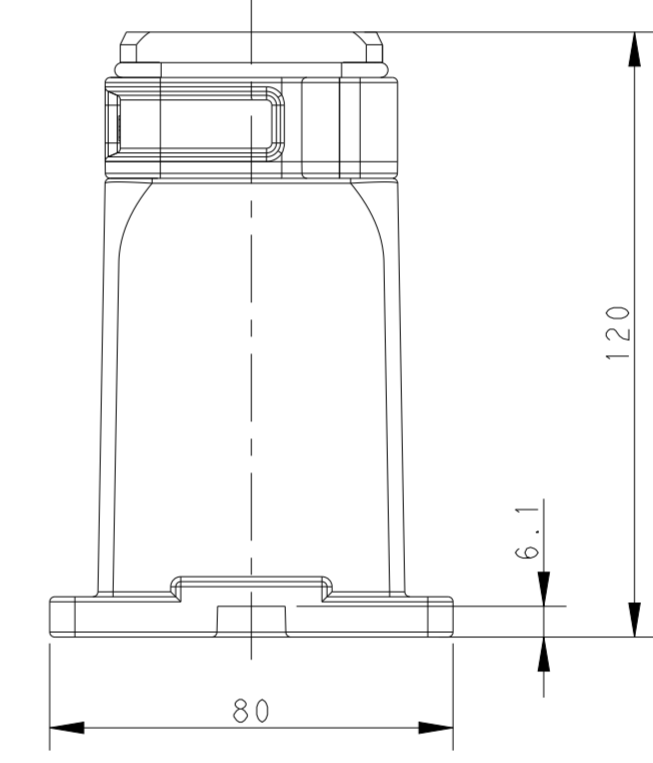
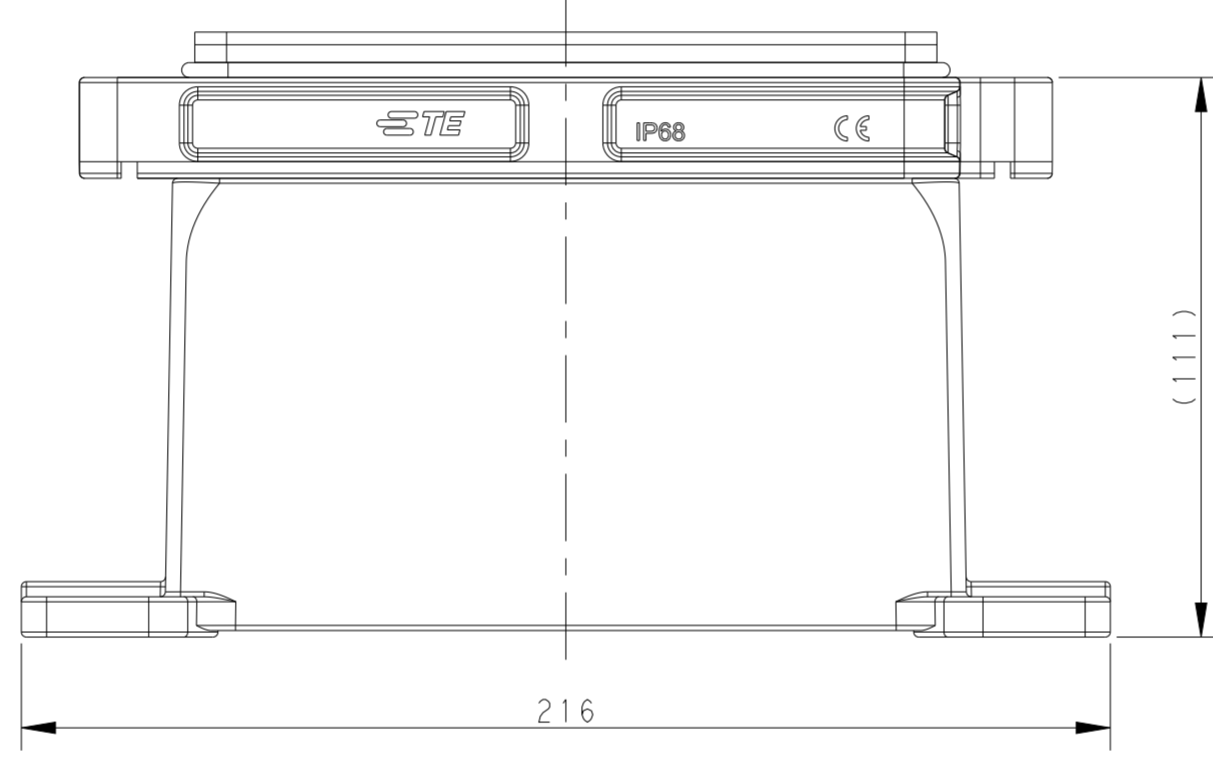
THIS DRAWING IS UNPUBLISHED. RELEASED FOR PUBLICATION 20
 © COPYRIGHT 20 BY - ALL RIGHTS RESERVED.

REVISIONS					
P	LTR	DESCRIPTION	DATE	DWN	APVD
A		INITIAL	08FEB2017	RL	CW
A1		ECR-18-009052	9JUL2018	RG	CW
B		ECR-20-014403	20MAY2021	BS	CW

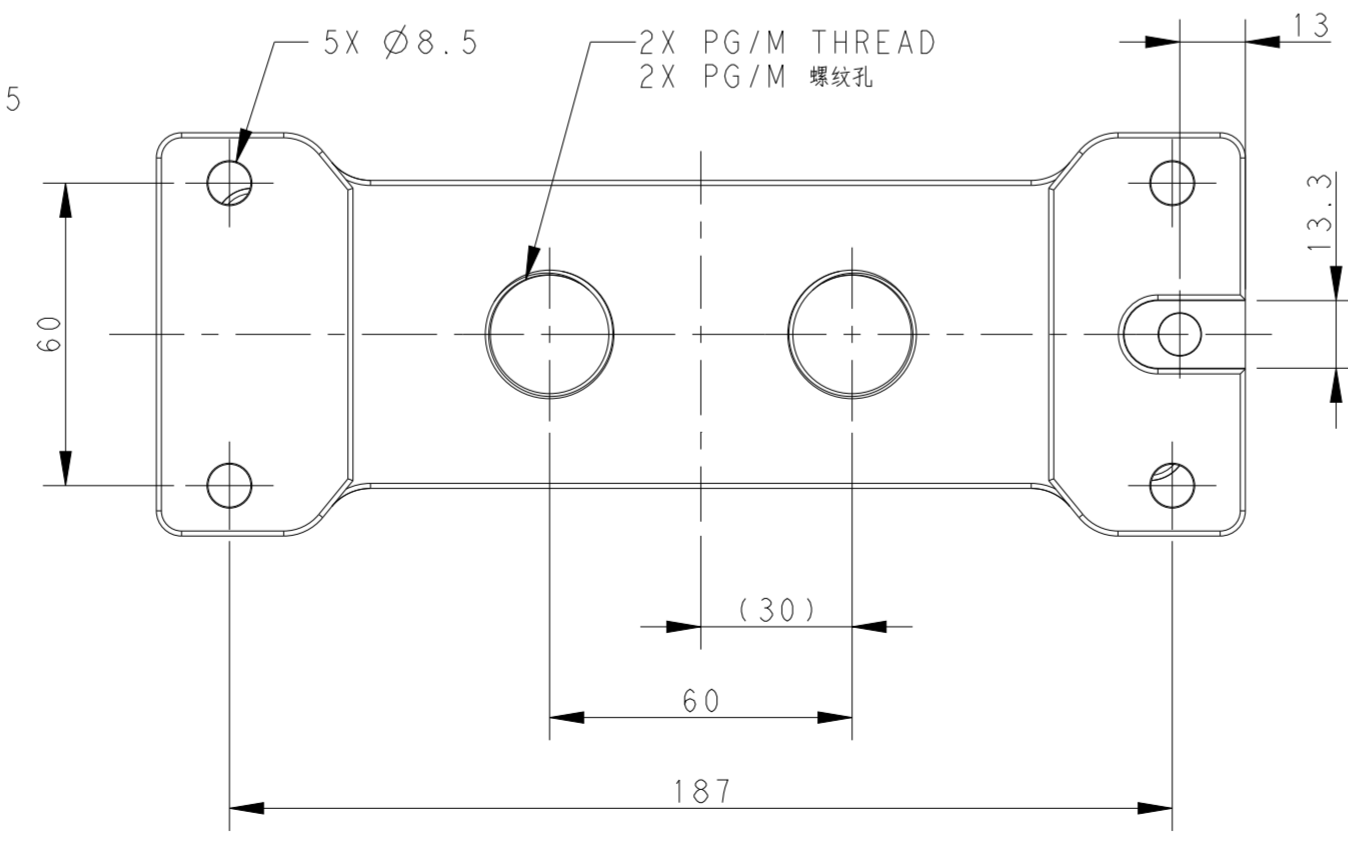


NOTES:
 1. TECHNICAL CHARACTERISTICS:
 HOOD MATERIAL: ALUMINIUM ALLOY
 SURFACE: POWDER COATED, BLACK
 DEGREE OF PROTECTION: IP68 (MATED)

注释:
 1. 技术参数:
 上壳材料: 铝合金
 表面处理: 黑色粉末喷涂
 防护等级: IP68(配合)



PANEL CUT OUT
 面板安装开孔尺寸



T1950240225-000	H24BPR-SGRH-2TM25	H24BPR HOUSING, DIAGONAL LOCKING, SURFACE MOUNTED, BOTTOM ENTRY 2M25, POWDER COATED, BLACK H24BPR下壳, 对角锁定, 表面安装, 底出2M25, 黑色粉末喷涂	M25
T1950240232-000	H24BPR-SGRH-2TM32	H24BPR HOUSING, DIAGONAL LOCKING, SURFACE MOUNTED, BOTTOM ENTRY 2M32, POWDER COATED, BLACK H24BPR下壳, 对角锁定, 表面安装, 底出2M32, 黑色粉末喷涂	M32
T1950240240-000	H24BPR-SGRH-2TM40	H24BPR HOUSING, DIAGONAL LOCKING, SURFACE MOUNTED, BOTTOM ENTRY 2M40, POWDER COATED, BLACK H24BPR下壳, 对角锁定, 表面安装, 底出2M40, 黑色粉末喷涂	M40
PART NUMBER 料号	PART DESCRIPTION 描述		2X PG/M THREAD 2X PG/M 螺纹孔

THIS DRAWING IS A CONTROLLED DOCUMENT.

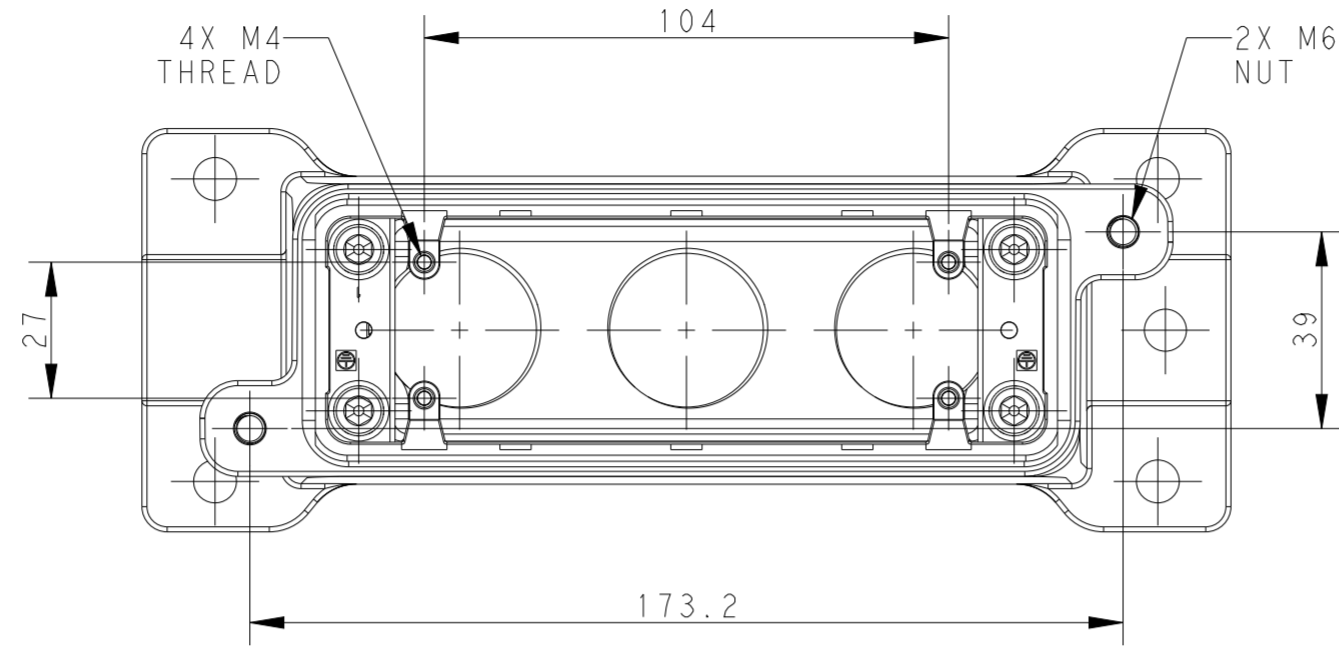
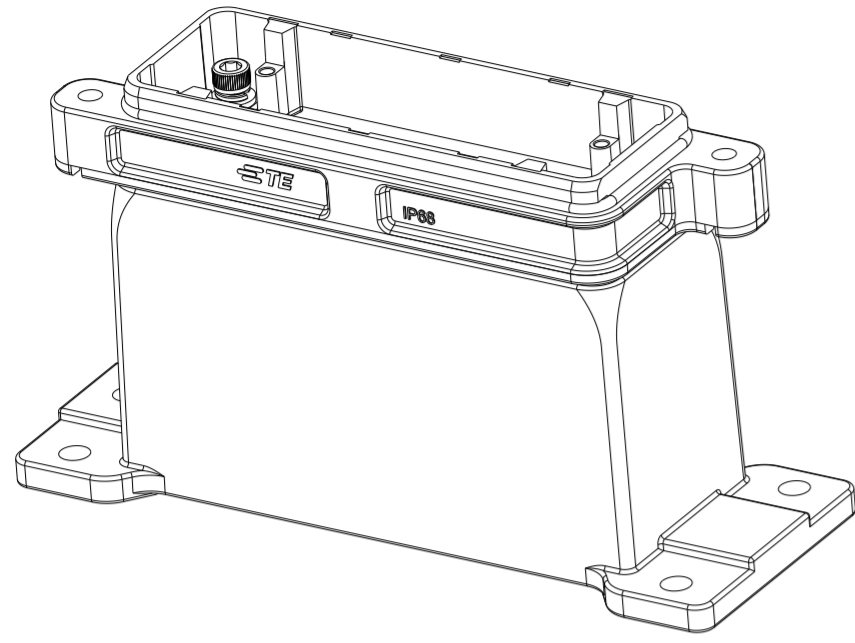
DWN	ROY LIU	08FEB2017	 TE Connectivity
CHK	KYLE ZENG	08FEB2017	
APVD	CHRIS WANG	08FEB2017	
NAME	H24BPR-SGRH-PG/M		
DIMENSIONS:	TOLERANCES UNLESS OTHERWISE SPECIFIED:		PRODUCT SPEC
mm	0 PLC	±	108-137014
	1 PLC	±	APPLICATION SPEC
	2 PLC	±	114-137014
	3 PLC	±	WEIGHT
	4 PLC	±	
	ANGLES	±	
	FINISH	-	
MATERIAL	-	-	
	-	-	

CUSTOMER DRAWING

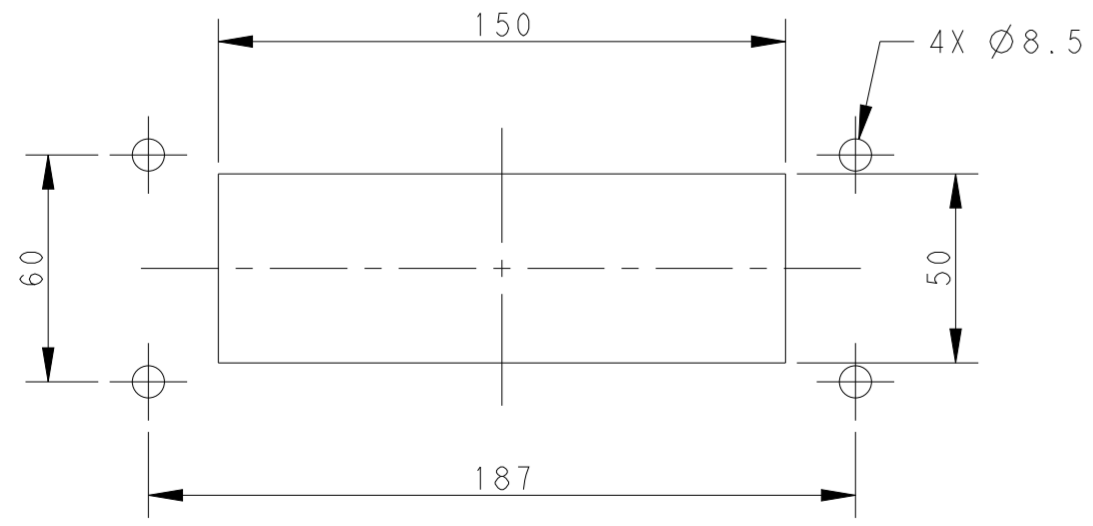
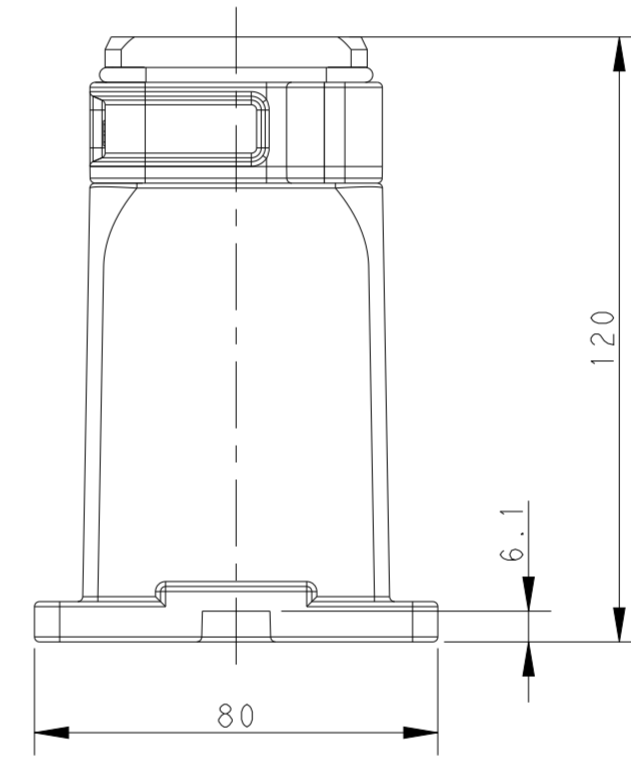
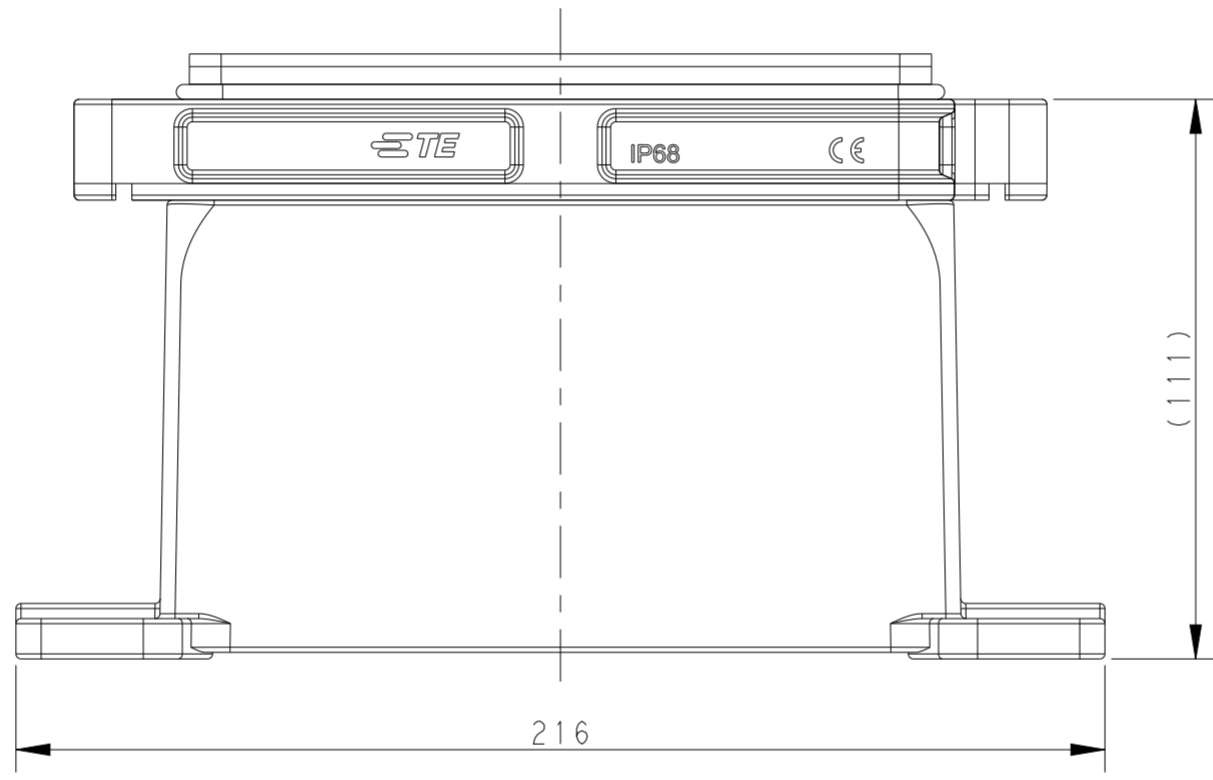
SIZE	CAGE CODE	DRAWING NO	RESTRICTED TO
A2	-	©-T1950240XXX000	
SCALE	1:1	SHEET	1 OF 3
REV	B		

THIS DRAWING IS UNPUBLISHED. RELEASED FOR PUBLICATION 20
 © COPYRIGHT 20 BY - ALL RIGHTS RESERVED.

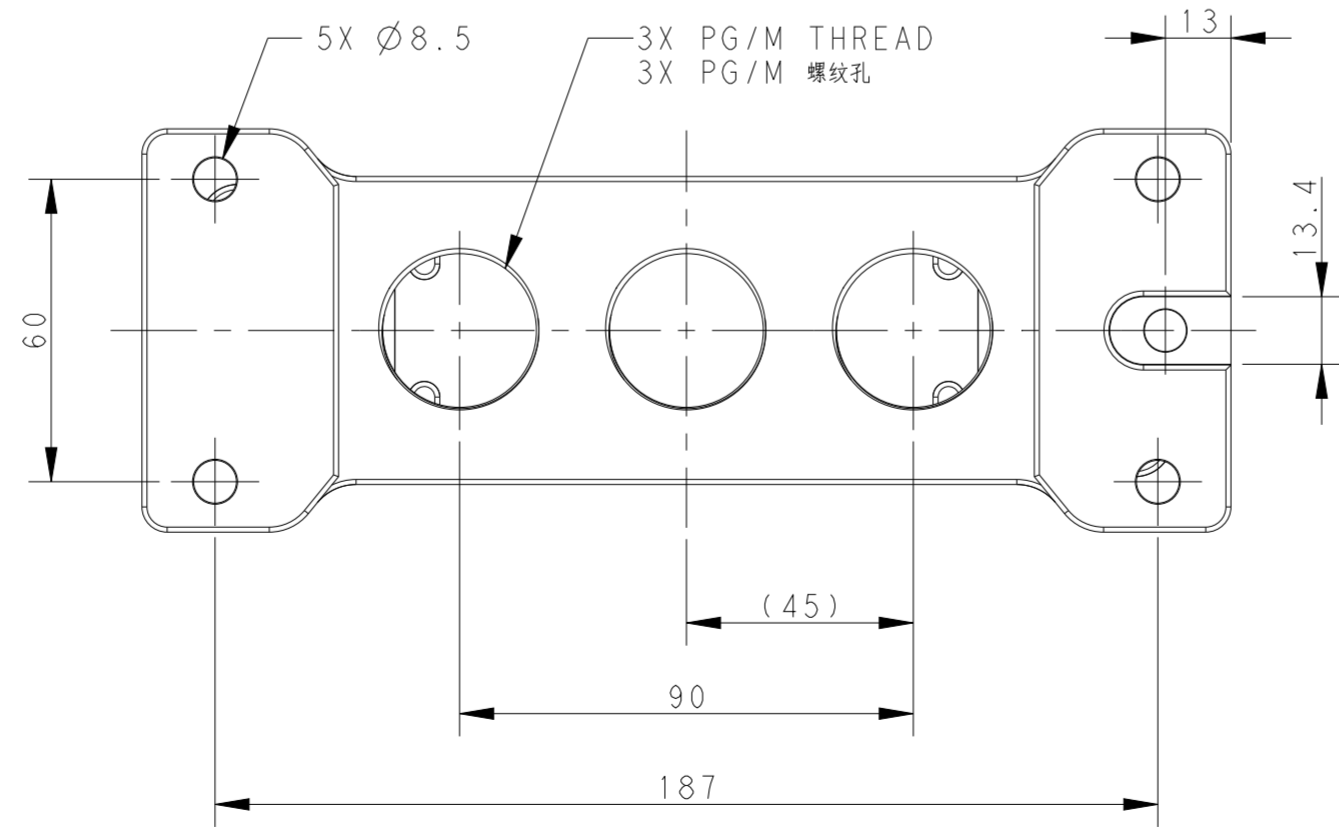
REVISIONS				
P	LTR	DESCRIPTION	DATE	APVD
-		SEE SHEET 1	-	-



NOTES:
SEE SHEET 1



PANEL CUT OUT
面板安装开孔尺寸

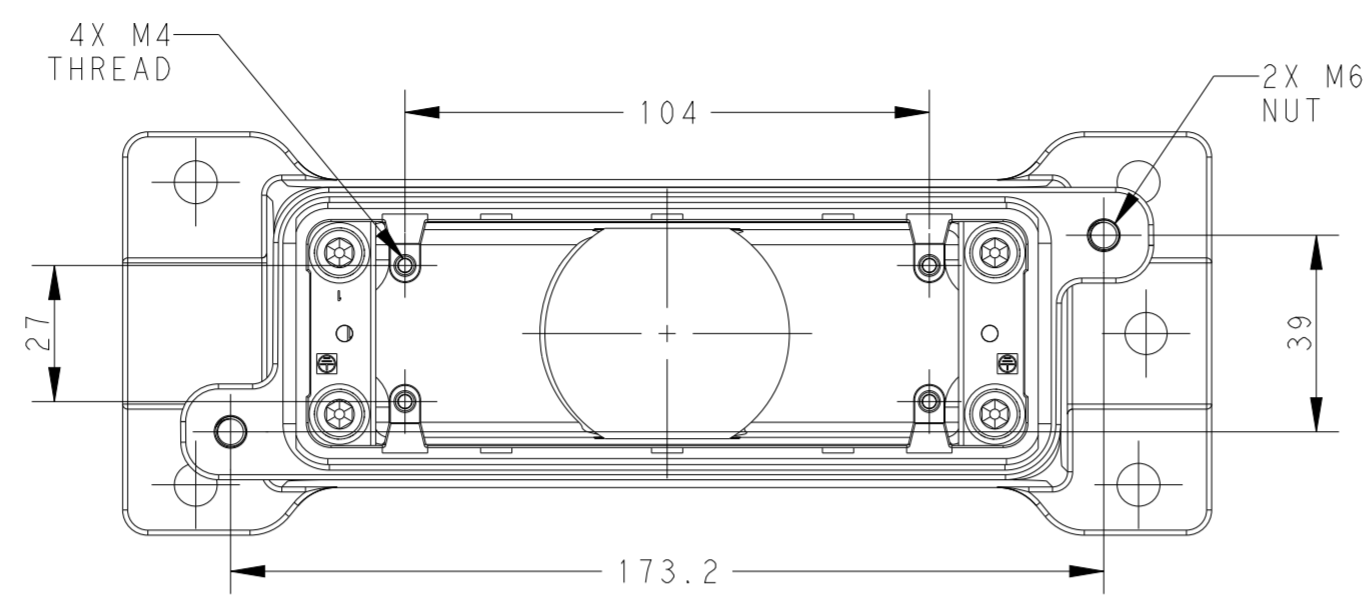
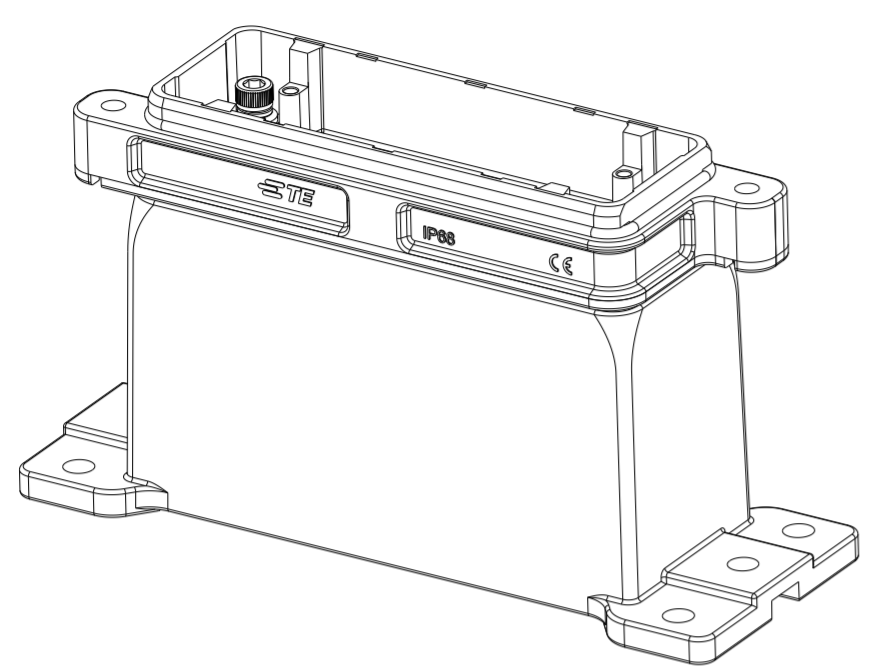


T1950240325-000	H24BPR-SGRH-3TM25	H24BPR HOUSING, DIAGONAL LOCKING, SURFACE MOUNTED, BOTTOM ENTRY 3M25, POWDER COATED, BLACK H24BPR下壳, 对角锁定, 表面安装, 底出3M25, 黑色粉末喷涂	M25
T1950240332-000	H24BPR-SGRH-3TM32	H24BPR HOUSING, DIAGONAL LOCKING, SURFACE MOUNTED, BOTTOM ENTRY 3M32, POWDER COATED, BLACK H24BPR下壳, 对角锁定, 表面安装, 底出3M32, 黑色粉末喷涂	M32
PART NUMBER 料号	PART DESCRIPTION 描述		3X PG/M THREAD 3X PG/M 螺纹孔

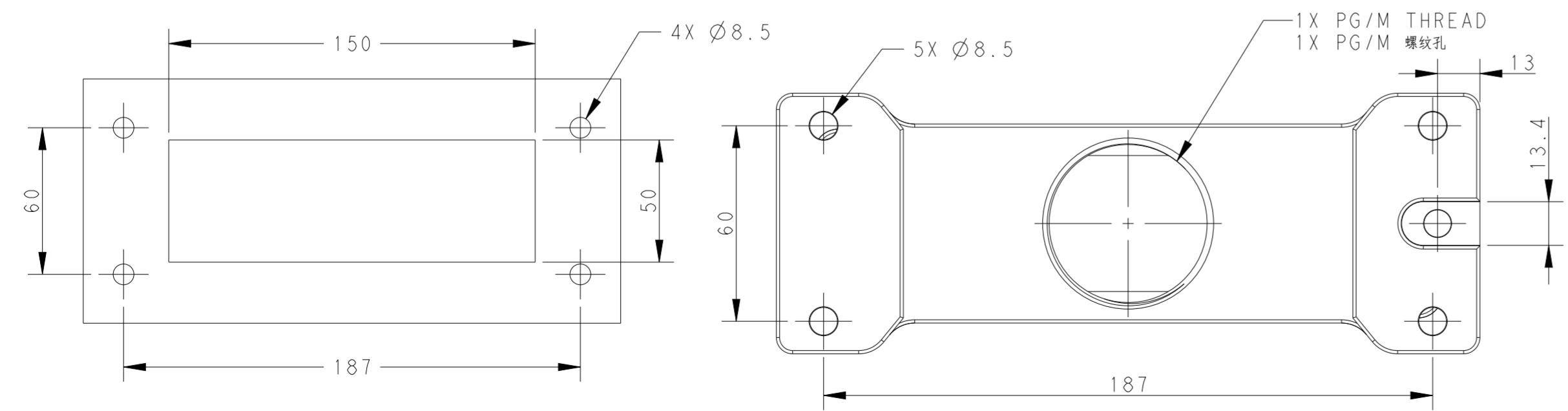
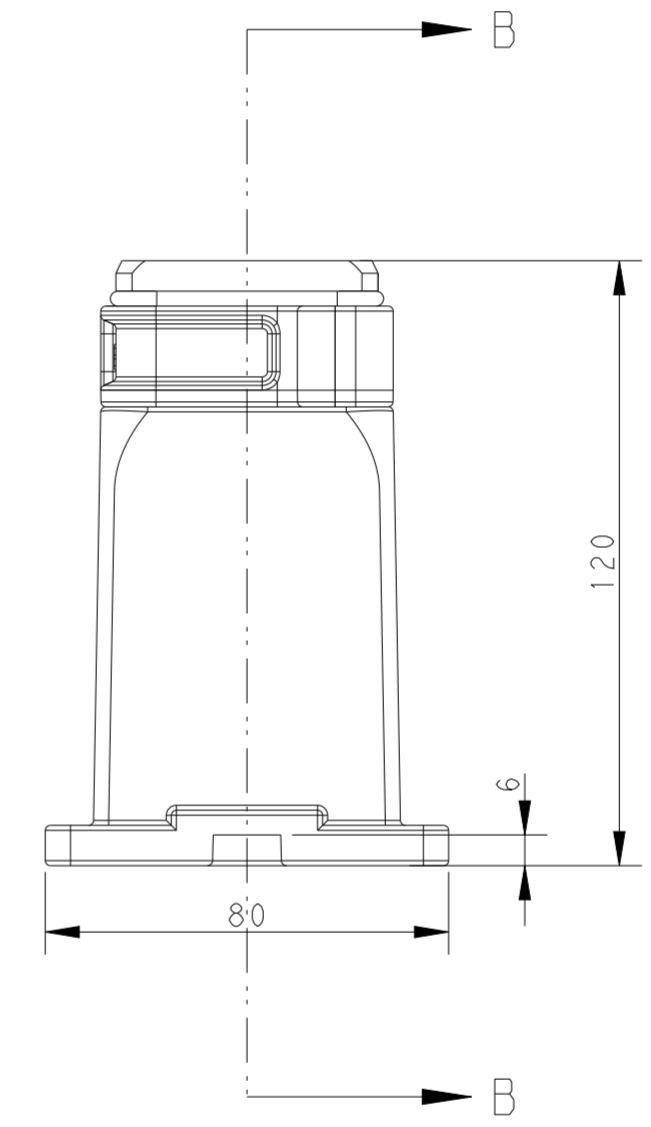
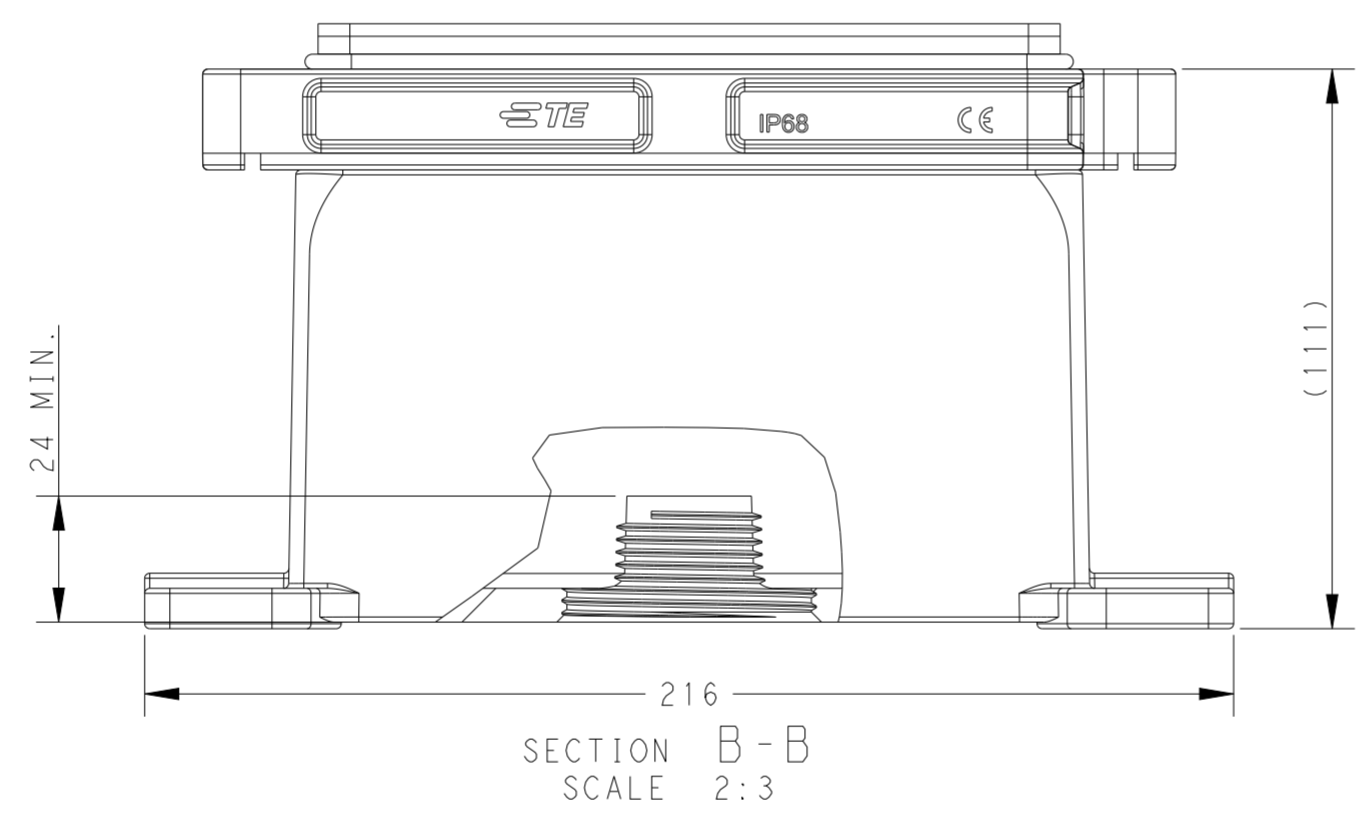
THIS DRAWING IS A CONTROLLED DOCUMENT.		DWN ROY LIU 08FEB2017	TE Connectivity															
DIMENSIONS: mm		CHK KYLE ZENG 08FEB2017																
TOLERANCES UNLESS OTHERWISE SPECIFIED:		APVD CHRIS WANG 08FEB2017	NAME H24BPR-SGRH-PG/M															
<table border="0"> <tr> <td>0 PLC</td><td>±</td></tr> <tr> <td>1 PLC</td><td>±</td></tr> <tr> <td>2 PLC</td><td>±</td></tr> <tr> <td>3 PLC</td><td>±</td></tr> <tr> <td>4 PLC</td><td>±</td></tr> <tr> <td>ANGLES</td><td>±</td></tr> <tr> <td>FINISH</td><td>±</td></tr> </table>		0 PLC	±	1 PLC	±	2 PLC	±	3 PLC	±	4 PLC	±	ANGLES	±	FINISH	±	PRODUCT SPEC 108-137014	SIZE A2	
0 PLC	±																	
1 PLC	±																	
2 PLC	±																	
3 PLC	±																	
4 PLC	±																	
ANGLES	±																	
FINISH	±																	
MATERIAL		APPLICATION SPEC 114-137014	CAGE CODE -	DRAWING NO C-T1950240XXX000														
		WEIGHT -	RESTRICTED TO															
		CUSTOMER DRAWING	SCALE 1:1	SHEET 2 OF 3														
			REV B															

THIS DRAWING IS UNPUBLISHED. RELEASED FOR PUBLICATION 20
 © COPYRIGHT 20 BY - ALL RIGHTS RESERVED.

REVISIONS				
P	LTR	DESCRIPTION	DATE	APVD
-	-	SEE SHEET 1	-	-



NOTES:
SEE SHEET 1



T1950240150-000	H24BPR-SGRH-TM50	H24BPR HOUSING, DIAGONAL LOCKING, SURFACE MOUNTED, BOTTOM ENTRY M50. POWDER COATED, BLACK H24BPR下壳, 对角锁定, 表面安装, 底出M50, 黑色粉末喷涂	M50
PART NUMBER 料号	PART DESCRIPTION 描述		1X PG/M THREAD 1X PG/M 螺纹孔

THIS DRAWING IS A CONTROLLED DOCUMENT.		DWN ROY LIU 08FEB2017	TE Connectivity	
DIMENSIONS: mm		CHK KYLE ZENG 08FEB2017		
TOLERANCES UNLESS OTHERWISE SPECIFIED:		APVD CHRIS WANG 08FEB2017	PRODUCT SPEC 108-137014	SIZE A2
0 PLC ± 1 PLC ± 2 PLC ± 3 PLC ± 4 PLC ± ANGLES ± FINISH -		APPLICATION SPEC 114-137014	RESTRICTED TO	SCALE 1:1
MATERIAL		WEIGHT	CAGE CODE	DRAWING NO
			-	©-T1950240XXX000
CUSTOMER DRAWING		REVISION	SHEET 3 OF 3	REV B