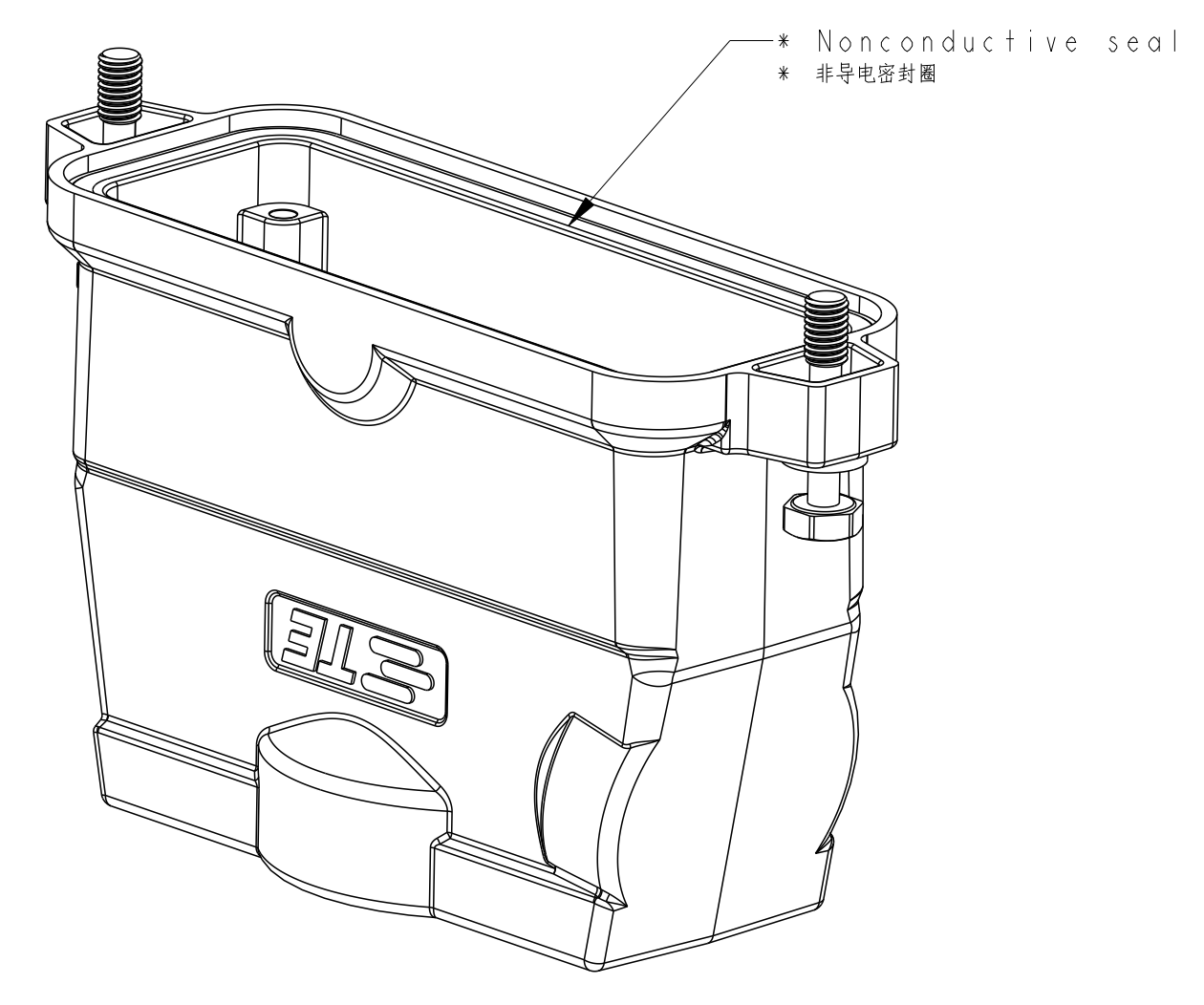
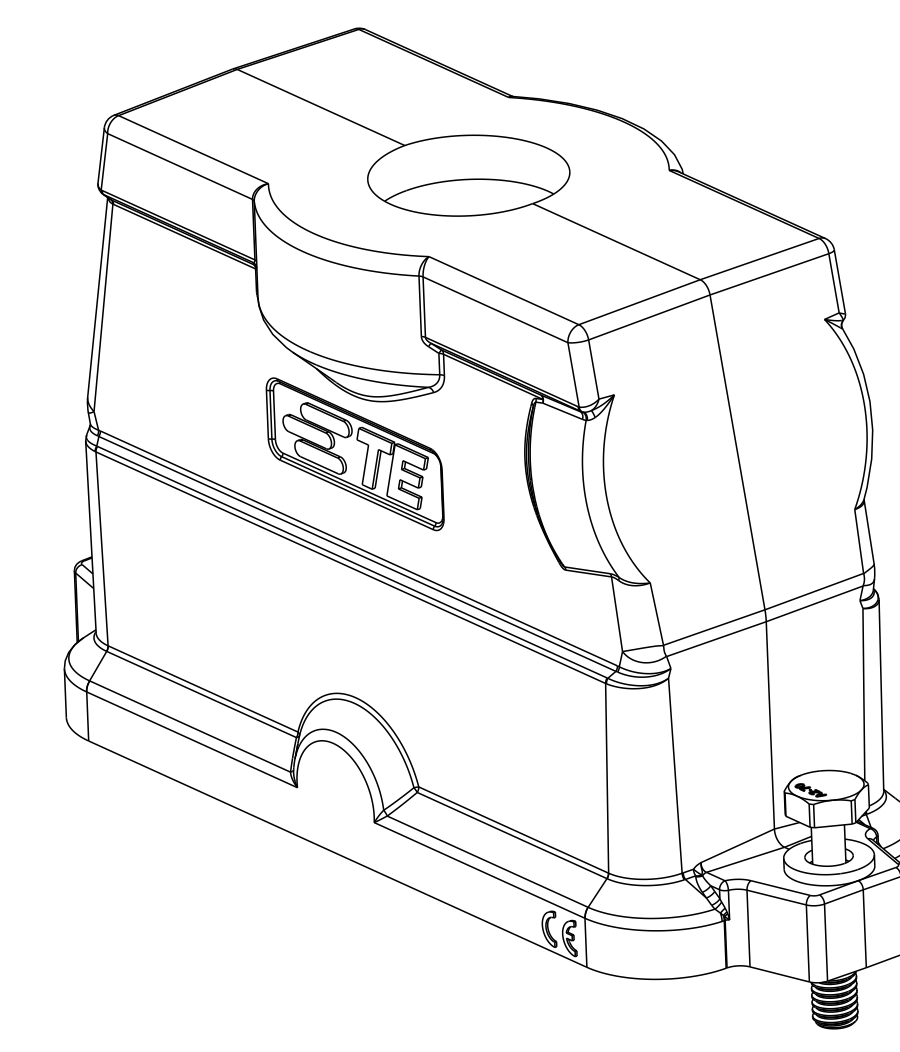
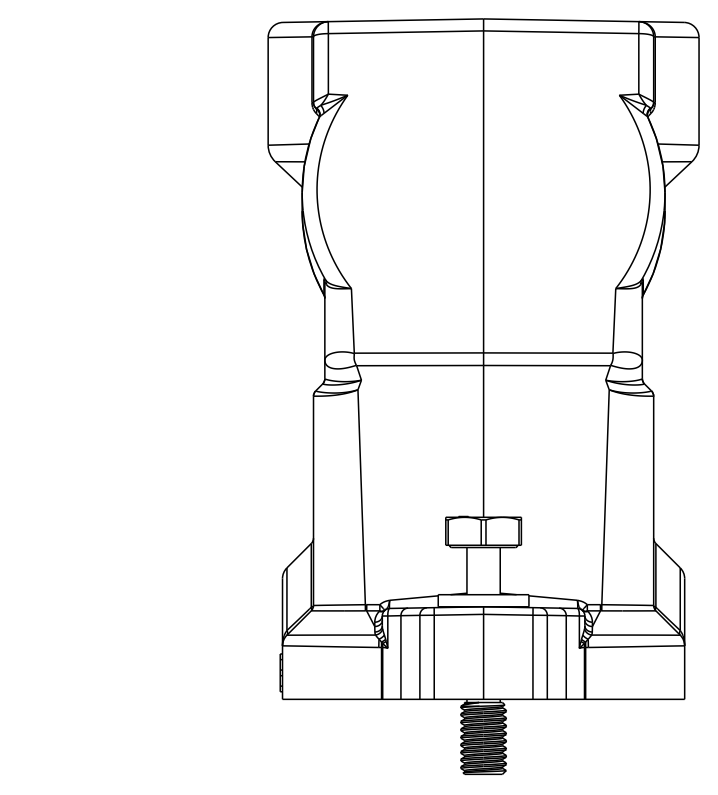
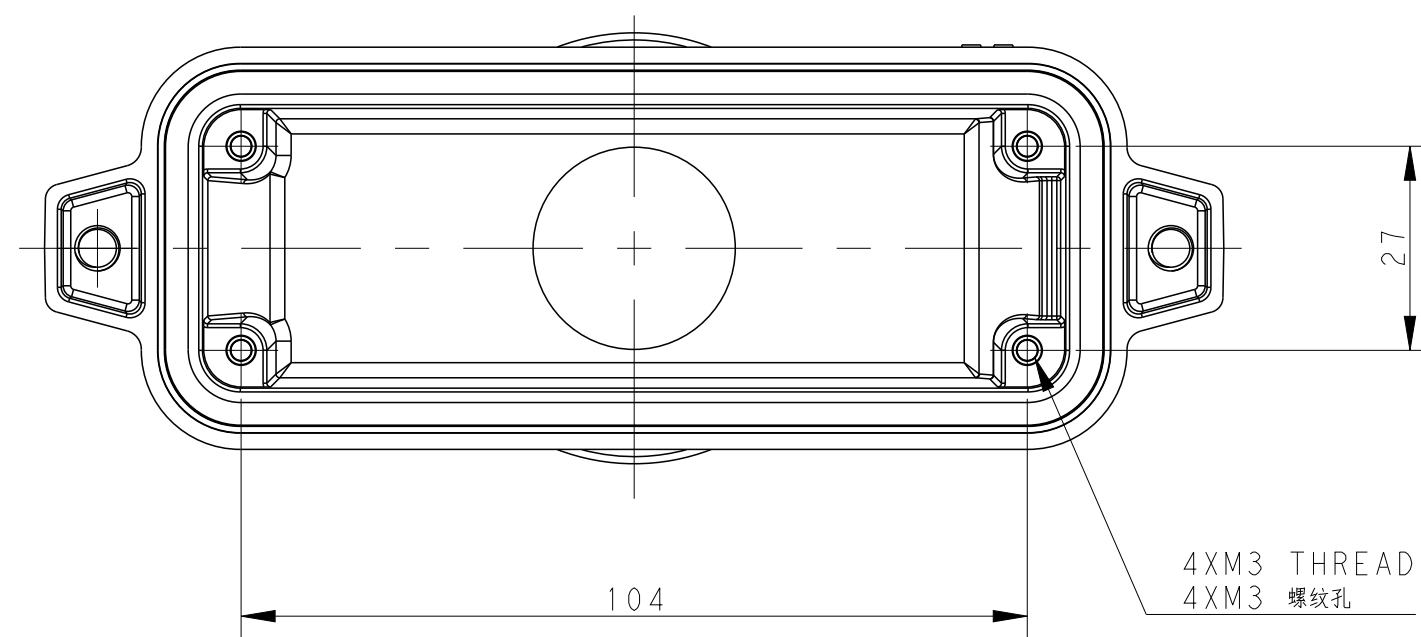
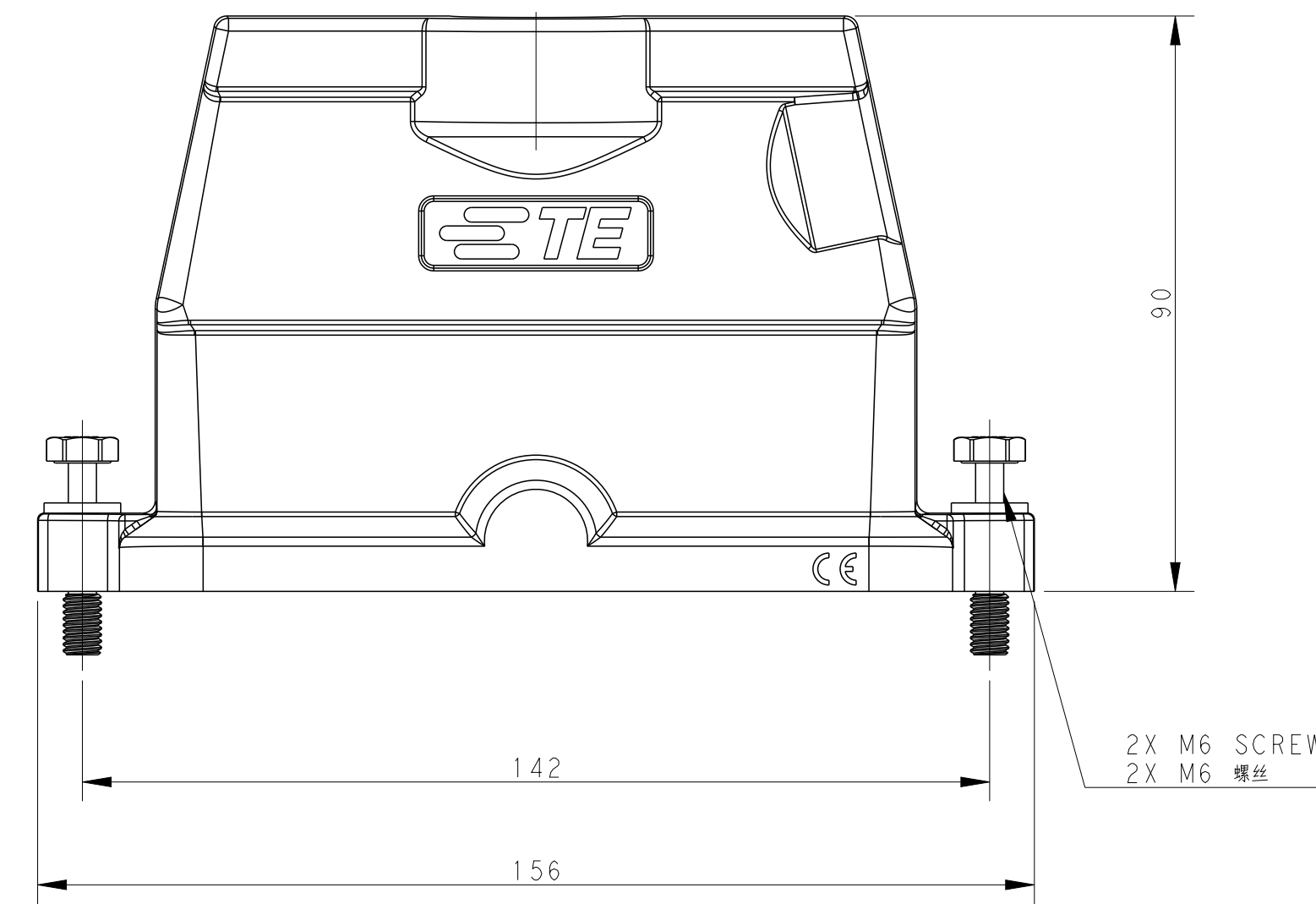
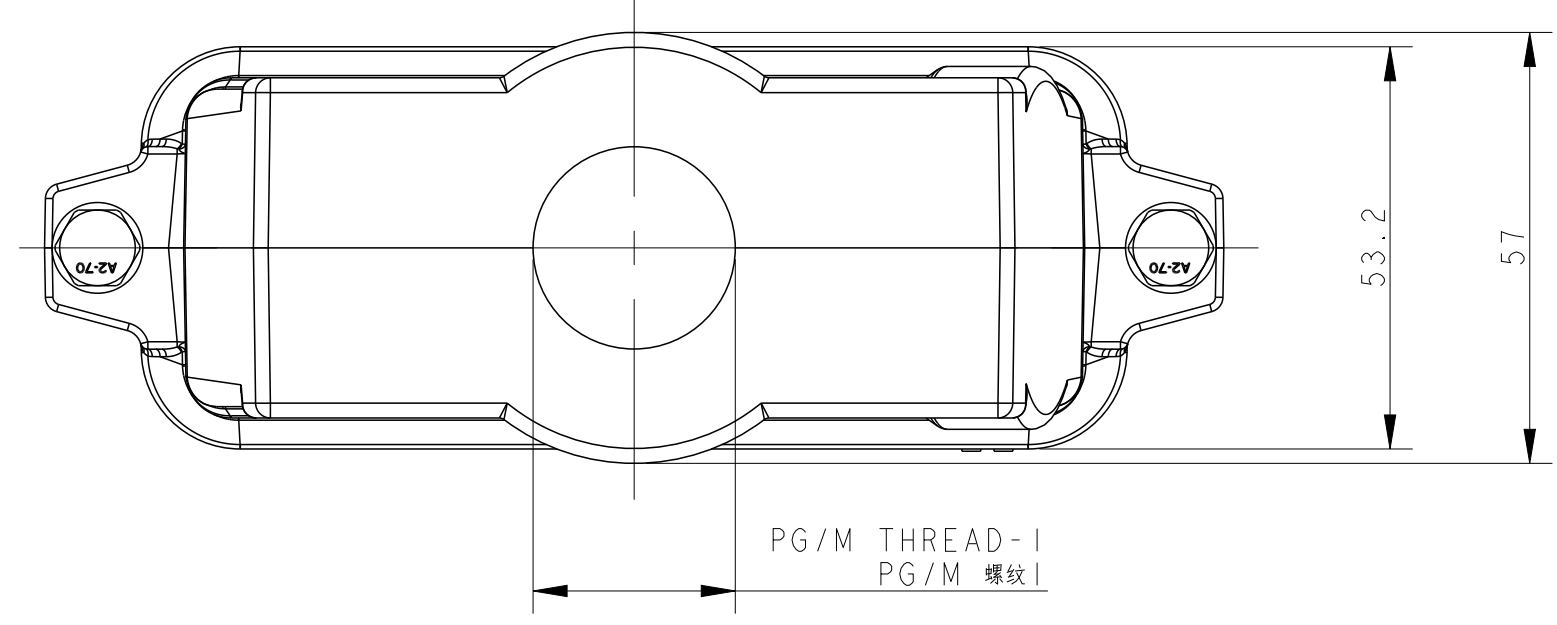


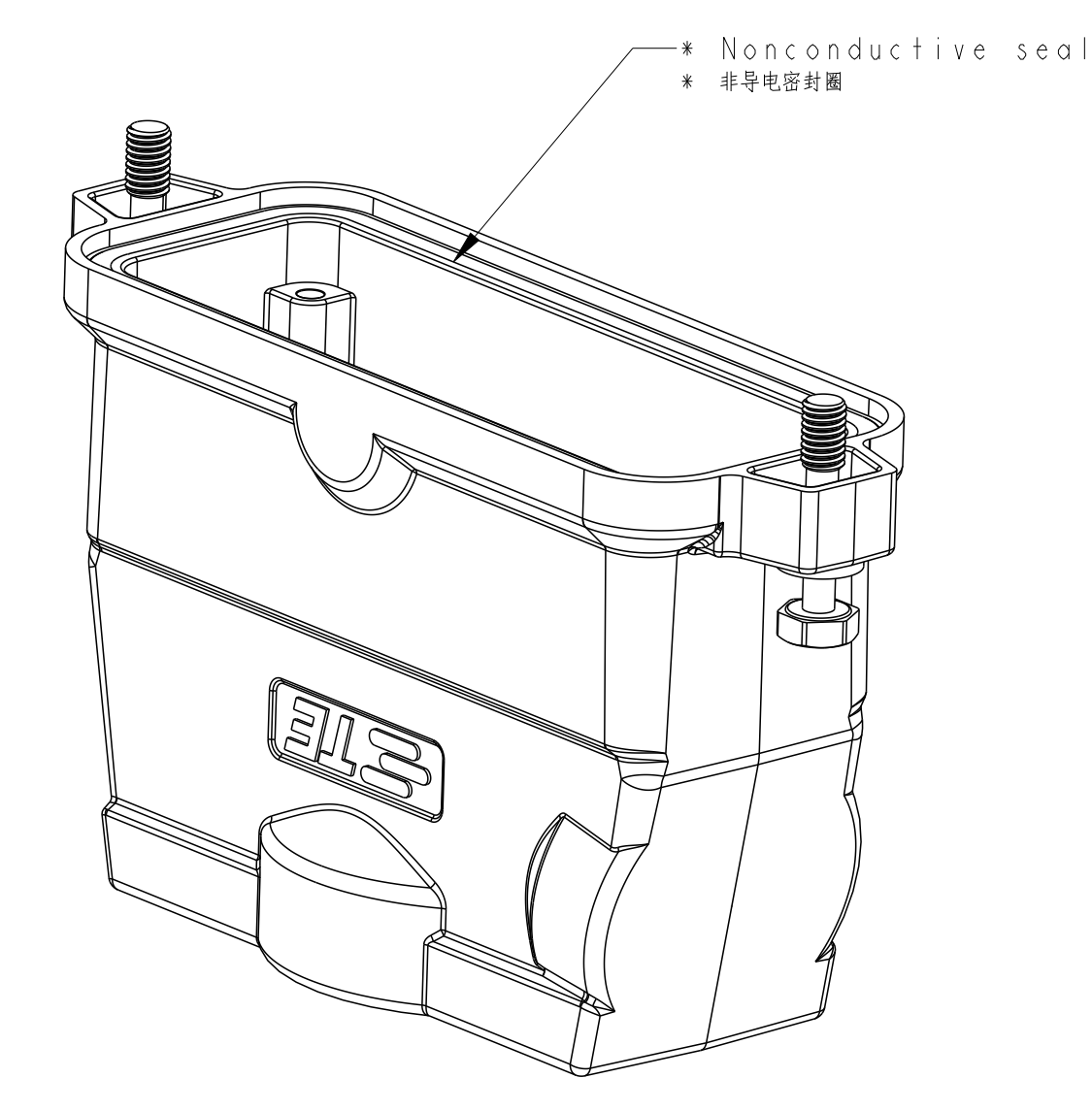
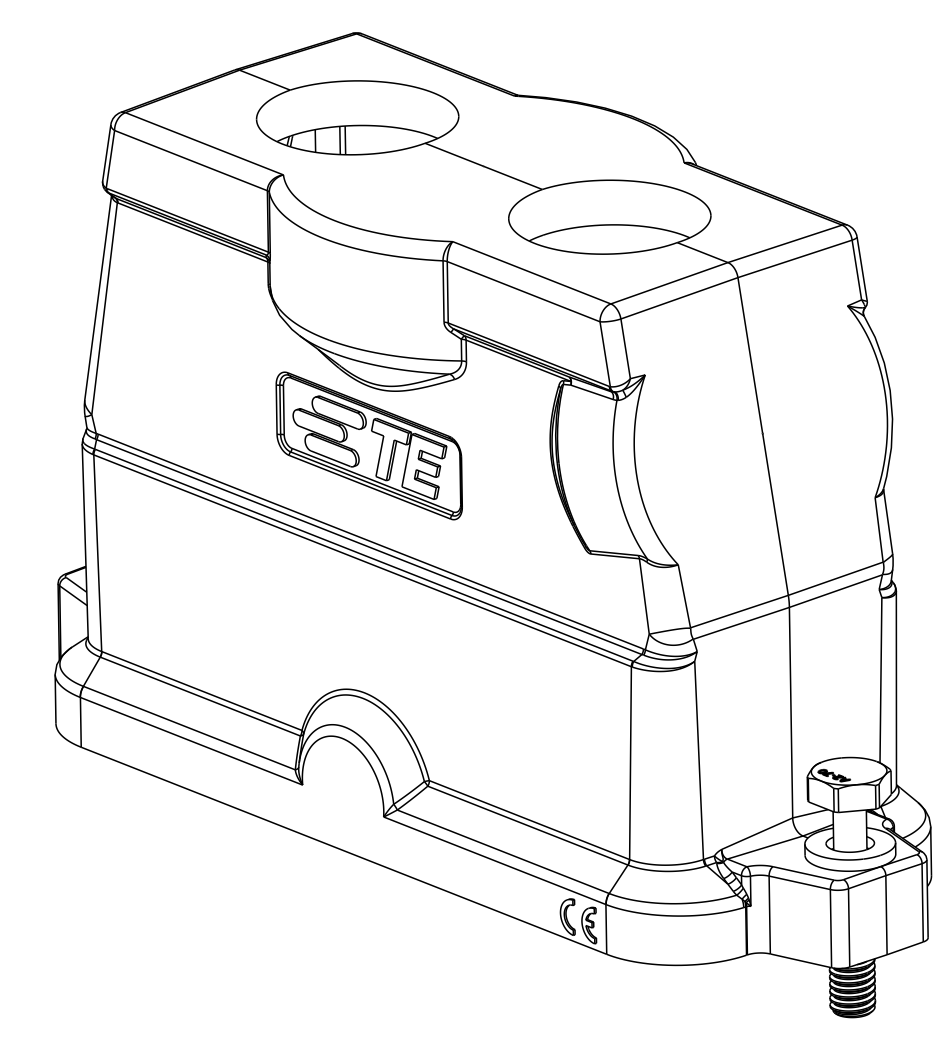
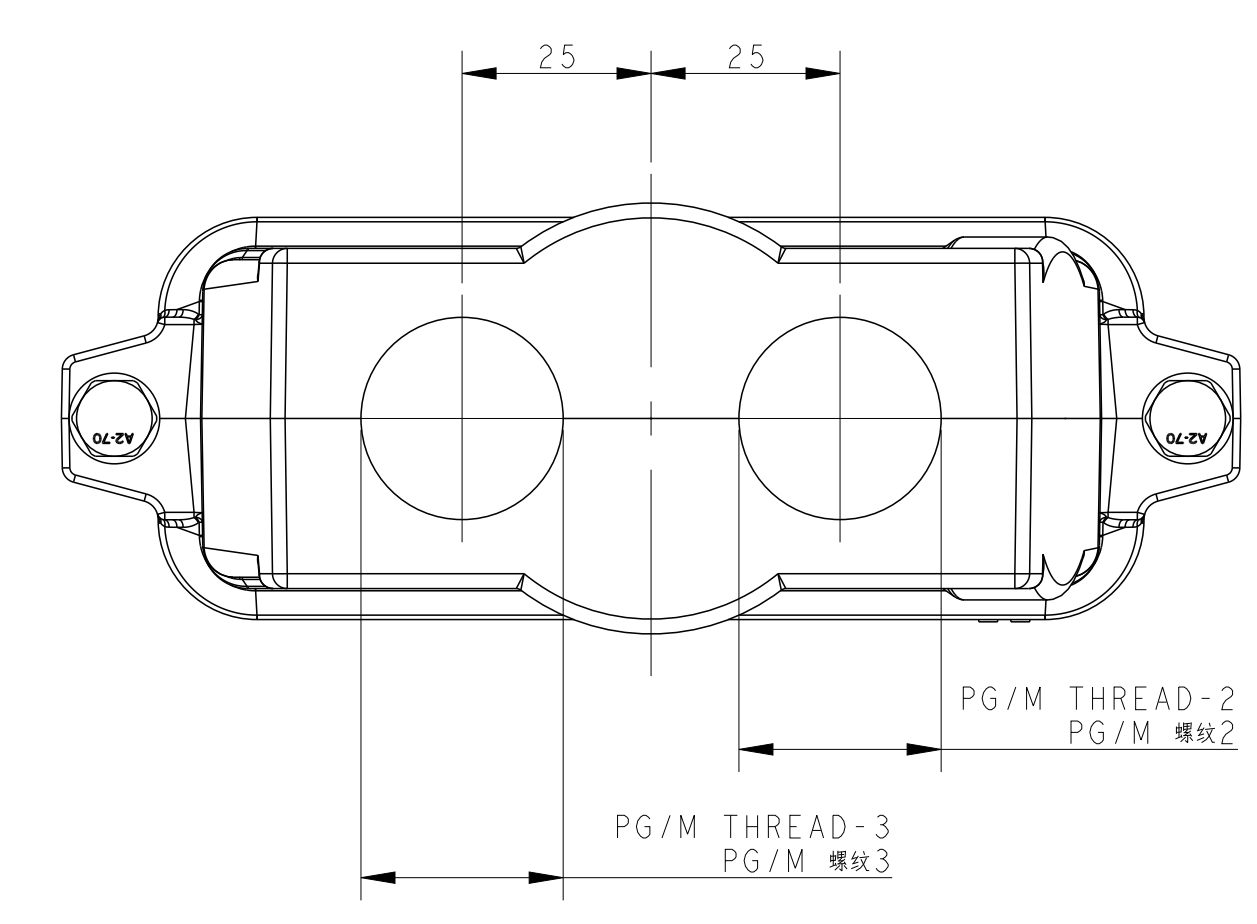
TYPE 1 类型 1

Single PG/M thread & With nonconductive seal
 单PG/M螺纹孔与导电密封件



TYPE 2 类型 2

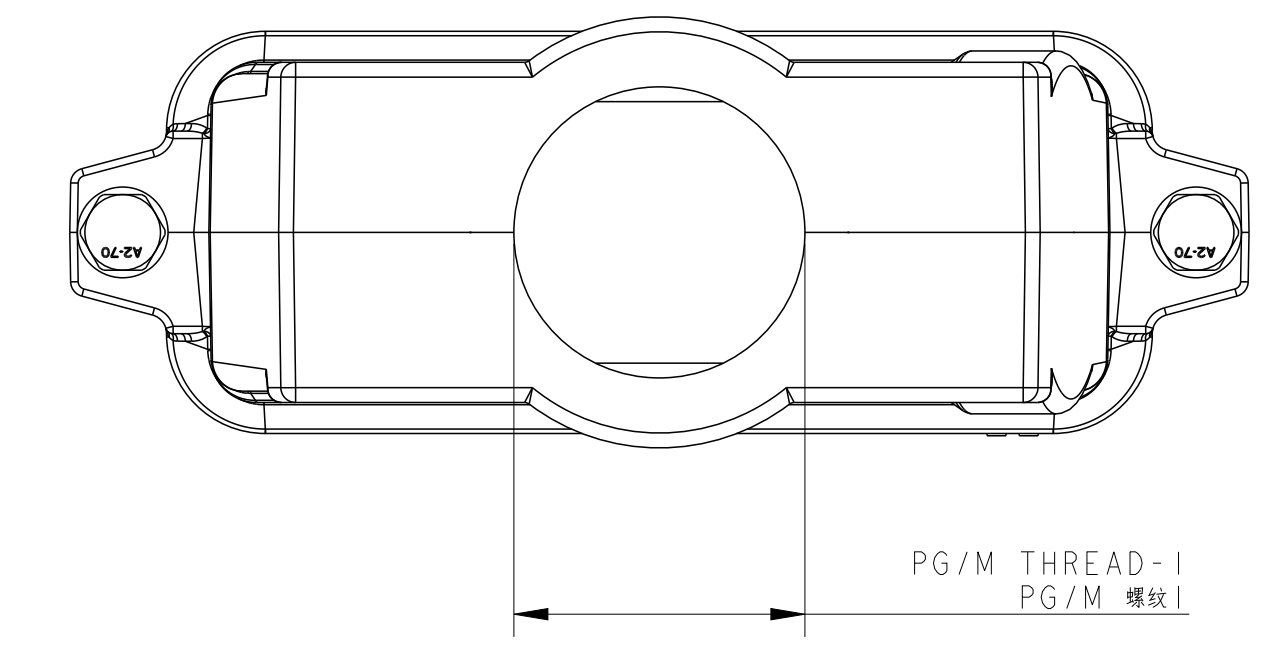
Two PG/M threads & With nonconductive seal
 两个PG/M螺纹孔与导电密封件



All dimension is same as TYPE 1, except those defined in this TYPE
 除了在本类型中定义的尺寸外, 其他尺寸同类型 1

TYPE 4 类型 4

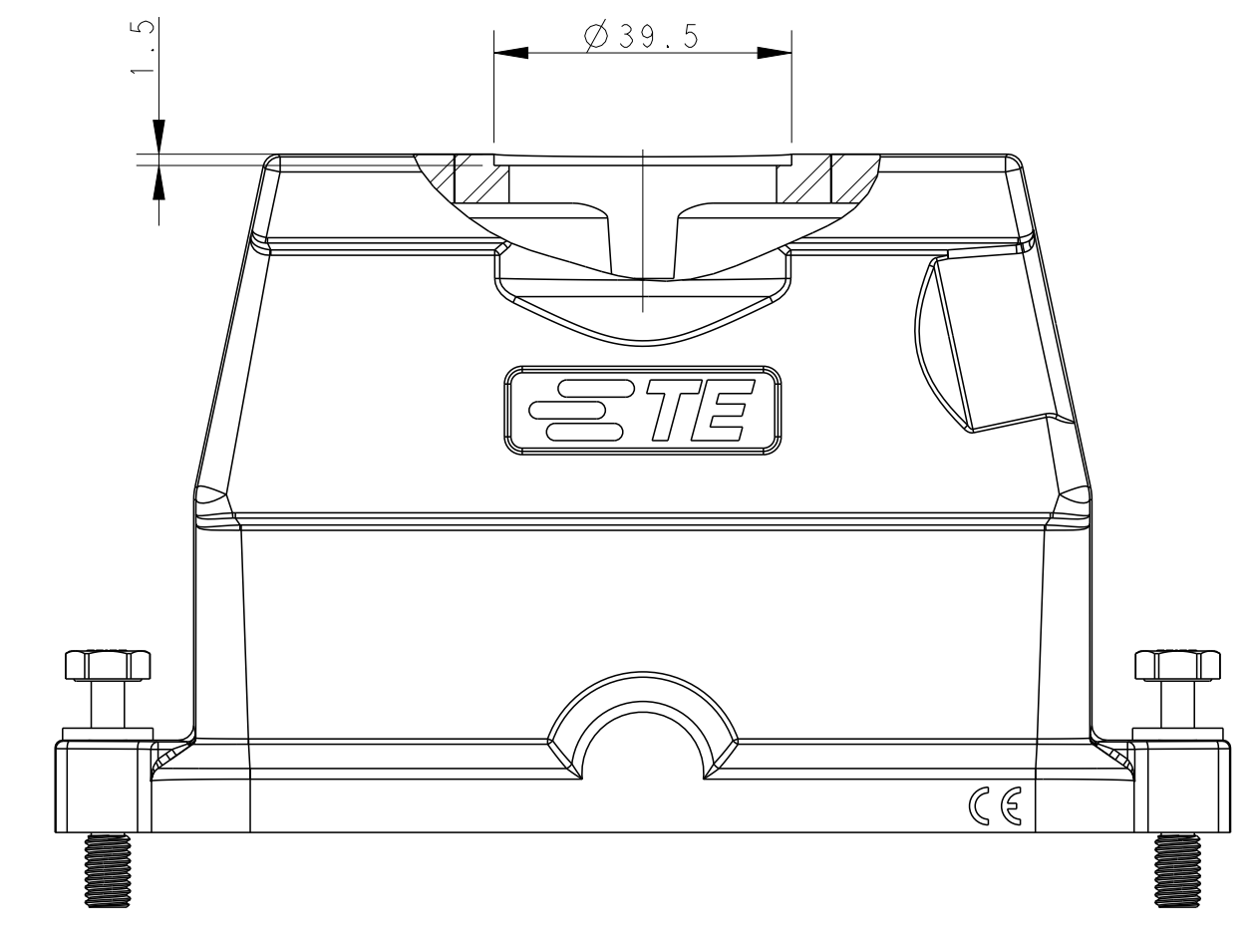
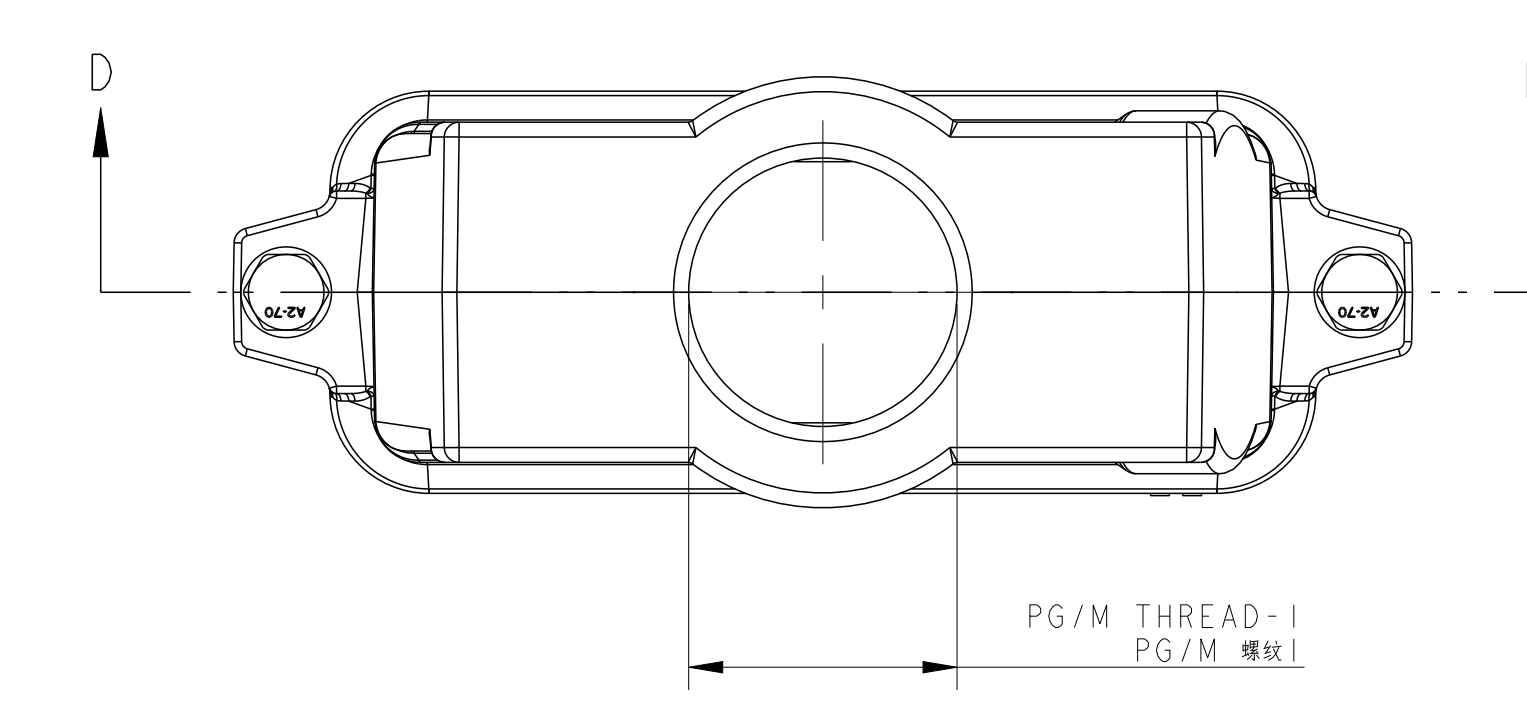
Single PG/M thread & With nonconductive seal, No logo
 单PG/M螺纹孔与导电密封件, 无Logo



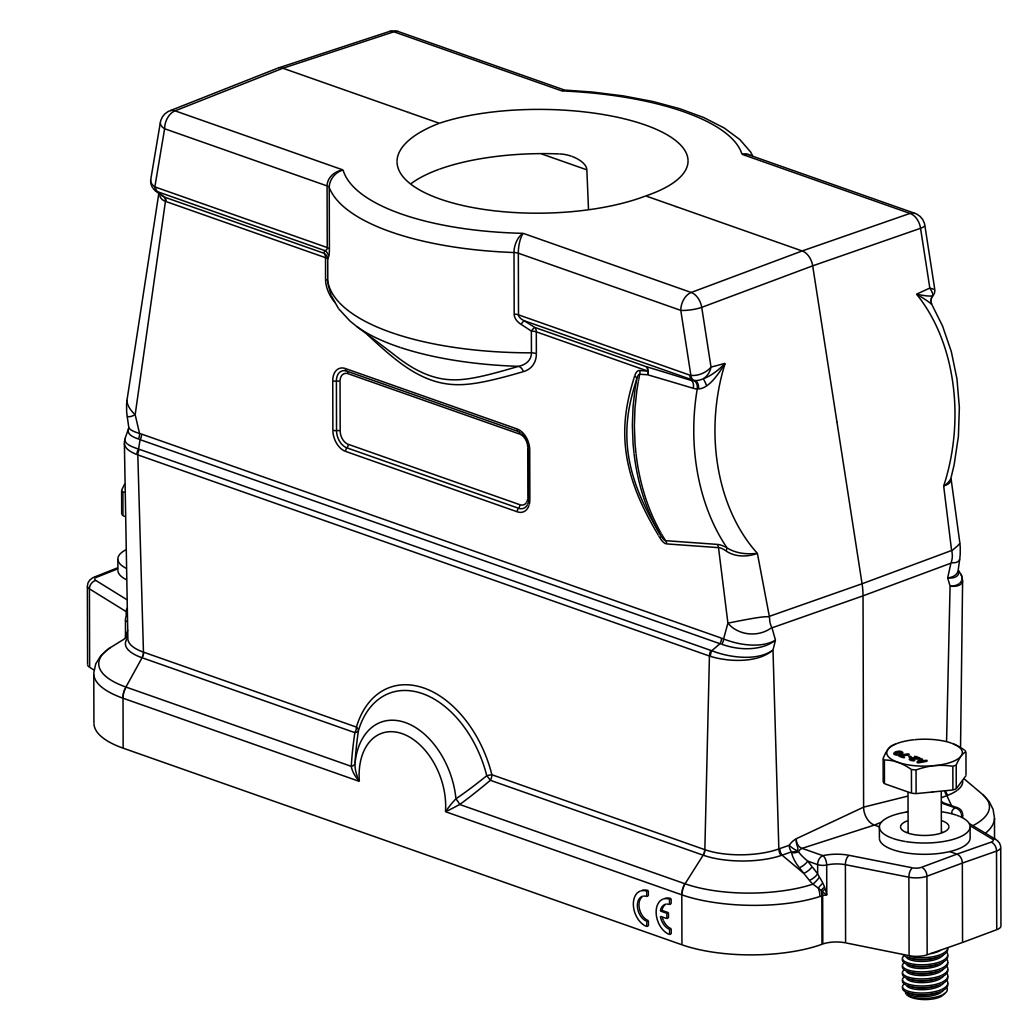
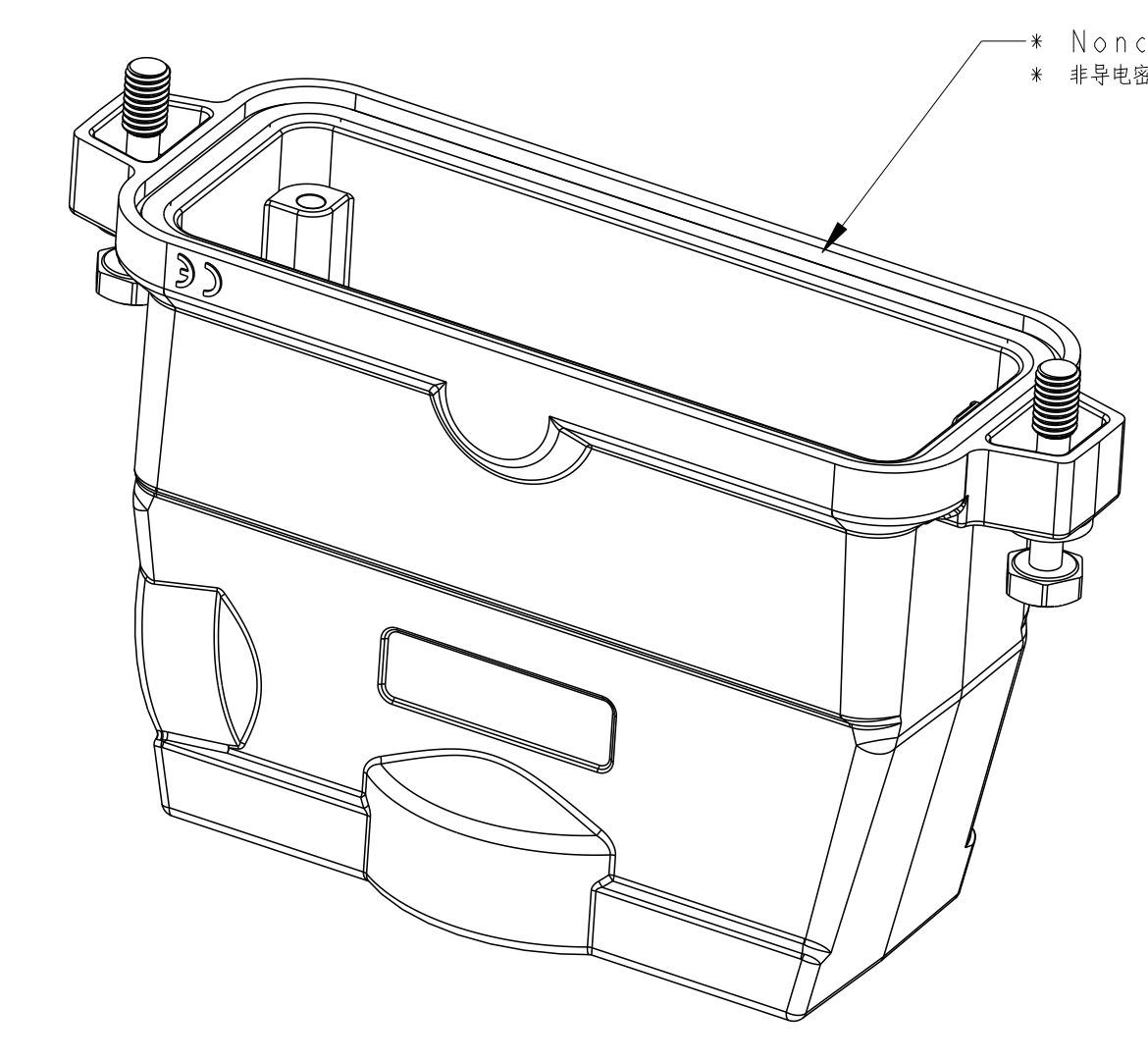
All dimension is same as TYPE 1, except those defined in this TYPE
 除了在本类型中定义的尺寸外, 其他尺寸同类型 1

TYPE 3 类型 3

Single PG/M thread & With conductive seal
 单PG/M螺纹孔与导电密封件



All dimension is same as TYPE 1, except those defined in this TYPE
 除了在本类型中定义的尺寸外, 其他尺寸同类型 1

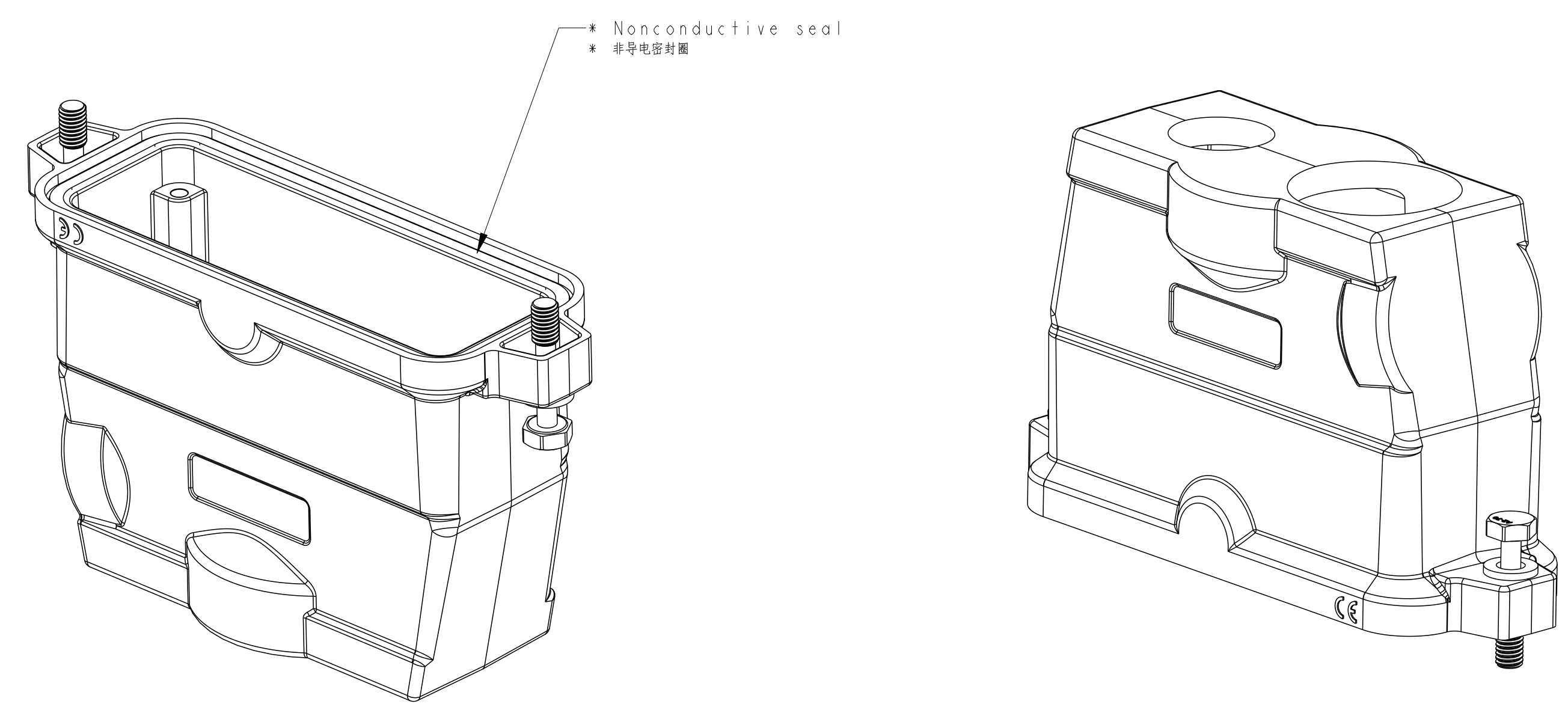
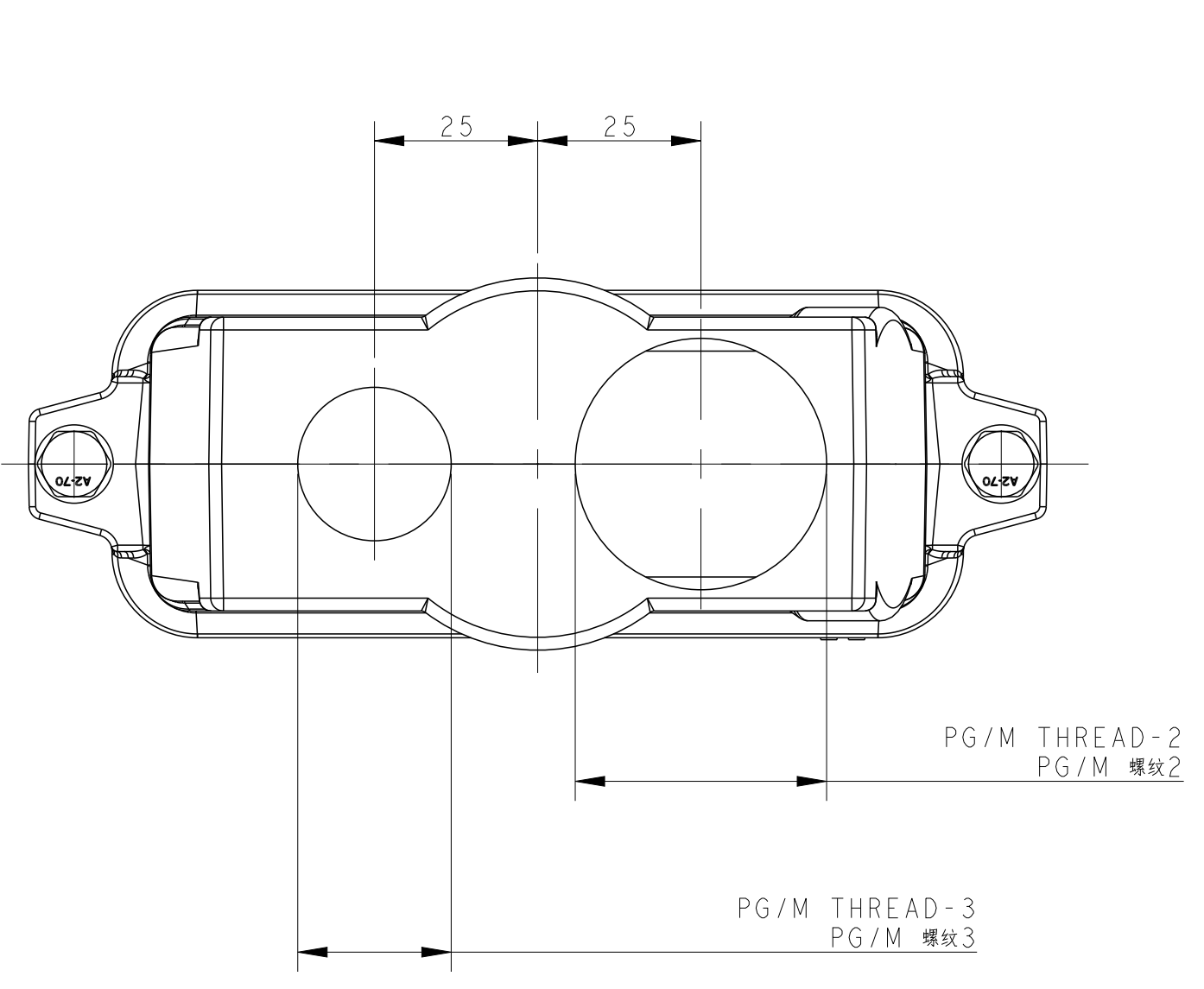


REVISIONS				
REV	DATE	DESCRIPTION	BY	APPD
B5	20M72019	ECR-19-006656	CD	CW
B6	20M72019	ECR-19-007133	BS	CW
C	20M72021	ECR-20-014403	BS	CW
C1	25M72022	ECR-22-136949	OY	CW

THIS DRAWING IS A CONTROLLED DOCUMENT.		DATE: 16 JUN 2015	DRAWN BY: G.Luo_Yao	
DIMENSIONS: (mm)		DATE: 16 JUN 2015	CHECKED BY: C.Li.Ji_Wang	
MATERIAL: -		DATE: 16 JUN 2015	APPROVED BY: Y.Luo_Yao	
FINISH: -		PRODUCT SPEC: 108-137014	NAME: H24BPR-TGHC-PG/M	
CUSTOMER DRAWING		APPLICATION SPEC: 114-137014	SIZE: A0	SCALE: 1:1
		WEIGHT: -	CASE CODE: T192224XXXX00	RESTRICTED TO: -
		ANGLE: -	SCALE: 1:1	SHEET 1 OF 2
		FINISH: -	SCALE: 1:1	REV: C1

TYPE 5 类型5

Two PG/M threads & With nonconductive seal, No Logo
 两个PG/M螺柱孔及带有非导电密封圈, 无Logo

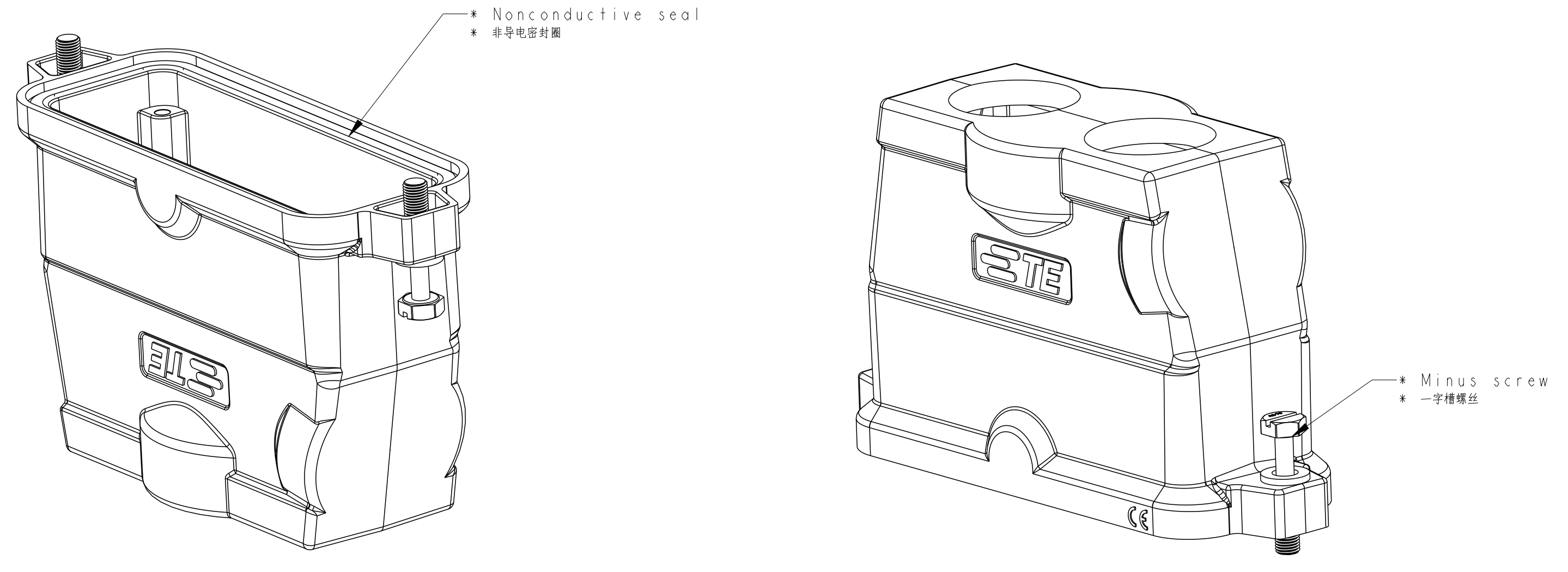
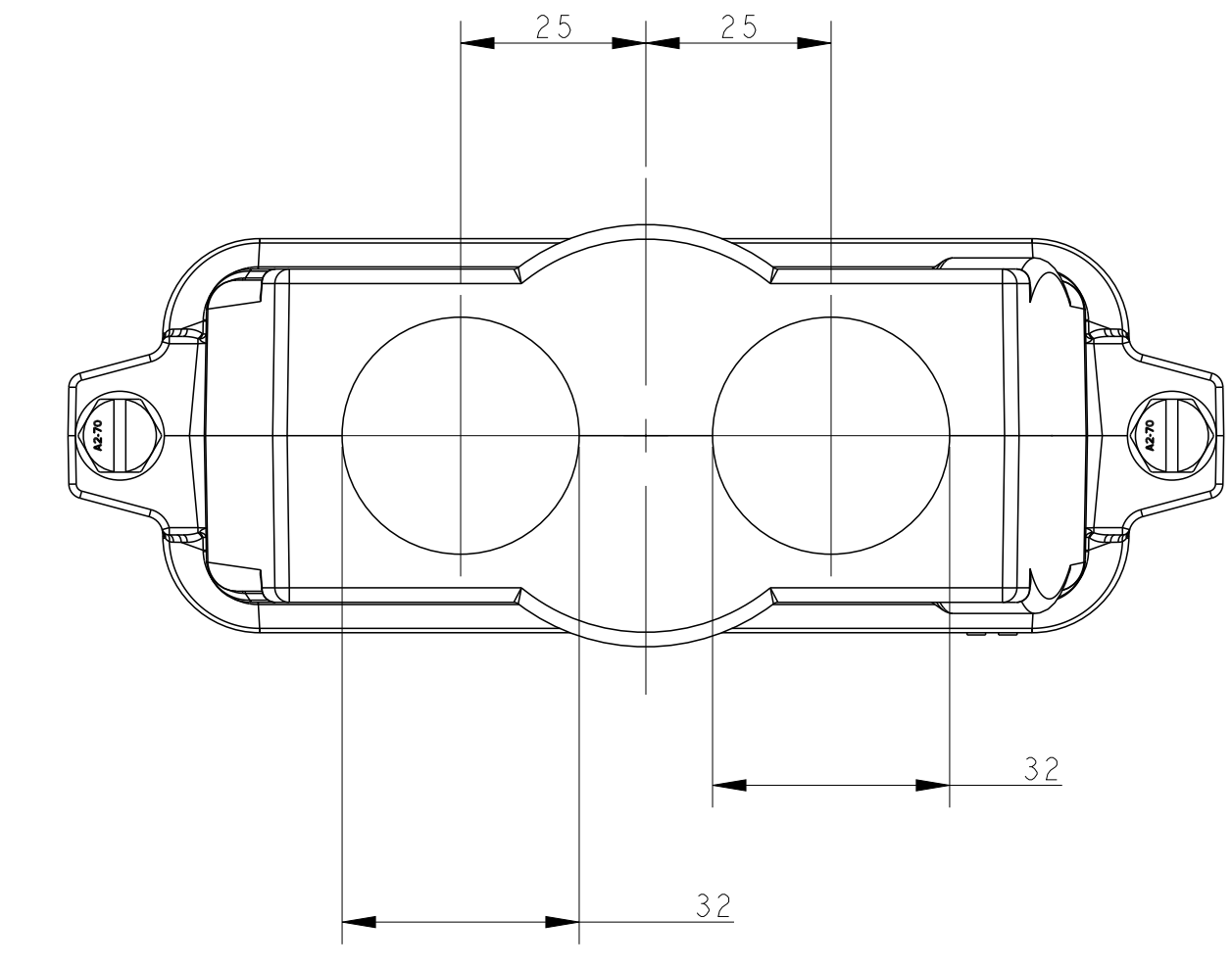


NOTES:
 1. TECHNICAL CHARACTERISTICS:
 HOOD MATERIAL: DIE CAST ALUMINIUM ALLOY
 SURFACE TREATMENT: SEE TABLE
 DEGREE OF PROTECTION: IP68 (MATED)
 注:
 1. 技术参数:
 壳体材料: 铝合金
 表面处理: 见表格
 防护等级: IP68 (配合)

All dimension is same as TYPE 1, except those defined in this TYPE
 除了在本类型中定义的尺寸外, 其他尺寸同类型1

TYPE 6 类型6

Two PG/M threads & With nonconductive seal & Minus screw
 两个PG/M螺柱孔及带有非导电密封圈及一字槽螺柱



All dimension is same as TYPE 1, except those defined in this TYPE
 除了在本类型中定义的尺寸外, 其他尺寸同类型1

PART NUMBER 料号	SURFACE 表面处理	DESCRIPTION 描述	PG/M THREAD-3 PG/M 螺柱3	PG/M THREAD-2 PG/M 螺柱2	PG/M THREAD-1 PG/M 螺柱1	TYPE 类型
T1922242232-000	POWDER COATED, GREY 表面喷涂, 灰色	H24BPR-TGHC-2M32	H24BPR HOOD, CENTER LOCKING, MINUS SCREW, TOP ENTRY 2M32, POWDER COATED, GREY	M32	M32	TYPE 6 类型6
T1922242125-001	POWDER COATED, DEEP GREY 表面喷涂, 深灰色	H24BPR-TGHC-M25	H24BPR HOOD, CENTER LOCKING, TOP ENTRY M25, POWDER COATED, DEEP GREY, NO LOGO	-	M25	TYPE 4 类型4
T1922242132-001	POWDER COATED, DEEP GREY 表面喷涂, 深灰色	H24BPR-TGHC-M32	H24BPR HOOD, CENTER LOCKING, TOP ENTRY M32, POWDER COATED, DEEP GREY, NO LOGO	-	M32	
T1922242150-001	POWDER COATED, DEEP GREY 表面喷涂, 深灰色	H24BPR-TGHC-M50	H24BPR HOOD, CENTER LOCKING, TOP ENTRY M50, POWDER COATED, DEEP GREY, NO LOGO	-	M50	
T1922242140-001	POWDER COATED, DEEP GREY 表面喷涂, 深灰色	H24BPR-TGHC-M40	H24BPR HOOD, CENTER LOCKING, TOP ENTRY M40, POWDER COATED, DEEP GREY, NO LOGO	-	M40	TYPE 5 类型5
T1922244025-001	POWDER COATED, DEEP GREY 表面喷涂, 深灰色	H24BPR-TGHC-M40/M25	H24BPR HOOD, CENTER LOCKING, TOP ENTRY M40/M25, POWDER COATED, DEEP GREY, NO LOGO	M25	M40	
T1922241129-001	POWDER COATED, SILVER WHITE 表面喷涂, 银白色	H24BPR-TGHC-PG29	H24BPR HOOD, CENTER LOCKING, TOP ENTRY PG29, POWDER COATED, SILVER WHITE, CONDUCTIVE, THREAD HOLE WITH STEP	-	PG29	TYPE 3 类型3
T1922240129-001	POWDER COATED, BLACK 表面喷涂, 黑色	H24BPR-TGHC-PG29	H24BPR HOOD, CENTER LOCKING, TOP ENTRY PG29, POWDER COATED, BLACK, CONDUCTIVE, THREAD HOLE WITH STEP	-	PG29	
T1922241221-000	POWDER COATED, SILVER WHITE 表面喷涂, 银白色	H24BPR-TGHC-2PG21	H24BPR HOOD, CENTER LOCKING, TOP ENTRY 2PG21, POWDER COATED, SILVER WHITE	PG21	-	TYPE 2 类型2
T1922241232-000	POWDER COATED, SILVER WHITE 表面喷涂, 银白色	H24BPR-TGHC-M32/M25	H24BPR HOOD, CENTER LOCKING, TOP ENTRY M32/M25, POWDER COATED, SILVER WHITE	M25	M32	
T1922244025-000	POWDER COATED, SILVER WHITE 表面喷涂, 银白色	H24BPR-TGHC-M40/M25	H24BPR HOOD, CENTER LOCKING, TOP ENTRY M40/M25, POWDER COATED, SILVER WHITE	M25	M40	TYPE 1 类型1
T1922241145-000	POWDER COATED, SILVER WHITE 表面喷涂, 银白色	H24BPR-TGHC-M45	H24BPR HOOD, CENTER LOCKING, TOP ENTRY M45, POWDER COATED, SILVER WHITE	-	M45	
T1922241140-000	POWDER COATED, SILVER WHITE 表面喷涂, 银白色	H24BPR-TGHC-M40	H24BPR HOOD, CENTER LOCKING, TOP ENTRY M40, POWDER COATED, SILVER WHITE	-	M40	
T1922241136-000	POWDER COATED, SILVER WHITE 表面喷涂, 银白色	H24BPR-TGHC-PG36	H24BPR HOOD, CENTER LOCKING, TOP ENTRY PG36, POWDER COATED, SILVER WHITE	-	PG36	
T1922241132-000	POWDER COATED, SILVER WHITE 表面喷涂, 银白色	H24BPR-TGHC-M32	H24BPR HOOD, CENTER LOCKING, TOP ENTRY M32, POWDER COATED, SILVER WHITE	-	M32	
T1922241129-000	POWDER COATED, SILVER WHITE 表面喷涂, 银白色	H24BPR-TGHC-PG29	H24BPR HOOD, CENTER LOCKING, TOP ENTRY PG29, POWDER COATED, SILVER WHITE	-	PG29	
T1922241125-000	POWDER COATED, SILVER WHITE 表面喷涂, 银白色	H24BPR-TGHC-M25	H24BPR HOOD, CENTER LOCKING, TOP ENTRY M25, POWDER COATED, SILVER WHITE	-	M25	
T1922241121-000	POWDER COATED, SILVER WHITE 表面喷涂, 银白色	H24BPR-TGHC-PG21	H24BPR HOOD, CENTER LOCKING, TOP ENTRY PG21, POWDER COATED, SILVER WHITE	-	PG21	
T1922240140-000	POWDER COATED, BLACK 表面喷涂, 黑色	H24BPR-TGHC-M40	H24BPR HOOD, CENTER LOCKING, TOP ENTRY M40, POWDER COATED, BLACK	-	M40	
T1922240136-000	POWDER COATED, BLACK 表面喷涂, 黑色	H24BPR-TGHC-PG36	H24BPR HOOD, CENTER LOCKING, TOP ENTRY PG36, POWDER COATED, BLACK	-	PG36	
T1922240132-000	POWDER COATED, BLACK 表面喷涂, 黑色	H24BPR-TGHC-M32	H24BPR HOOD, CENTER LOCKING, TOP ENTRY M32, POWDER COATED, BLACK	-	M32	
T1922240129-000	POWDER COATED, BLACK 表面喷涂, 黑色	H24BPR-TGHC-PG29	H24BPR HOOD, CENTER LOCKING, TOP ENTRY PG29, POWDER COATED, BLACK	-	PG29	
T1922240125-000	POWDER COATED, BLACK 表面喷涂, 黑色	H24BPR-TGHC-M25	H24BPR HOOD, CENTER LOCKING, TOP ENTRY M25, POWDER COATED, BLACK	-	M25	
T1922240121-000	POWDER COATED, BLACK 表面喷涂, 黑色	H24BPR-TGHC-PG21	H24BPR HOOD, CENTER LOCKING, TOP ENTRY PG21, POWDER COATED, BLACK	-	PG21	

THIS DRAWING IS A CONTROLLED DOCUMENT. DATE: 16JUN2015
 DIMENSIONS: (mm) DIMENSIONS UNLESS OTHERWISE SPECIFIED. DATE: 16JUN2015
 MATERIAL: ALUMINUM ALLOY. FINISH: ANODIZED. WEIGHT: 114.137014. CUSTOMER DRAWING.
 DRAWN: G. Bao, Y. Wang. CHECKED: C. Li, J. Wang. APPROVED: Y. Bao, Y. Wang. PRODUCT SPEC: 108-137014. APPLICATION SPEC: 114-137014.
 SCALE: 1:1. SHEET 2 OF 2. REV C1.