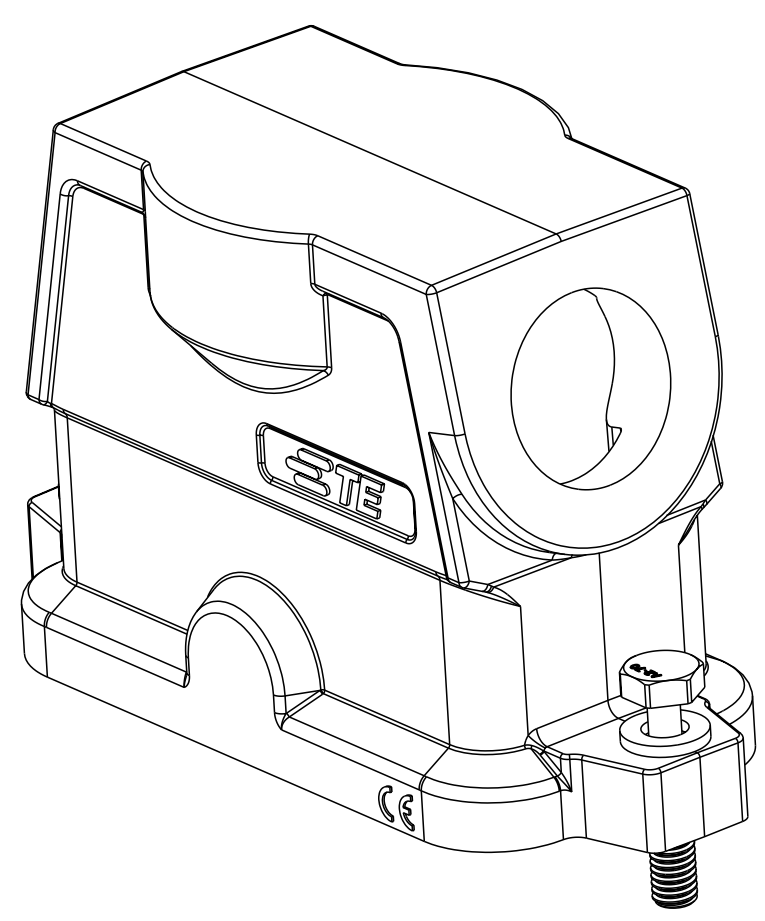
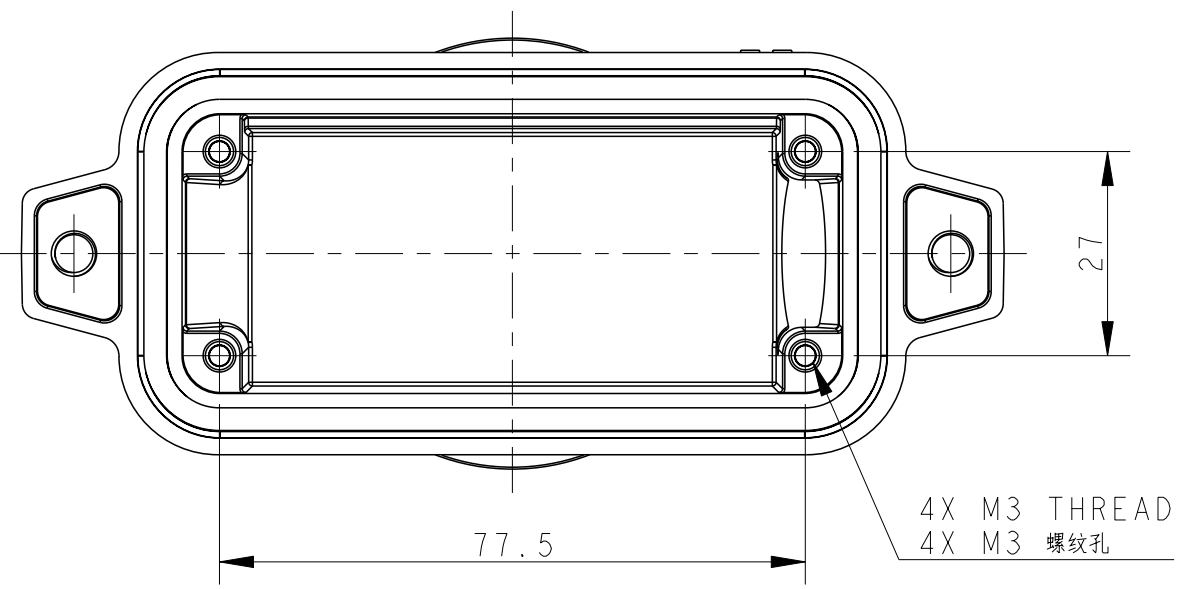
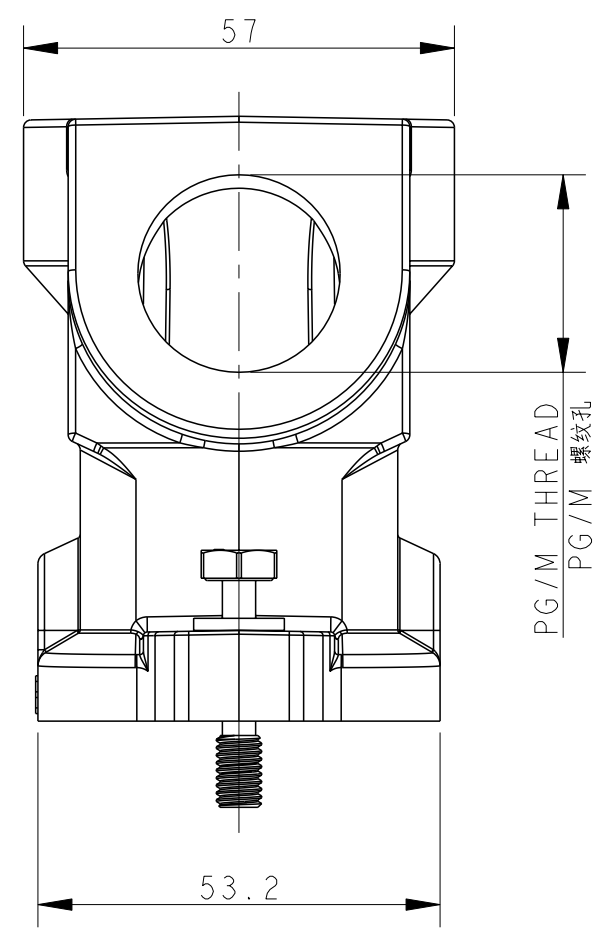
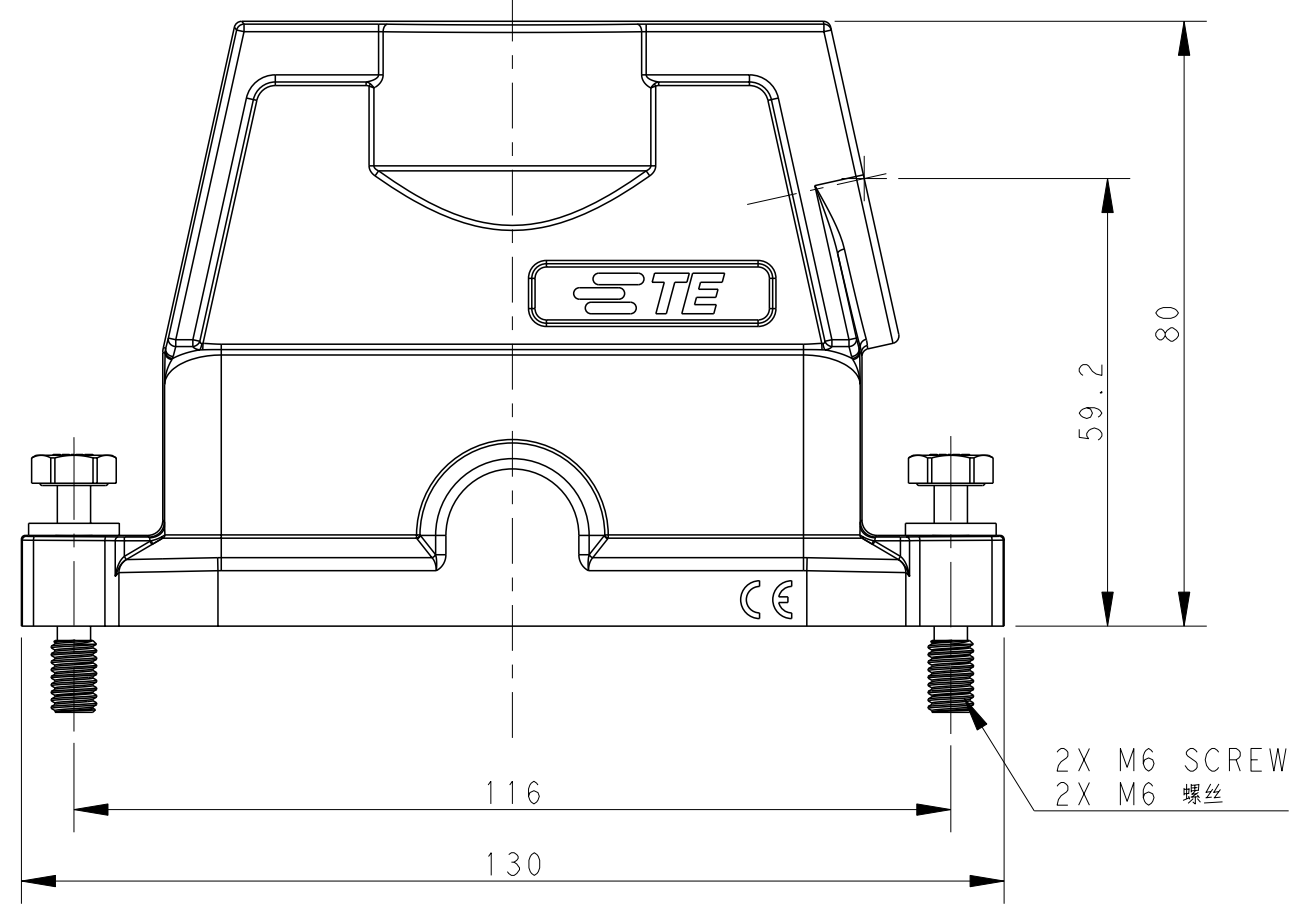


THIS DRAWING IS UNPUBLISHED. RELEASED FOR PUBLICATION 20
 © COPYRIGHT 20 BY - ALL RIGHTS RESERVED.

REVISIONS				
P	LTR	DESCRIPTION	DATE	APVD
A		INITIAL RELEASE	08OCT2016	DW CW
B		ECR-20-016312	03JUN2021	BS CW



NOTES:
 1. TECHNICAL CHARACTERISTICS:
 HOOD MATERIAL: DIE CAST ALUMINIUM ALLOY
 SURFACE: SEE TABLE
 DEGREE OF PROTECTION: IP68 (MATED)

注释:
 1. 技术参数:
 壳体材料: 铝合金
 表面处理: 见表格
 防护等级: IP68 (配合)

PART NUMBER 料号	DESCRIPTION 描述	PG/M THREAD PG/M 螺纹
T1912161140-009	H16BPR-TSHC-M40-EMC-C H16BPR 中部锁定侧出壳M40 银白色	M40
T1912161132-009	H16BPR-TSHC-M32-EMC-C H16BPR 中部锁定侧出壳M32 银白色	M32
T1912161129-009	H16BPR-TSHC-PG29-EMC-C H16BPR 中部锁定侧出壳PG29 银白色	PG29
T1912161125-009	H16BPR-TSHC-M25-EMC-C H16BPR 中部锁定侧出壳M25 银白色	M25
T1912161121-009	H16BPR-TSHC-PG21-EMC-C H16BPR 中部锁定侧出壳PG21 银白色	PG21
T1912160140-009	H16BPR-TSHC-M40-EMC-C H16BPR 中部锁定侧出壳M40 黑色	M40
T1912160132-009	H16BPR-TSHC-M32-EMC-C H16BPR 中部锁定侧出壳M32 黑色	M32
T1912160129-009	H16BPR-TSHC-PG29-EMC-C H16BPR 中部锁定侧出壳PG29 黑色	PG29
T1912160125-009	H16BPR-TSHC-M25-EMC-C H16BPR 中部锁定侧出壳M25 黑色	M25
T1912160121-009	H16BPR-TSHC-PG21-EMC-C H16BPR 中部锁定侧出壳PG21 黑色	PG21

THIS DRAWING IS A CONTROLLED DOCUMENT.

DWN: DAVID WANG 08OCT2016
 CHK: CHRIS WANG 08OCT2016
 APVD: XIANG XU 08OCT2016

DAVID WANG
 CHRIS WANG
 XIANG XU

TE Connectivity

NAME: H16BPR-TSHC-PG/M-EMC-C

PRODUCT SPEC: 108-137191
 APPLICATION SPEC: 114-137191

SIZE: A2 CAGE CODE: - DRAWING NO: C-T191216XXXXX09 RESTRICTED TO: -
 WEIGHT: - SCALE: 1:1 SHEET 1 OF 1 REV B

Customer Drawing

Printed on 8 Jun 2021 09:12 (China Standard Time) from IE236667