

THIS DRAWING IS UNPUBLISHED.

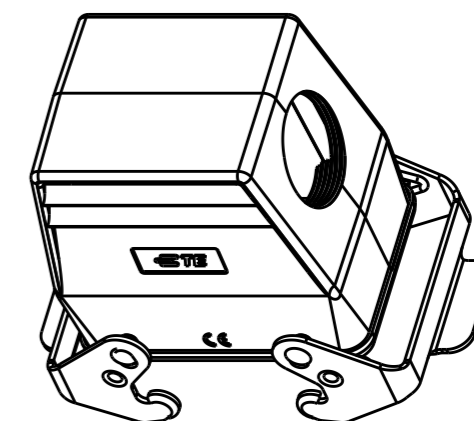
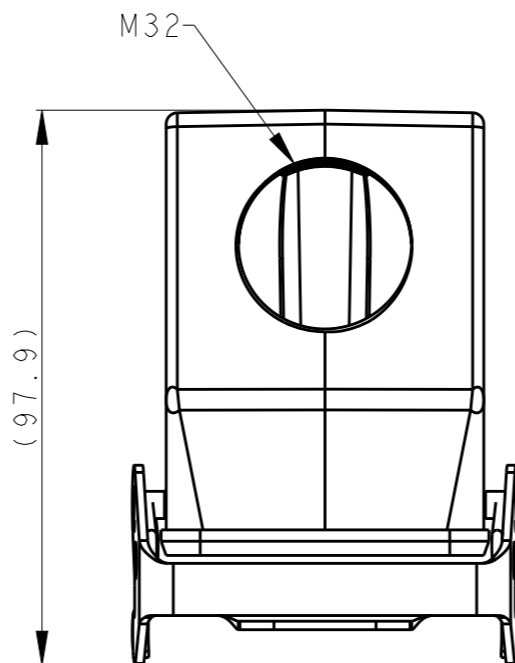
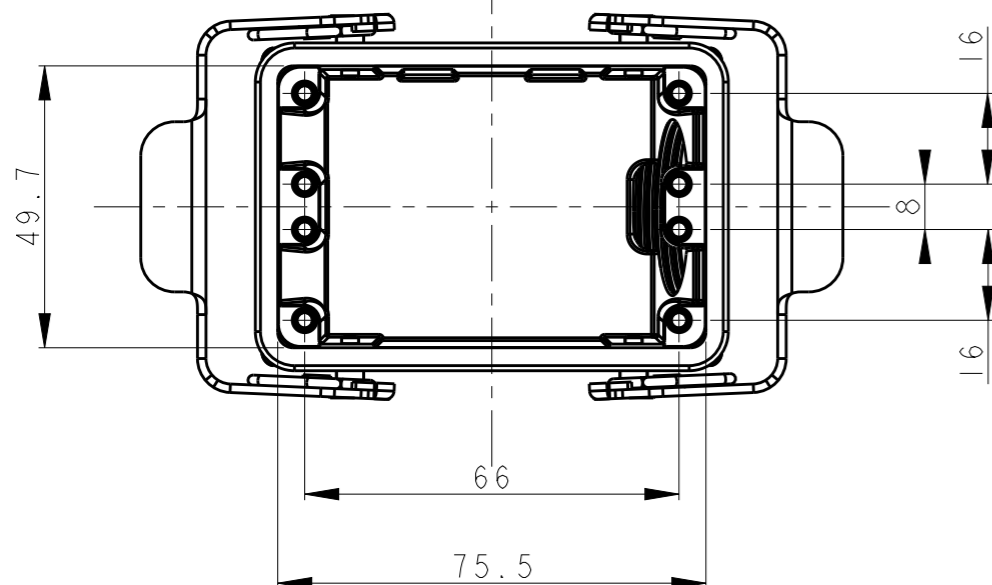
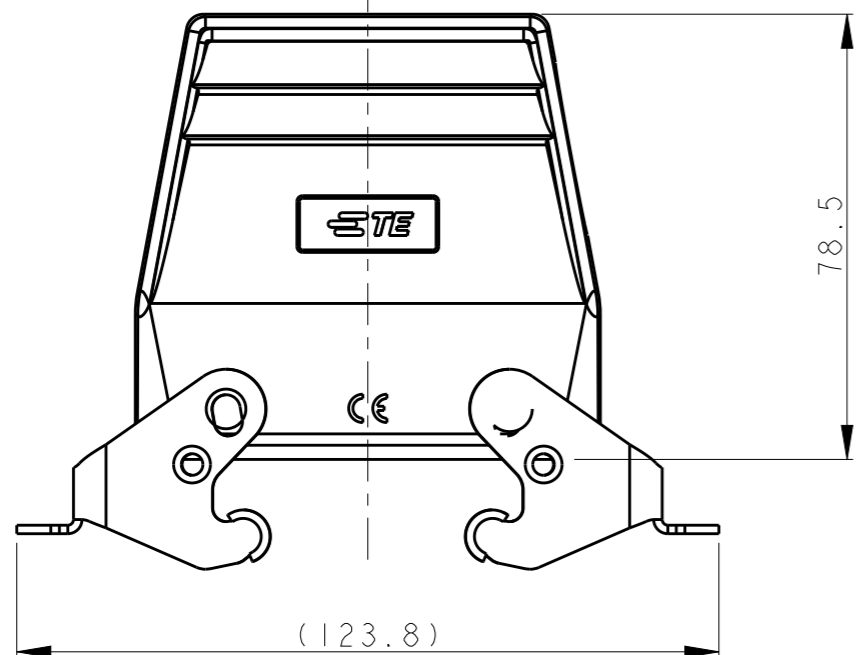
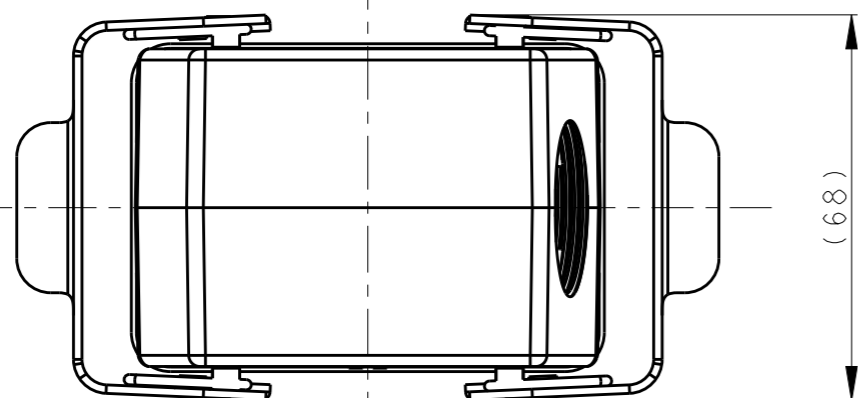
RELEASED FOR PUBLICATION

20

© COPYRIGHT 20 BY - ALL RIGHTS RESERVED.

REVISIONS

P	LTR	DESCRIPTION	DATE	DWN	APVD
	A	INITIAL RELEASE	29APR2015	DL	CW
	B	ECR-20-010477	28DEC2020	BS	CW




SCALE 1:2

NOTES:
 1. TECHNICAL CHARACTERISTICS:
 BODY MATERIAL: DIE CAST ALUMINIUM ALLOY
 SURFACE TREATMENT: POWDER-COATED, GRAY
 DEGREE OF PROTECTION: IP65 (MATED)

注释:
 1. 技术参数:
 主体材料: 铝合金
 表面处理: 粉末喷涂, 灰色
 防护等级: IP65(配合)

T1729322132-000	H32A-TSBF-M32	M32
ASSEMBLY PART NUMBER	ASSEMBLY PART DESCRIPTION	PG/M

THIS DRAWING IS A CONTROLLED DOCUMENT.		DWN 29APR2015 DAVID LI	 TE Connectivity					
DIMENSIONS: mm		CHK 29APR2015 CHRIS WANG			NAME H32A-TSBF-M32			
TOLERANCES UNLESS OTHERWISE SPECIFIED:		APVD 29APR2015 XU XIANG						
0 PLC ±- 1 PLC ±- 2 PLC ±- 3 PLC ±- 4 PLC ±- ANGLES ±-		PRODUCT SPEC 108-137010						
MATERIAL -		FINISH -	APPLICATION SPEC 114-137010	SIZE A3	CAGE CODE -	DRAWING NO C-T1729322132000	RESTRICTED TO -	
-		-	WEIGHT -	CUSTOMER DRAWING		SCALE 3:4	SHEET 1 OF 1	REV B