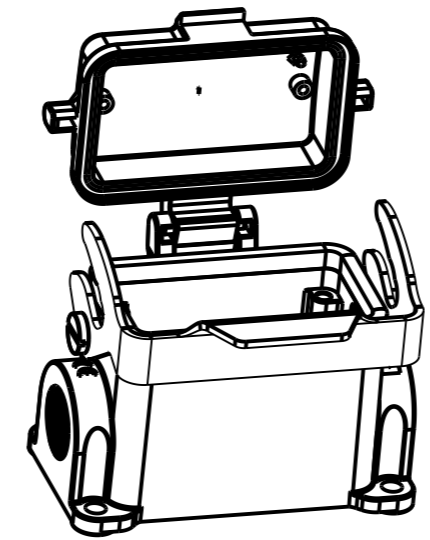
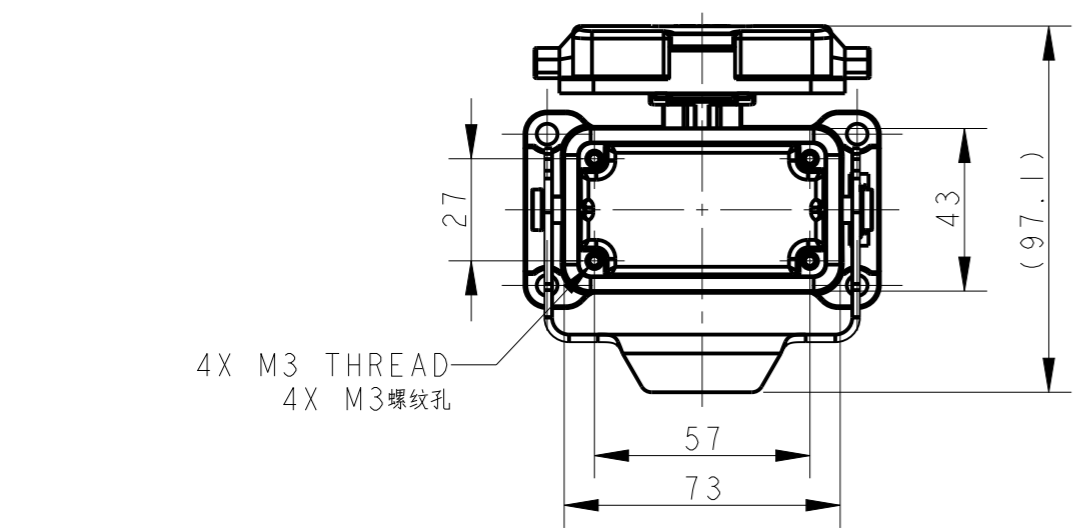


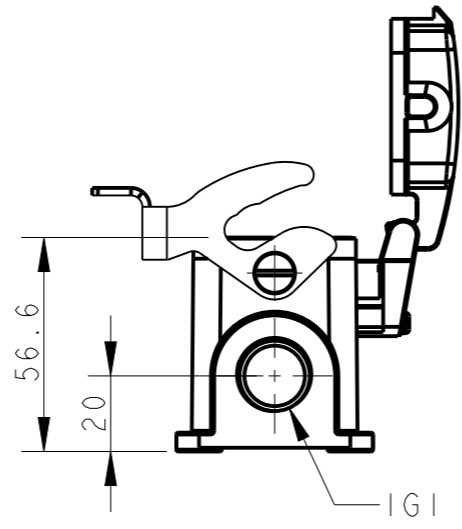
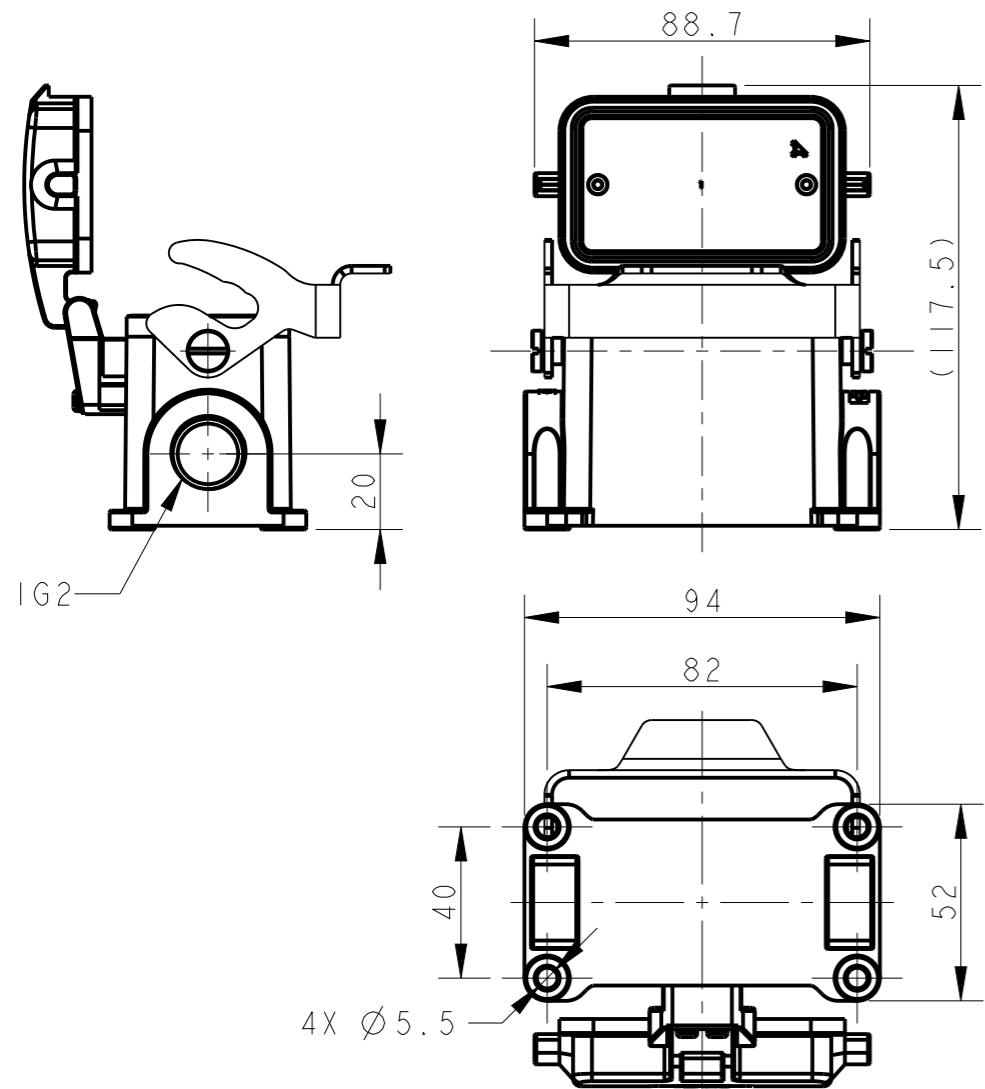
THIS DRAWING IS UNPUBLISHED. RELEASED FOR PUBLICATION 20
 © COPYRIGHT 20 BY - ALL RIGHTS RESERVED.

REVISIONS					
P	LTR	DESCRIPTION	DATE	DWN	APVD
	A	INITIAL RELEASE	25JUN2015	DL	CW
	A1	ECR-18-017123	17DEC2018	KW	CW
	B	ECR-20-008181	16JUL2020	WQR	CW



NOTES:
 1. TECHNICAL CHARACTERISTICS:
 BODY MATERIAL: DIE CAST ALUMINIUM ALLOY
 SURFACE TREATMENT: POWDER-COATED, GRAY
 DEGREE OF PROTECTION: IP65 (MATED)

注释:
 1. 技术参数:
 主体材料: 铝合金
 表面处理: 粉末喷涂, 灰色
 防护等级: IP65(配合)



PART NUMBER	料号	PART DESCRIPTION	描述	IG1	IG2	TYPE
TI620103116-000	H10B-SDR-LB-PG16	H10B HOUSING,SURFACE MOUNTED,METAL SINGLE LOCKING,PG16, PLASTIC PROTECTION COVER,POWDER COATED,GREY H10B下壳,表面安装,彩锌单扣,PG16,带塑料保护盖,灰色粉末喷涂		PG16	-	
TI620103120-000	H10B-SDR-LB-M20	H10B HOUSING,SURFACE MOUNTED,METAL SINGLE LOCKING,M20, PLASTIC PROTECTION COVER,POWDER COATED,GREY H10B下壳,表面安装,彩锌单扣,M20,带塑料保护盖,灰色粉末喷涂		M20	-	
TI620103121-000	H10B-SDR-LB-PG21	H10B HOUSING,SURFACE MOUNTED,METAL SINGLE LOCKING,PG21, PLASTIC PROTECTION COVER,POWDER COATED,GREY H10B下壳,表面安装,彩锌单扣,PG21,带塑料保护盖,灰色粉末喷涂		PG21	-	
TI620103125-000	H10B-SDR-LB-M25	H10B HOUSING,SURFACE MOUNTED,METAL SINGLE LOCKING,M25, PLASTIC PROTECTION COVER,POWDER COATED,GREY H10B下壳,表面安装,彩锌单扣,M25,带塑料保护盖,灰色粉末喷涂		M25	-	TYPE I
TI620103216-000	H10B-SDR-LB-2PG16	H10B HOUSING,SURFACE MOUNTED,METAL SINGLE LOCKING,2PG16, PLASTIC PROTECTION COVER,POWDER COATED,GREY H10B下壳,表面安装,彩锌单扣,2PG16,带塑料保护盖,灰色粉末喷涂		PG16	PG16	
TI620103220-000	H10B-SDR-LB-2M20	H10B HOUSING,SURFACE MOUNTED,METAL SINGLE LOCKING,2M20, PLASTIC PROTECTION COVER,POWDER COATED,GREY H10B下壳,表面安装,彩锌单扣,2M20,带塑料保护盖,灰色粉末喷涂		M20	M20	
TI620103225-000	H10B-SDR-LB-2M25	H10B HOUSING,SURFACE MOUNTED,METAL SINGLE LOCKING,2M25, PLASTIC PROTECTION COVER,POWDER COATED,GREY H10B下壳,表面安装,彩锌单扣,2M25,带塑料保护盖,灰色粉末喷涂		M25	M25	

TYPE I: H10B HOUSING,SURFACE MOUNTED,METAL SINGLE LOCKING, PLASTIC PROTECTION COVER,POWDER COATED,GREY
 类型I 10B下壳,表面安装,彩锌单扣,带塑料保护盖,灰色粉末喷涂

THIS DRAWING IS A CONTROLLED DOCUMENT.

DWN	DAVID LI	25JUN2015	 TE Connectivity
CHK	CHRIS WANG	25JUN2015	
APVD	XU XIANG	25JUN2015	
NAME	H10B-SDR-LB-PG/M		
DIMENSIONS:	mm		PRODUCT SPEC
TOLERANCES UNLESS OTHERWISE SPECIFIED:			108-137013
0 PLC ±-			APPLICATION SPEC
1 PLC ±-			114-137013
2 PLC ±-			WEIGHT
3 PLC ±-			-
4 PLC ±-			CUSTOMER DRAWING
ANGLES ±-			SCALE
FINISH			1:2
MATERIAL			SHEET
-			1 OF 2
-			REV
-			B

THIS DRAWING IS UNPUBLISHED.

RELEASED FOR PUBLICATION

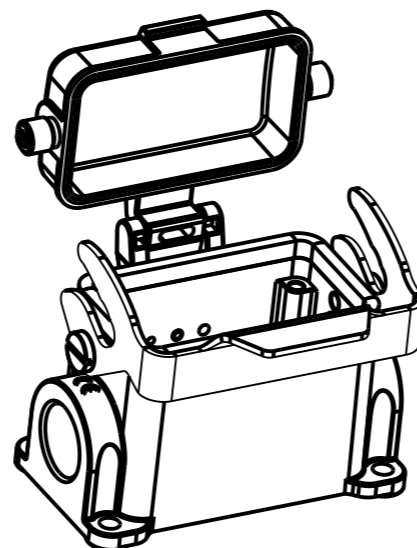
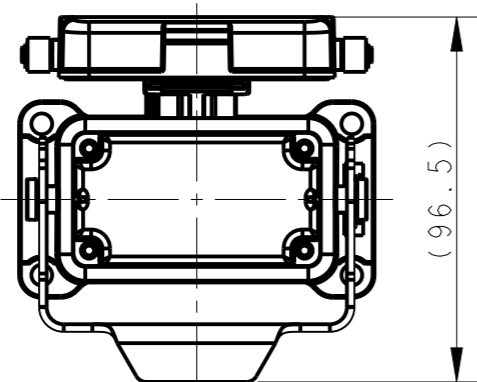
20

© COPYRIGHT 20 BY -

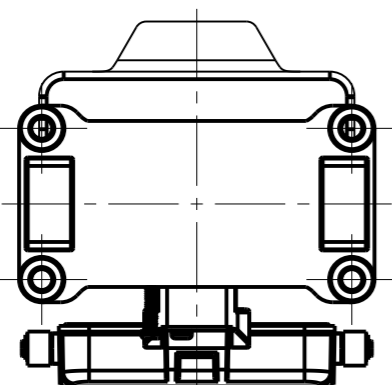
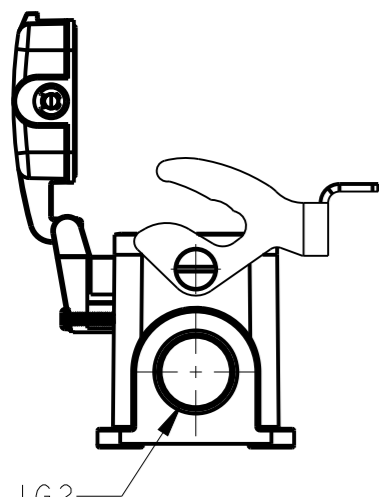
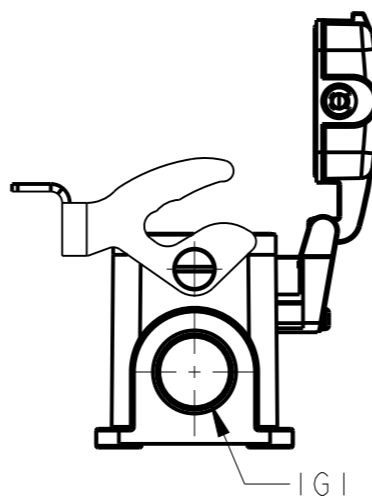
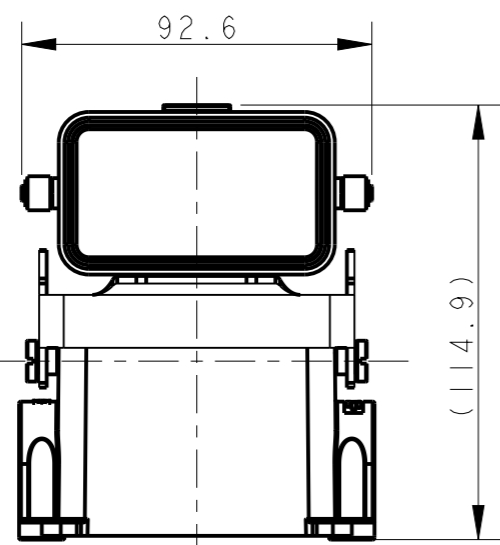
ALL RIGHTS RESERVED.

REVISIONS

P	LTR	DESCRIPTION	DATE	DWN	APVD
-	-	SEE SHEET 1	-	-	-



NOTES:
SEE SHEET 1
注释:
见第1页.

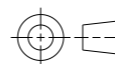


PART NUMBER	PART DESCRIPTION	IG1	IG2	TYPE
料号	描述	螺纹孔1	螺纹孔2	类型
TI620103416-000	H10B-HOUSING,SURFACE MOUNTED,METAL SINGLE LOCKING,PG16, METAL PROTECTION COVER,POWDER COATED,GREY H10B下壳,表面安装,彩锌单扣,PG16,带金属保护盖,灰色粉末喷涂	PG16	-	-
TI620103420-000	H10B-HOUSING,SURFACE MOUNTED,METAL SINGLE LOCKING,M20, METAL PROTECTION COVER,POWDER COATED,GREY H10B下壳,表面安装,彩锌单扣,M20,带金属保护盖,灰色粉末喷涂	M20	-	-
TI620103421-000	H10B-HOUSING,SURFACE MOUNTED,METAL SINGLE LOCKING,PG21, METAL PROTECTION COVER,POWDER COATED,GREY H10B下壳,表面安装,彩锌单扣,PG21,带金属保护盖,灰色粉末喷涂	PG21	-	-
TI620103425-000	H10B-HOUSING,SURFACE MOUNTED,METAL SINGLE LOCKING,M25, METAL PROTECTION COVER,POWDER COATED,GREY H10B下壳,表面安装,彩锌单扣,M25,带金属保护盖,灰色粉末喷涂	M25	-	TYPE 2
TI620103316-000	H10B-HOUSING,SURFACE MOUNTED,METAL SINGLE LOCKING,2PG16, METAL PROTECTION COVER,POWDER COATED,GREY H10B下壳,表面安装,彩锌单扣,2PG16,带金属保护盖,灰色粉末喷涂	PG16	PG16	-
TI620103320-000	H10B-HOUSING,SURFACE MOUNTED,METAL SINGLE LOCKING,2M20, METAL PROTECTION COVER,POWDER COATED,GREY H10B下壳,表面安装,彩锌单扣,2M20,带金属保护盖,灰色粉末喷涂	M20	M20	-
TI620103325-000	H10B-HOUSING,SURFACE MOUNTED,METAL SINGLE LOCKING,2M25, METAL PROTECTION COVER,POWDER COATED,GREY H10B下壳,表面安装,彩锌单扣,2M25,带金属保护盖,灰色粉末喷涂	M25	M25	-

TYPE 2: H10B HOUSING,METAL PROTECTION COVER
OTHER SPEC REFER TO TYPE 1
类型2 H10B下壳,带金属保护盖,其它参考类型1

THIS DRAWING IS A CONTROLLED DOCUMENT.

DIMENSIONS:
mm



TOLERANCES UNLESS OTHERWISE SPECIFIED:

0 PLC	±-
1 PLC	±-
2 PLC	±-
3 PLC	±-
4 PLC	±-
ANGLES	±-

MATERIAL

FINISH

DWN 25JUN2015

DAVID LI

CHK 25JUN2015

CHRIS WANG

APVD 25JUN2015

XU XIANG

PRODUCT SPEC

108-137013

APPLICATION SPEC

114-137013

WEIGHT

-

CUSTOMER DRAWING



TE Connectivity

NAME H10B-SDRM-LB-PG/M

SIZE A3 CAGE CODE - DRAWING NO. ©-TI62010XXXX000 RESTRICTED TO

SCALE 1:2 SHEET 2 OF 2 REV B