

4

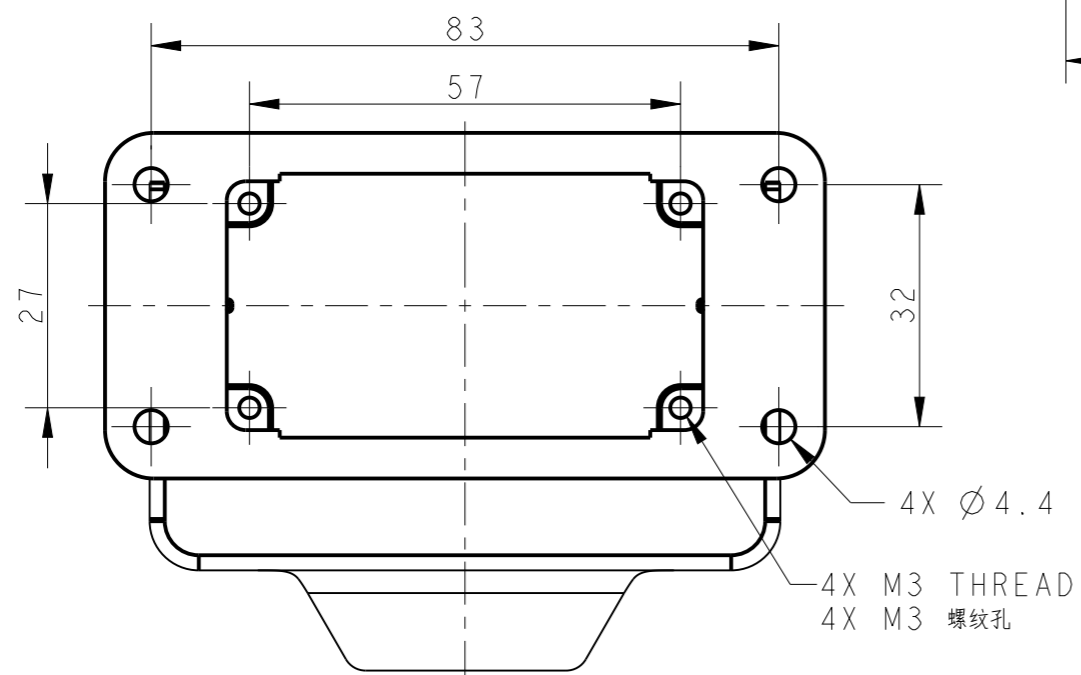
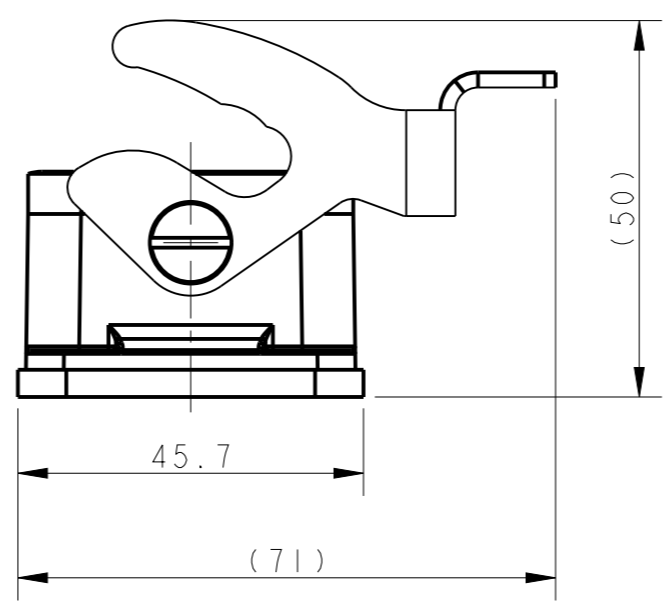
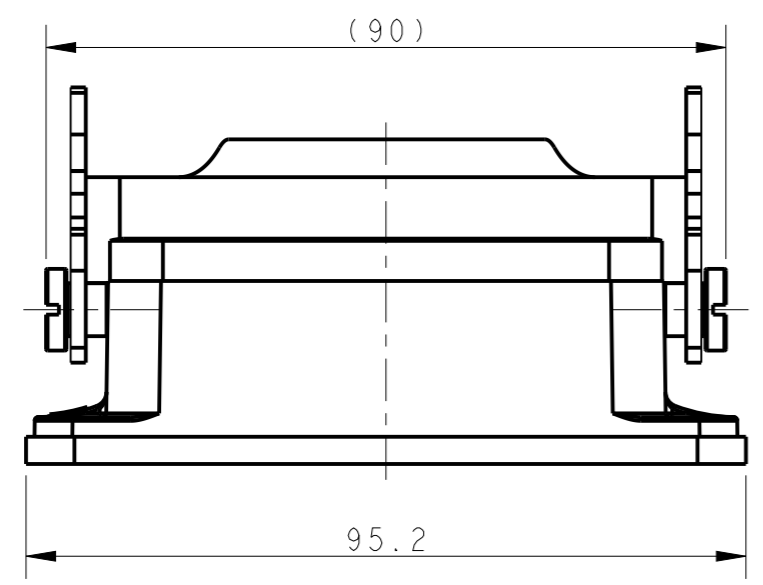
3

2

1

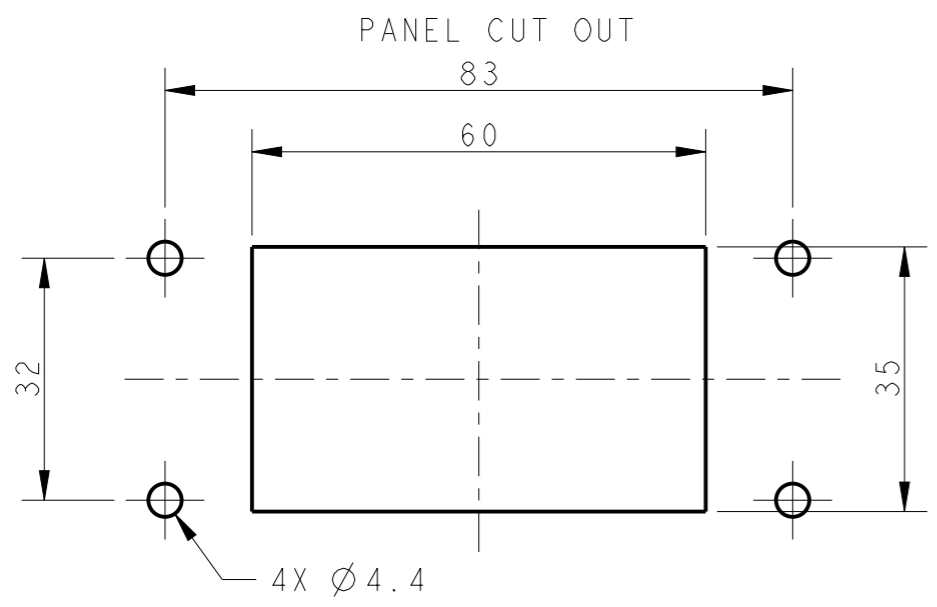
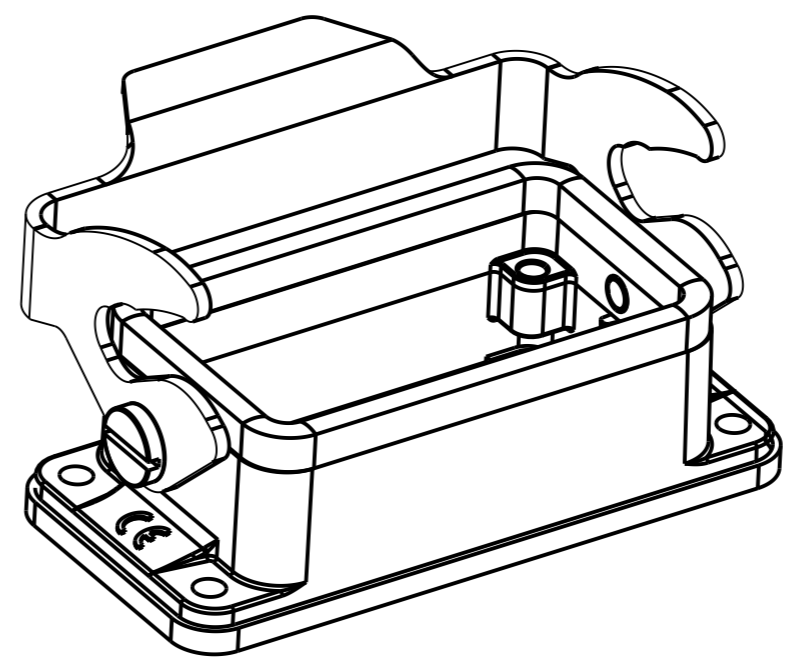
THIS DRAWING IS UNPUBLISHED. RELEASED FOR PUBLICATION 20
© COPYRIGHT 20 BY - ALL RIGHTS RESERVED.

REVISIONS					
P	LTR	DESCRIPTION	DATE	DWN	APVD
	A	INITIAL	25JUN2015	DW	CW
	B	ECR-20-008181	13JUL2020	WQR	CW




NOTES:
 1. TECHNICAL CHARACTERISTICS:
 HOUSING MATERIAL: DIE CAST ALUMINIUM ALLOY
 SURFACE: POWDER COATED, GREY
 DEGREE OF PROTECTION: IP65 (MATED)

注释:
 1. 技术参数:
 下壳材料: 铝合金
 表面处理: 粉末涂层, 灰色
 防护等级: IP65 (配合)



T1500103000-000	H10B-AG-LB
PART NUMBER	DESCRIPTION

THIS DRAWING IS A CONTROLLED DOCUMENT.		DWN 25JUN2015 David Wang	 TE Connectivity			
DIMENSIONS: mm		CHK 25JUN2015 Chris Wang			NAME H10B-AG-LB	
TOLERANCES UNLESS OTHERWISE SPECIFIED:		APVD 25JUN2015 Xiang Xu				
0 PLC ±- 1 PLC ±- 2 PLC ±- 3 PLC ±- 4 PLC ±- ANGLES ±-		PRODUCT SPEC 108-137013				
MATERIAL	FINISH	APPLICATION SPEC 114-137013	SIZE	CAGE CODE	DRAWING NO	RESTRICTED TO
-	-	WEIGHT	A3	00779	©-T1500103000000	-
Customer Drawing			SCALE	SHEET	OF	REV
			1:1	1	1	B