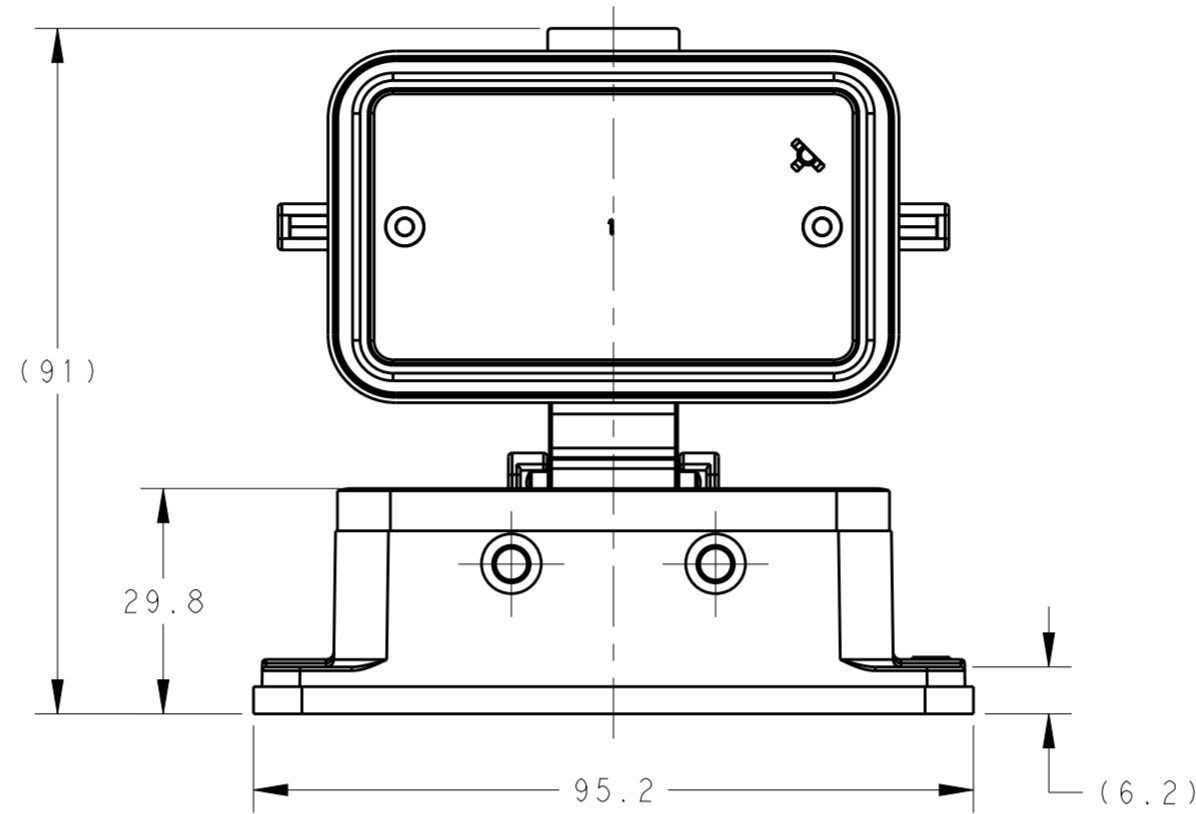
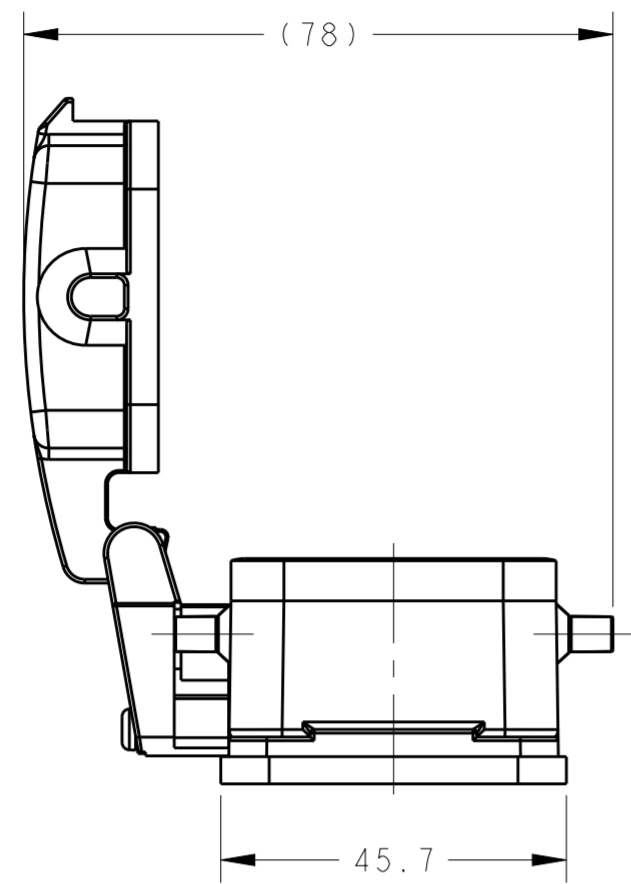


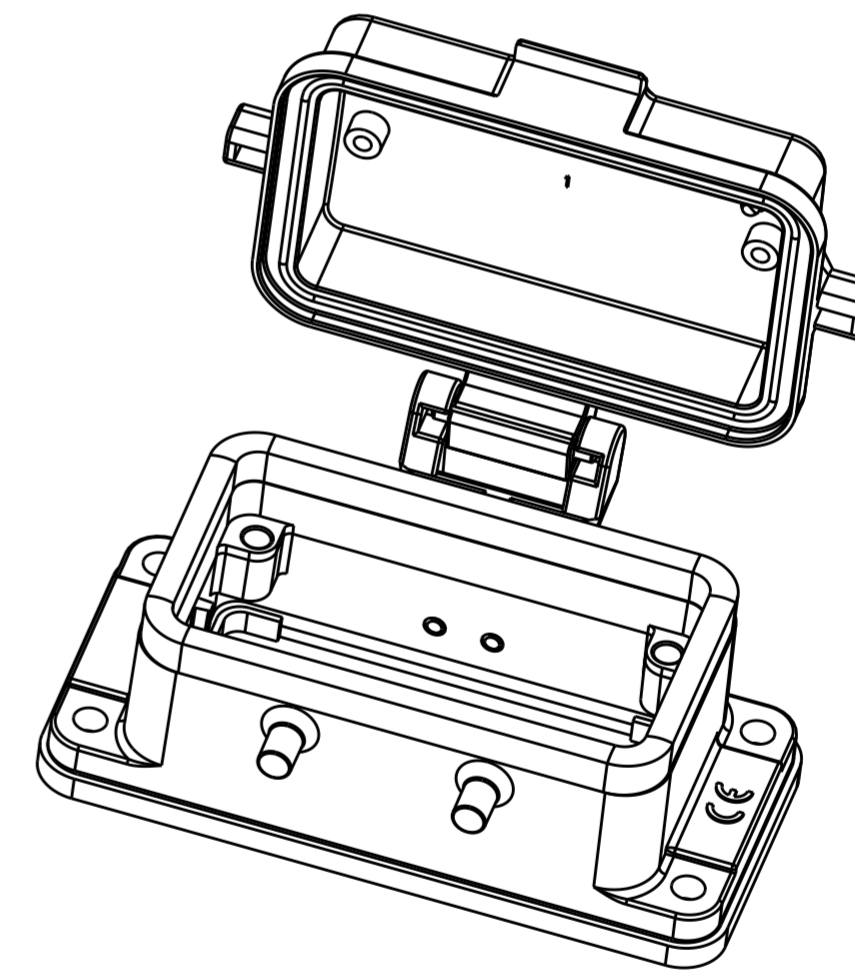
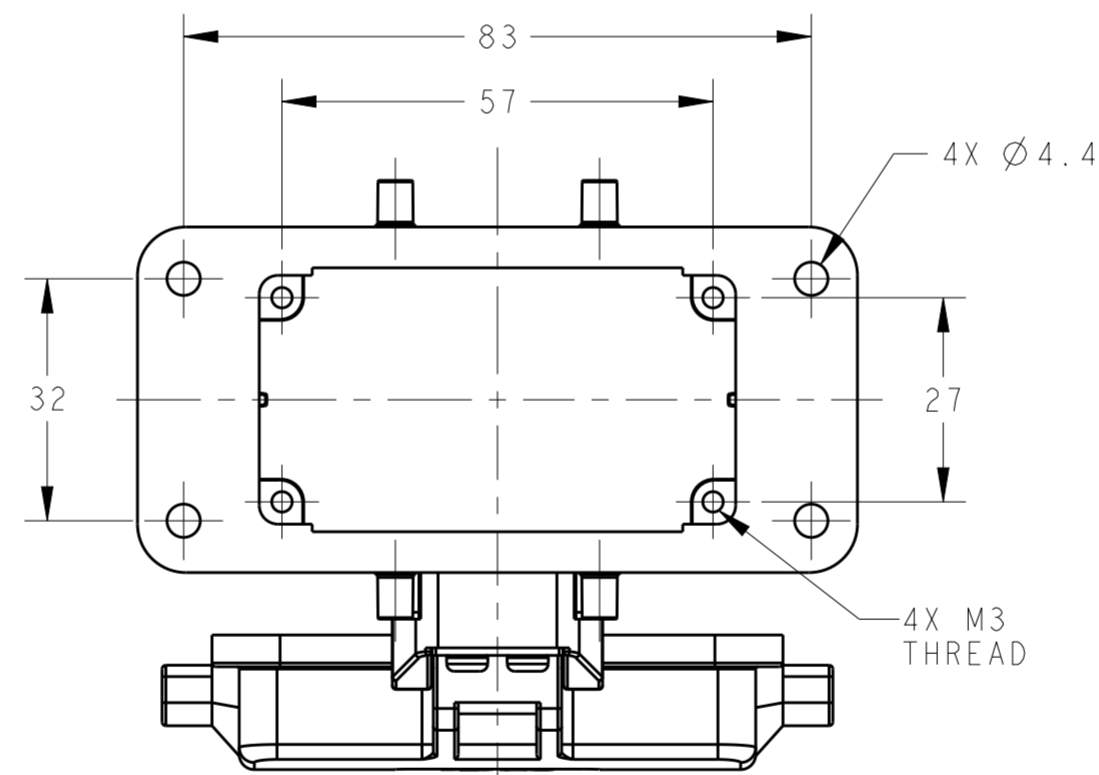
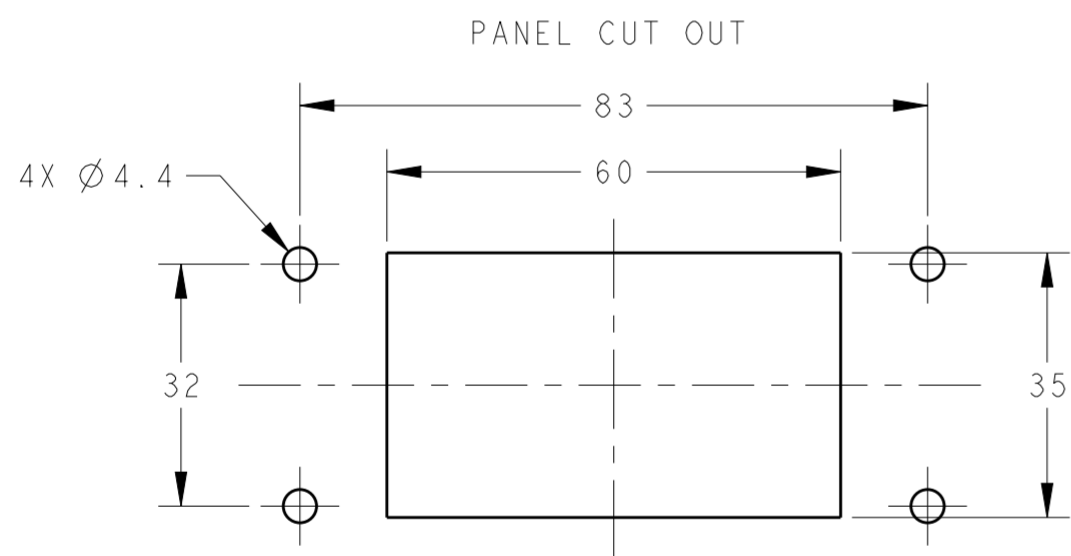
THIS DRAWING IS UNPUBLISHED. RELEASED FOR PUBLICATION 20
 © COPYRIGHT 20 BY - ALL RIGHTS RESERVED.

REVISIONS					
P	LTR	DESCRIPTION	DATE	DWN	APVD
A		INITIAL	18JUN2015	DW	CW
B		ECR-20-008181	06JUL2020	WOR	CW



NOTES:
 1. TECHNICAL CHARACTERISTICS:
 HOUSING MATERIAL: DIE CAST ALUMINIUM ALLOY
 SURFACE: POWDER COATED, GREY
 DEGREE OF PROTECTION: IP65 (MATED)

注释:
 1. 技术参数:
 下壳材料: 铝合金
 表面处理: 粉末涂层, 灰色
 防护等级: IP65(配合)



T1430100000-000	H10B-AD-BO	H10B HOUSING, BULKHEAD MOUNTED, 4 EAR, PLASTIC PROTECTION COVER, POWDER COATED, GREY H10B下壳, 开孔安装, 4耳, 带塑料保护盖, 灰色粉末喷涂
PART NUMBER 料号	PART DESCRIPTION 描述	

THIS DRAWING IS A CONTROLLED DOCUMENT.		DWN 05JUN2015 David Wang	STE TE Connectivity	
DIMENSIONS: mm		CHK 05JUN2015 Chris Wang		
TOLERANCES UNLESS OTHERWISE SPECIFIED:		APVD 05JUN2015 Xiang Xu	PRODUCT SPEC 108-137013	SIZE A2
0 PLC ± 1 PLC ± 2 PLC ± 3 PLC ± 4 PLC ± ANGLES ±		APPLICATION SPEC 114-137013	WEIGHT -	CAGE CODE A200779
MATERIAL -		FINISH -	Customer Drawing	DRAWING NO G-T1430100000000
			RESTRICTED TO -	SCALE 1:1 SHEET 1 OF 1 REV B