

THIS DRAWING IS UNPUBLISHED.

RELEASED FOR PUBLICATION

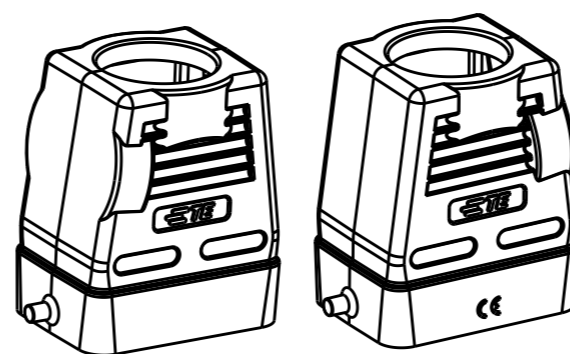
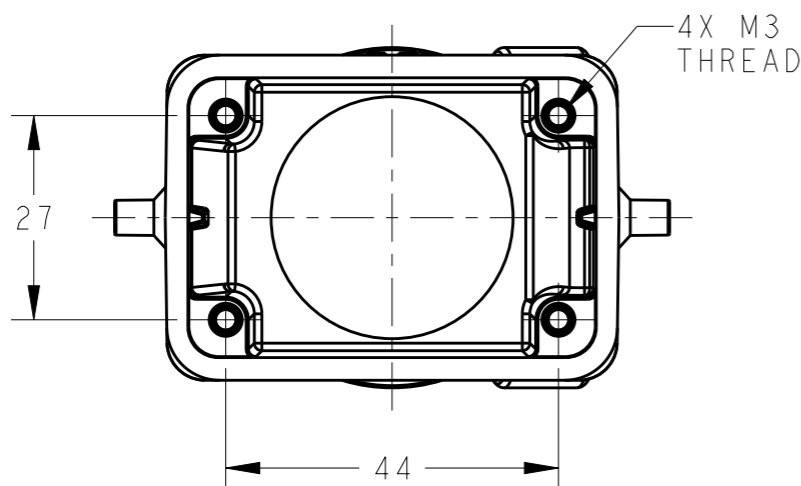
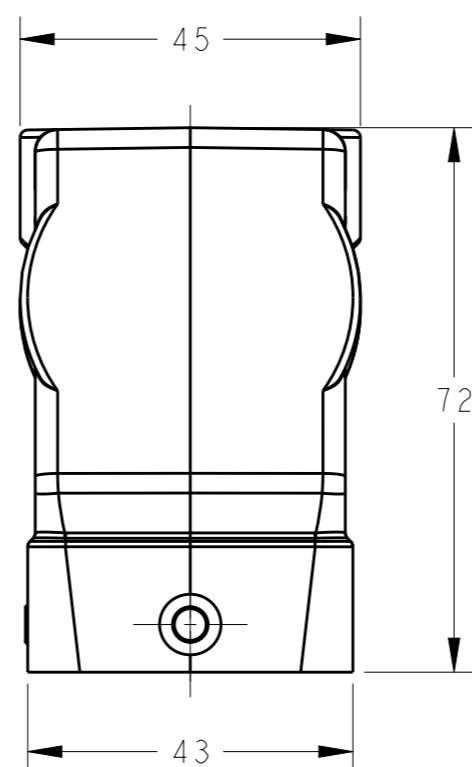
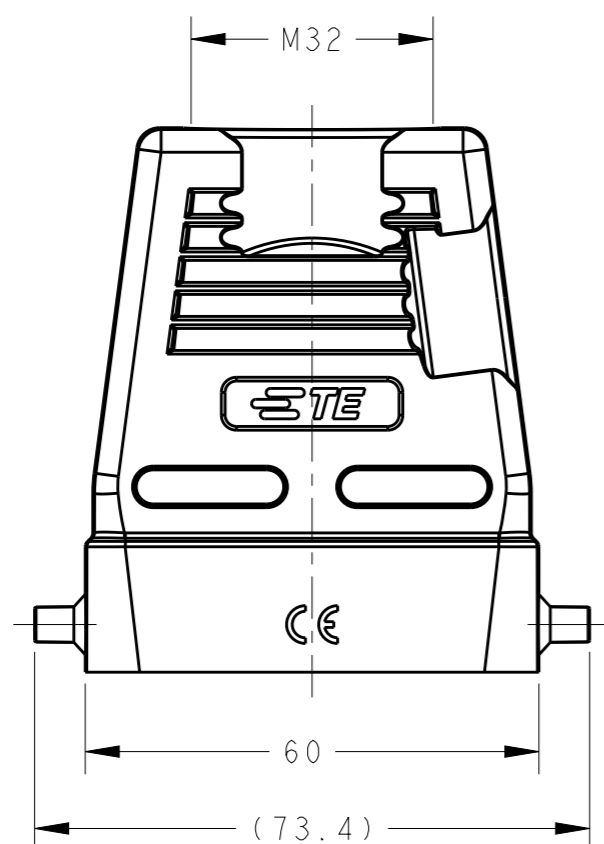
20

© COPYRIGHT 20 BY -

ALL RIGHTS RESERVED.

REVISIONS

P	LTR	DESCRIPTION	DATE	DWN	APVD
	A	INITIAL	10JUN2015	DW	CW
	A1	ECR-15-012067	10AUG2015	DW	CW
	B	ECR-20-007968	06JUN2020	WQR	CW



SCALE 1:2

NOTES:


- 1. TECHNICAL CHARACTERISTICS:
HOOD MATERIAL: DIE CAST ALUMINIUM ALLOY
SURFACE: POWDER COATED, INSIDE AND OUTSIDE
GREY COATING
DEGREE OF PROTECTION: IP65 (MATED)

注释:

- 1. 技术参数:
上壳材料: 铝合金
表面处理: 粉末涂层, 里外喷漆, 灰色
防护等级: IP65(配合)

T1340066132-000	H6B-TGH-M32	H6B HOOD, TOP ENTRY M32, 2 EAR, HIGH CONSTRUCTION, POWDER COATED INSIDE AND OUTSIDE, GREY H6B上壳, 顶出M32, 2耳, 高结构, 灰色粉末里外喷漆
-----------------	-------------	--

PART NUMBER 成品料号 ASSEMBLY PART DESCRIPTION 成品描述

THIS DRAWING IS A CONTROLLED DOCUMENT.		DWN 05JUN2015 David Wang	 TE Connectivity NAME H6B-TGH-M32 INSIDE AND OUTSIDE COATING			
DIMENSIONS: mm		CHK 05JUN2015 Chris Wang				
TOLERANCES UNLESS OTHERWISE SPECIFIED:		APVD 05JUN2015 Xiang Xu				
0 PLC ±- 1 PLC ±- 2 PLC ±- 3 PLC ±- 4 PLC ±- ANGLES ±-		PRODUCT SPEC 108-137013				
MATERIAL	FINISH	APPLICATION SPEC 114-137013	SIZE	CAGE CODE	DRAWING NO	RESTRICTED TO
-	-	WEIGHT	A3	00779	©-T1340066132000	-
Customer Drawing			SCALE 1:1	SHEET 1 OF 1	REV B	