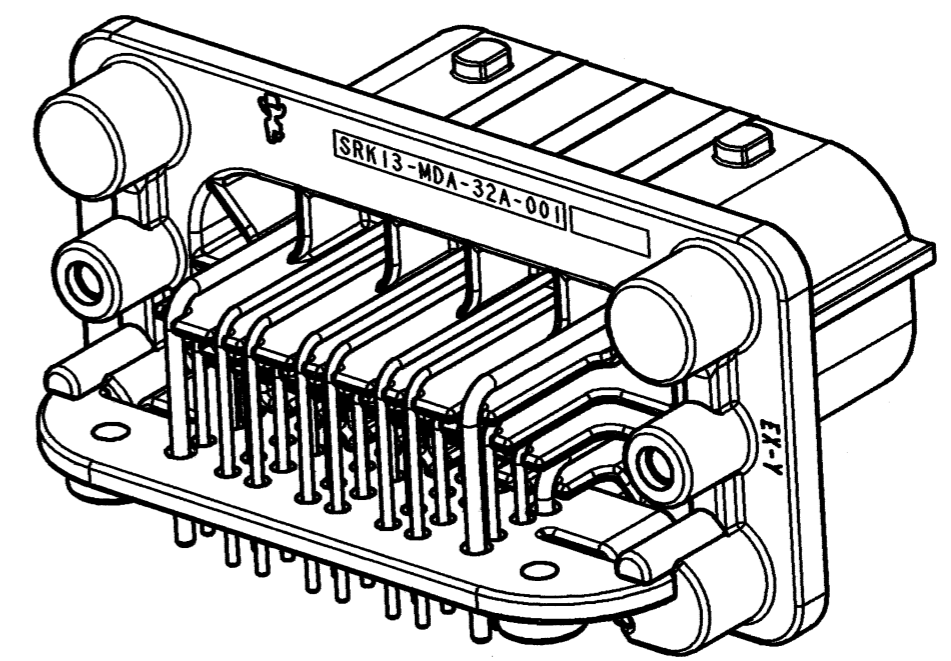
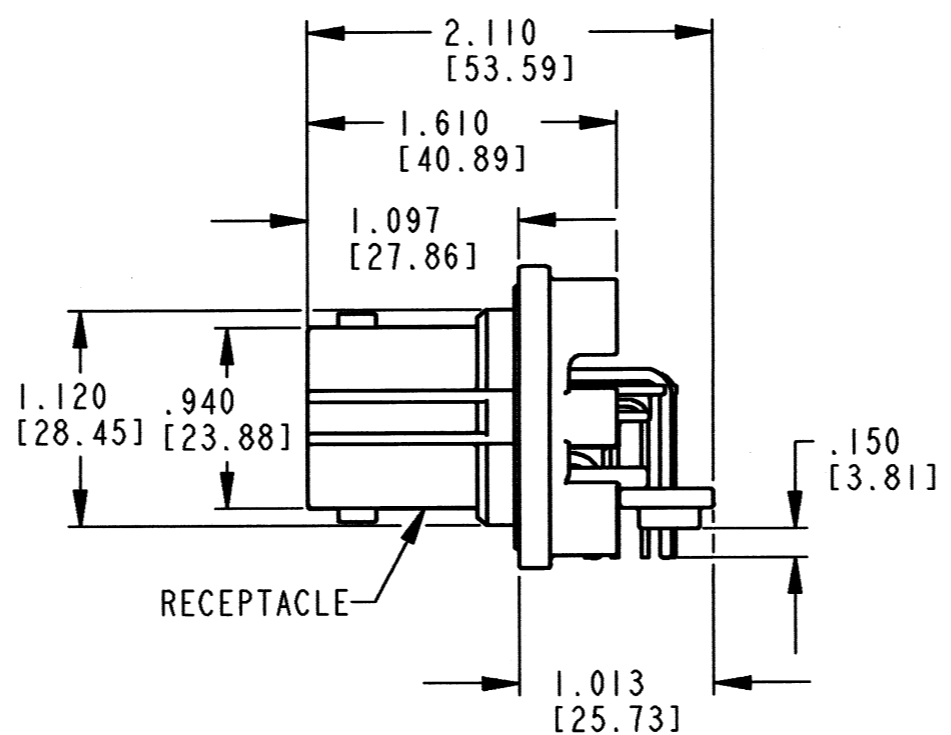
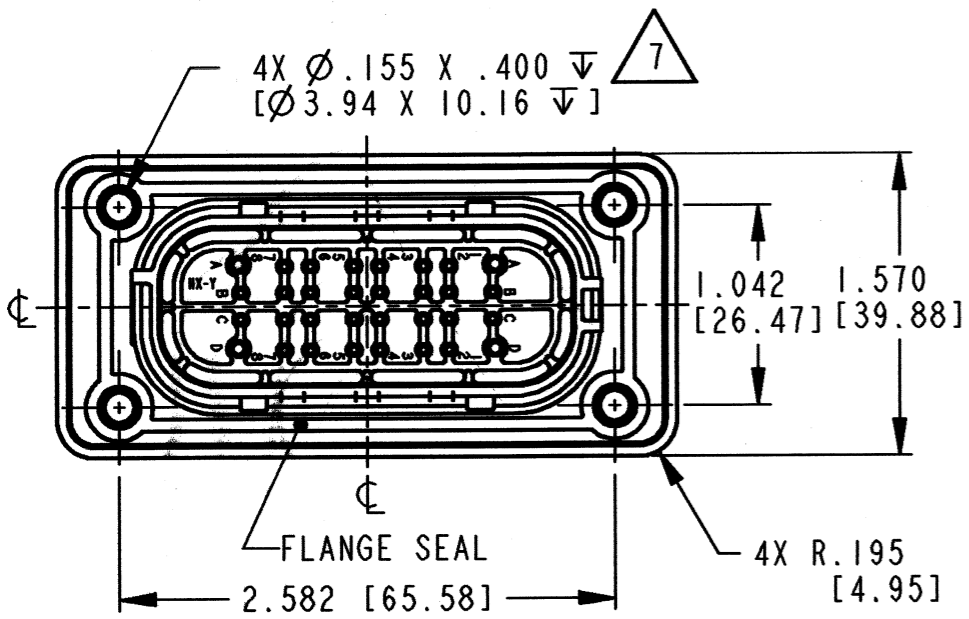
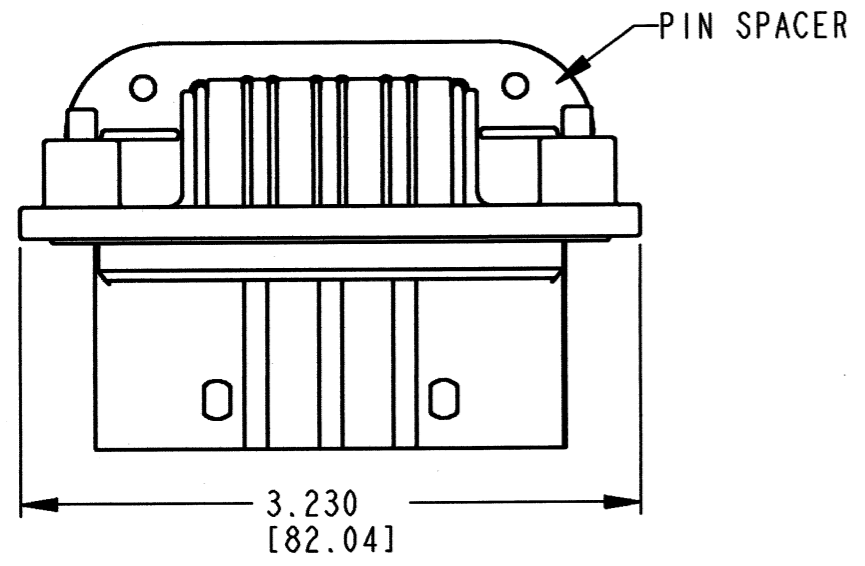


REV
NC SRK13-MD*-32A-001

| REVISIONS | | | |
|-----------|-----------------------------|--------|------------|
| SYM | DESCRIPTION | DATE | APPROVED |
| NC | NEW RELEASE PER E.O. P20484 | 6-7-10 | <i>RDR</i> |
| | | | |
| | | | |



3D VIEW

△6 "A" KEY POSITION SHOWN FOR REFERENCE. SEE SHEETS 3, 4 & 5 FOR OTHER KEY ARRANGEMENTS.

- 5. THIS RECEPTACLE MATES WITH SRK06-MD*-32A-0** PLUG (*=A THRU J KEYS; **=ALL MODIFICATIONS).
- 4. CONTACT PLATING - MATING & PCB SIDE: TIN.
- 3. MATERIAL - PLASTIC (HOUSING:BLACK); SEALS: RUBBER.
- 2. DIMENSION TOLERANCE:±.025 [.64]; PANEL CUTOUT:±.010 [.25].
- 1. DIMENSIONS ARE IN INCHES [mm].


NOTES: UNLESS OTHERWISE SPECIFIED

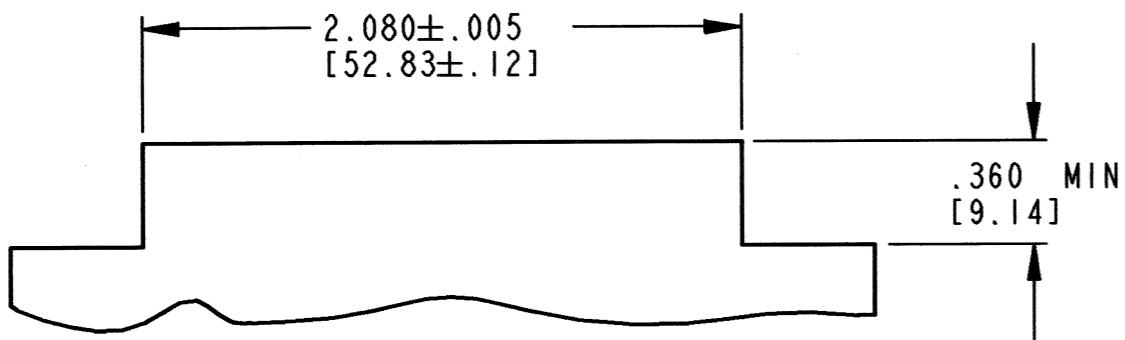
- △9 SURFACE FINISH: 32 RMS OR BETTER; .005 [.12]. RECOMMENDED PANEL THICKNESS: .125 [3.18].
- △8 RECOMMENDED MOUNTING SCREWS: CAMCAR PT THREAD FORMING FASTENER #K40. TORQUE: 10-20 IN-LB [1.13-2.26 N-M]
- △7 RECOMMENDED MOUNTING SCREWS: CAMCAR PT THREAD FORMING FASTENER #K50. TORQUE: 10-20 IN-LB [1.13-2.26 N-M].

| SIGNATURE & DATE | |
|------------------|-----------------------------|
| DR | J. APOSTOL 01 APR 2010 |
| CHK | <i>Paula Carnal</i> 5/10/10 |
| PE | <i>Paula Carnal</i> 5/10/10 |
| APPD | <i>D. Meyer</i> 5/31/10 |
| SCALE | NONE WT |

90° PCB RECEPTACLE
32 PIN
SRK SERIES

ENVELOPE

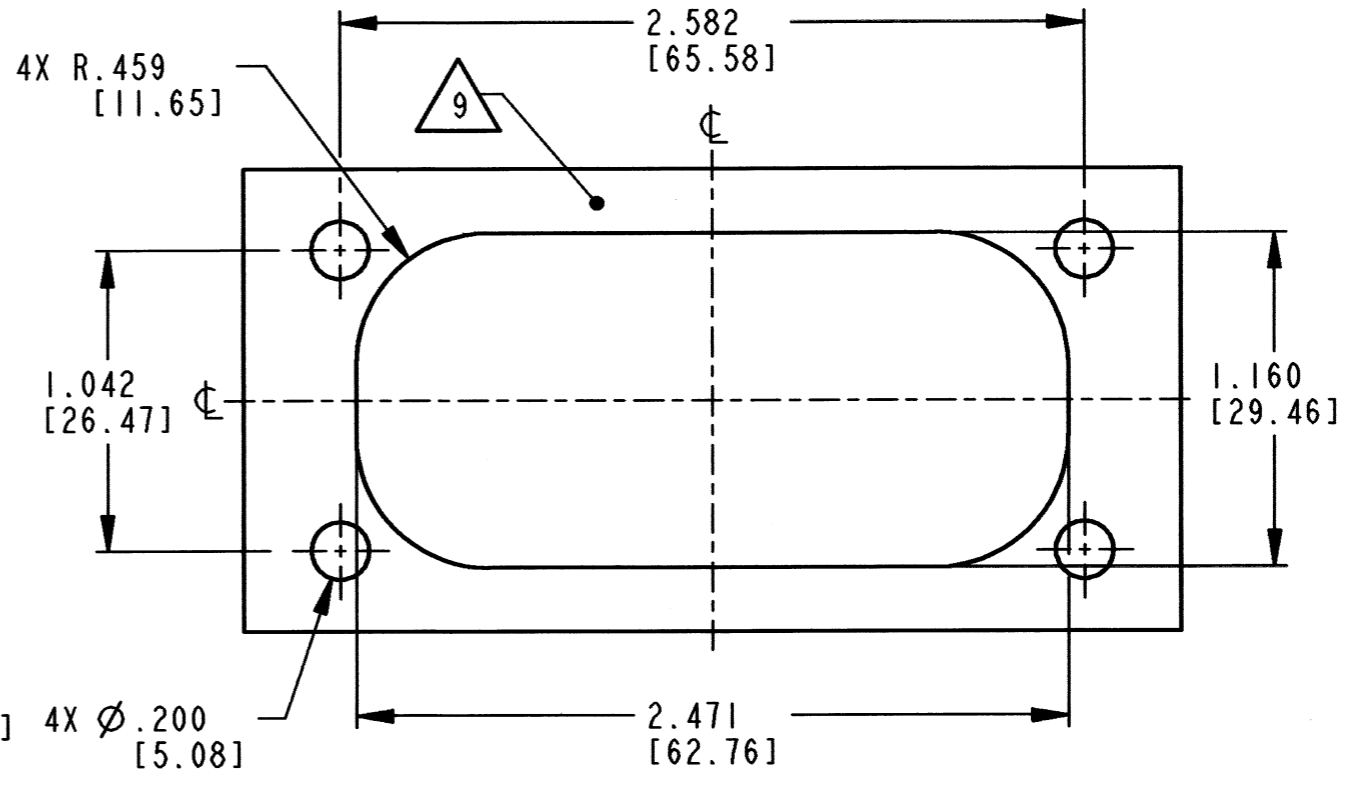
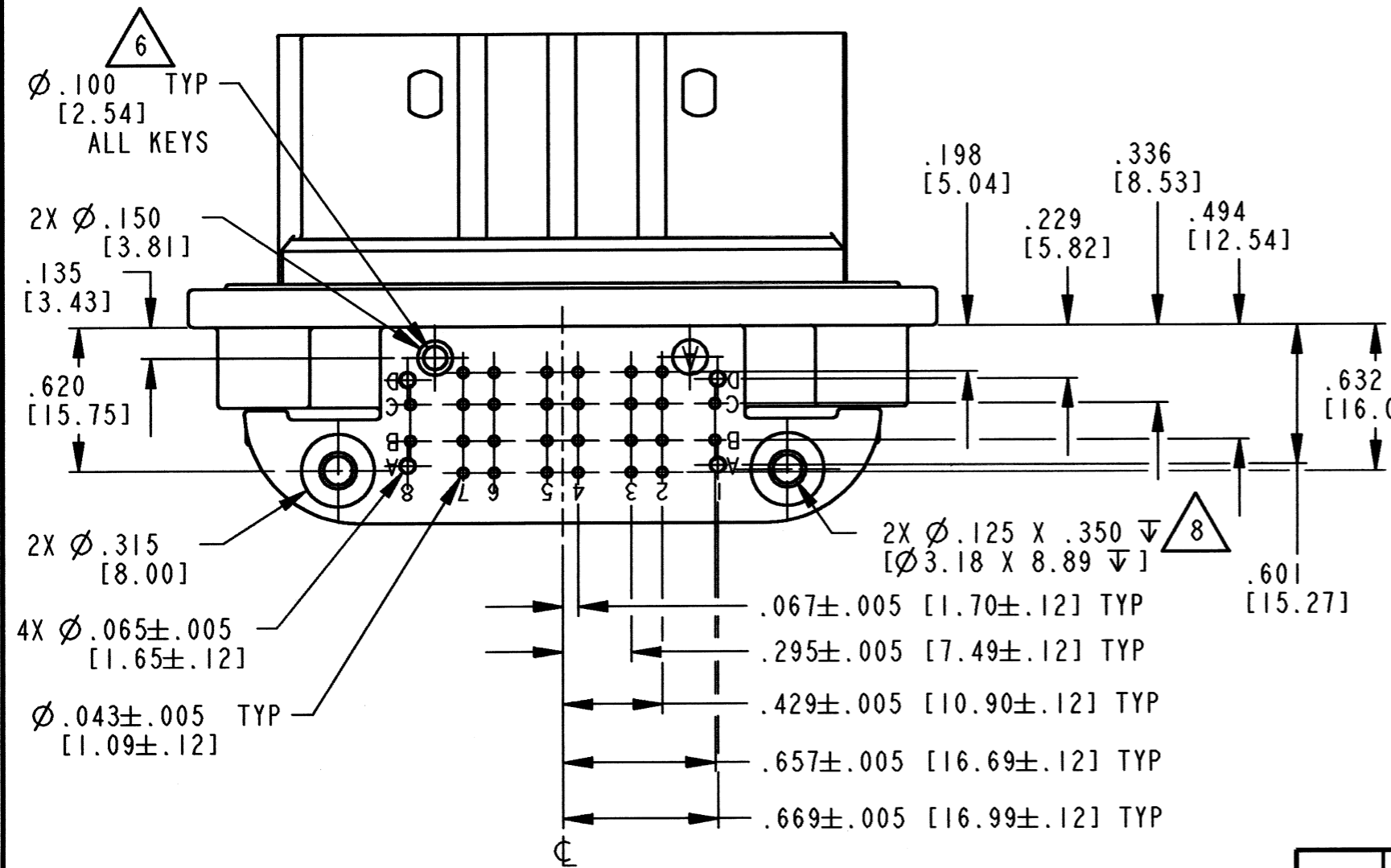
| | |
|--|-------------------------|
| EP 194 | MATL. CODE |
|  3850 INDUSTRIAL AVE. HEMET, CA 92545 | |
| B SRK13-MD*-32A-001 | |
| DWG SIZE | CODE 11139 SHEET 1 OF 5 |



PC BOARD

REV NC **SRK13-MD*-32A-001**

| REVISIONS | | | |
|-----------|-------------|--------|------------|
| SYM | DESCRIPTION | DATE | APPROVED |
| NC | SEE SHEET 1 | 6-7-10 | <i>RDP</i> |
| | | | |
| | | | |



PANEL CUTOUT

NOTES:

| SIGNATURE & DATE | |
|------------------|-------------------------------|
| DR | <i>J. APOSTOL 01 APR 2010</i> |
| CHK | <i>Kate Carnoh 5/10/10</i> |
| PE | <i>Kate Carnoh 5/10/10</i> |
| APPD | <i>J. Meyers 5/31/10</i> |
| SCALE | NONE |

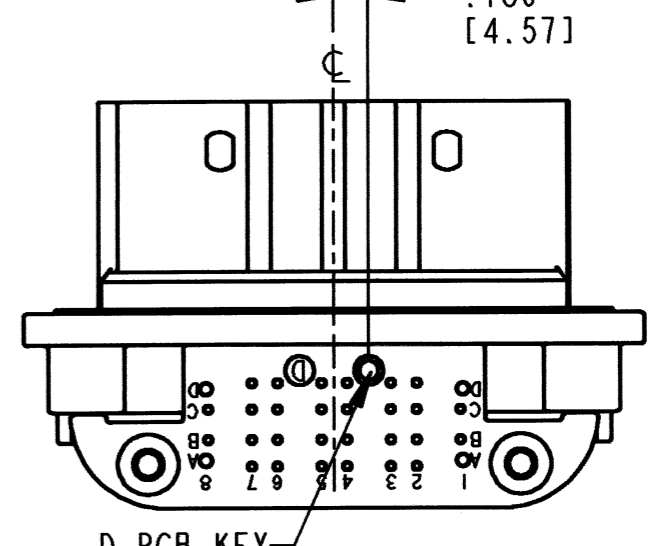
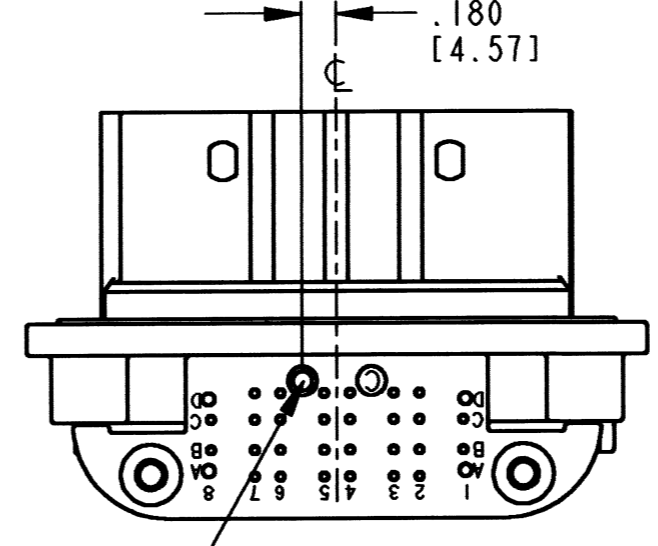
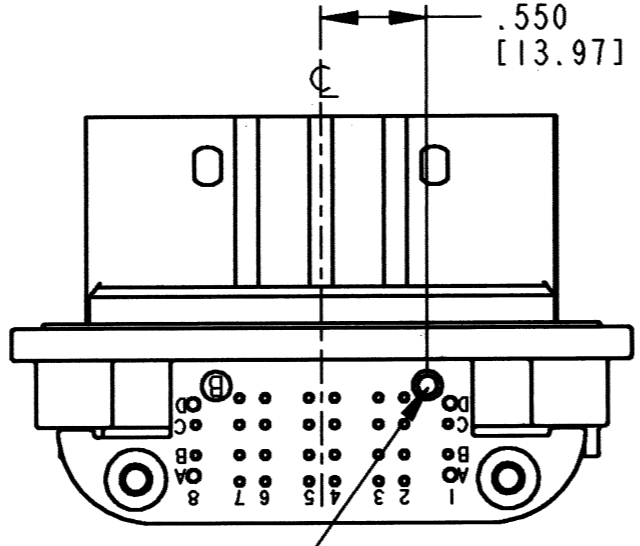
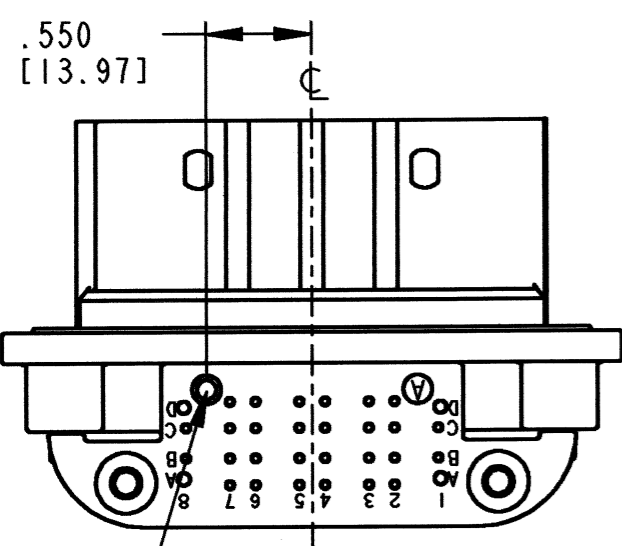
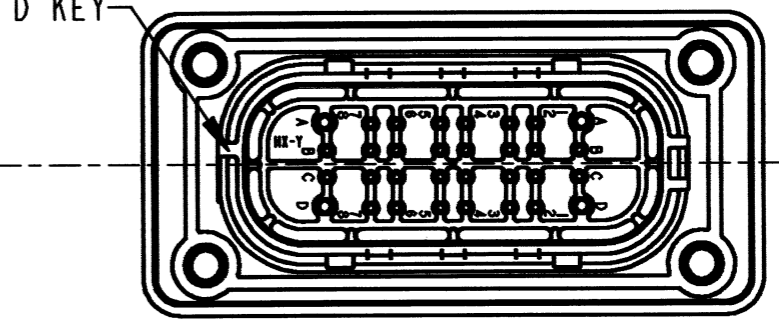
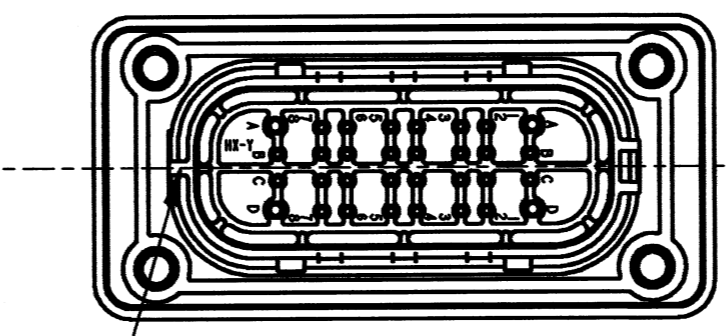
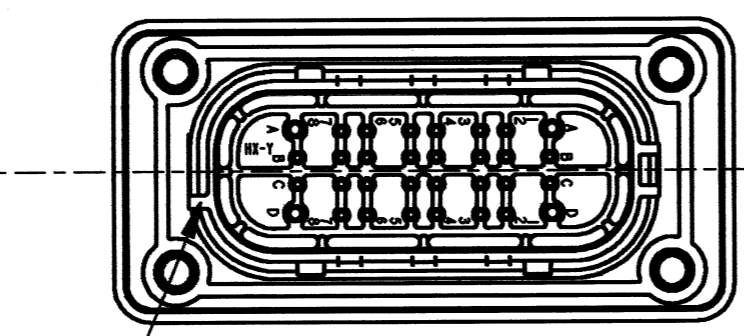
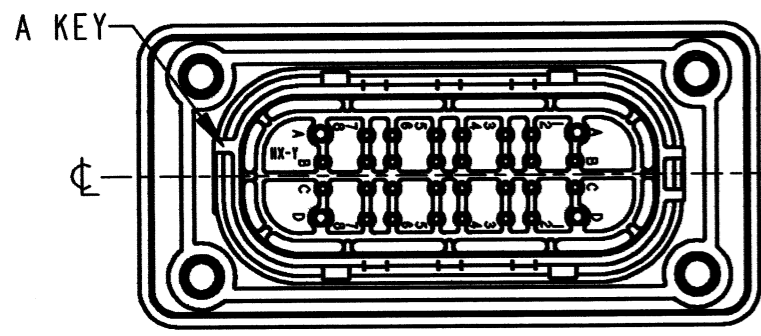
90° PCB RECEPTACLE
32 PIN
SRK SERIES

ENVELOPE

| | |
|---|--------------------------|
| EP 194 | NATL. CODE |
| 3850 INDUSTRIAL AVE. HEMET, CA 92545 | |
| B | SRK13-MD*-32A-001 |
| DWG SIZE | CODE 11139 SHEET 2 OF 5 |

REV
NC SRK13-MD*-32A-001

| REVISIONS | | | |
|-----------|-------------|--------|----------|
| SYM | DESCRIPTION | DATE | APPROVED |
| NC | SEE SHEET 1 | 6-7-10 | RDR |
| | | | |
| | | | |



KEY ARRANGEMENT -A-
SRK13-MDA-32A-001

KEY ARRANGEMENT -B-
SRK13-MDB-32A-001

KEY ARRANGEMENT -C-
SRK13-MDC-32A-001

KEY ARRANGEMENT -D-
SRK13-MDD-32A-001

NOTES:

| SIGNATURE & DATE | |
|------------------|---------------------------|
| DR | J. APOSTOL 01 APR 2010 |
| CHK | <i>Paula Lamm</i> 5/10/10 |
| PE | <i>Paula Lamm</i> 5/10/10 |
| APPD | <i>D. Meyer</i> 5/31/10 |
| SCALE | NONE WT |

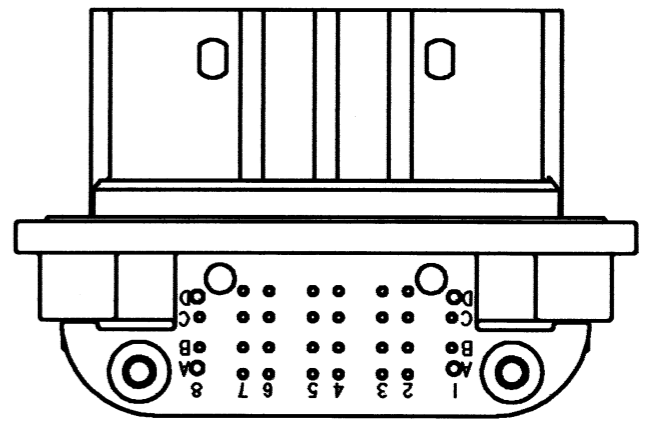
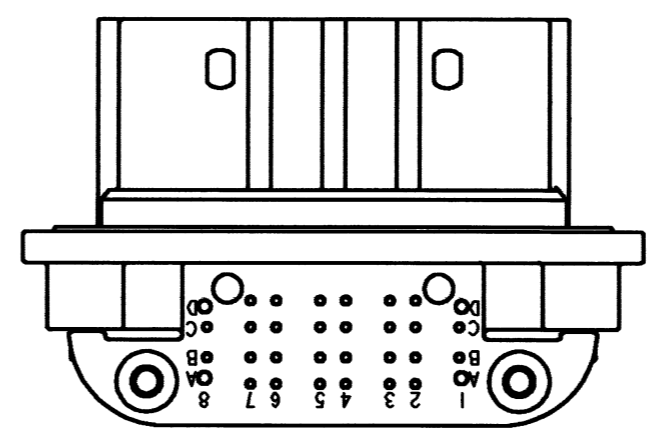
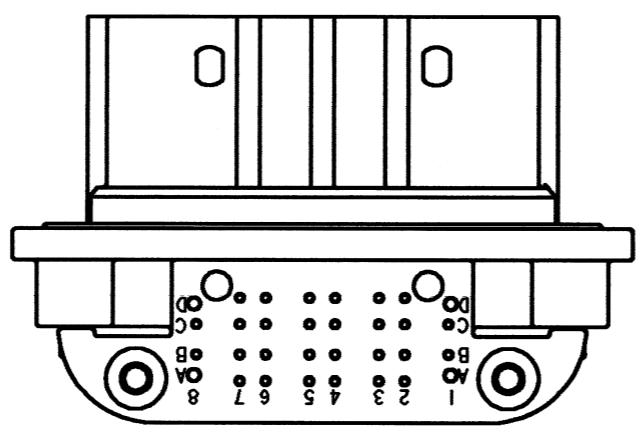
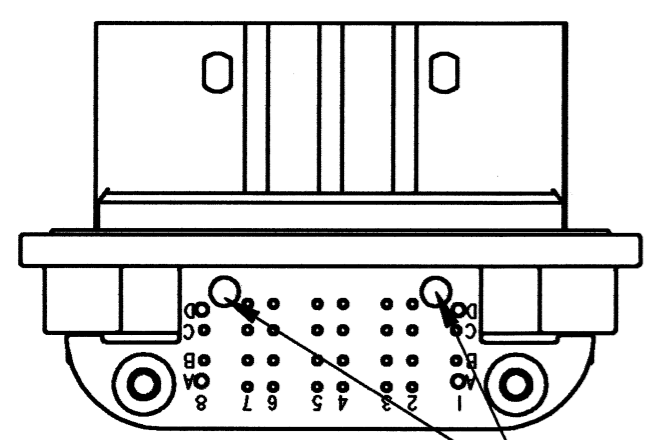
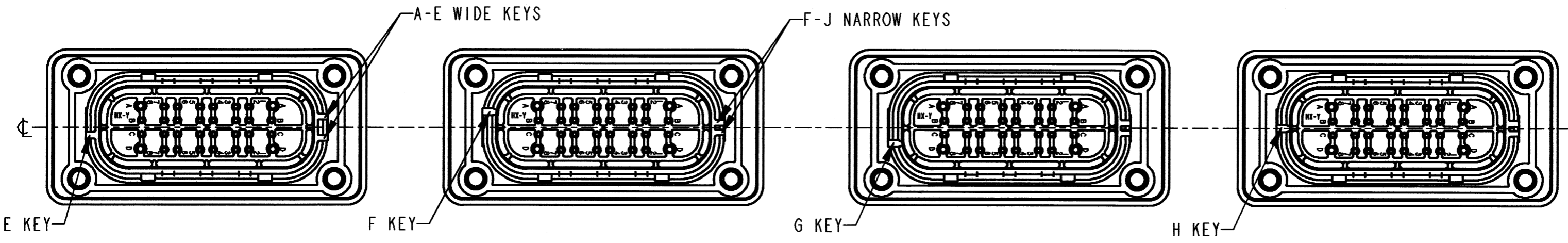
90° PCB RECEPTACLE
32 PIN
SRK SERIES

ENVELOPE

| | |
|---|-------------------------|
| EP 194 | MATL. CODE |
| 3850 INDUSTRIAL AVE. HEMET, CA 92545 | |
| B SRK13-MD*-32A-001 | |
| DWG SIZE | CODE 11139 SHEET 3 OF 5 |

REV
NC
SRK13-MD*-32A-001

| REVISIONS | | | |
|-----------|-------------|--------|----------|
| SYM | DESCRIPTION | DATE | APPROVED |
| NC | SEE SHEET 1 | 6-7-10 | RDR |
| | | | |
| | | | |
| | | | |



NO PCB KEYING
E-J KEYS

**KEY ARRANGEMENT -E-
SRK13-MDE-32A-001**

**KEY ARRANGEMENT -F-
SRK13-MDF-32A-001**

**KEY ARRANGEMENT -G-
SRK13-MDG-32A-001**


**KEY ARRANGEMENT -H-
SRK13-MDH-32A-001**

NOTES:

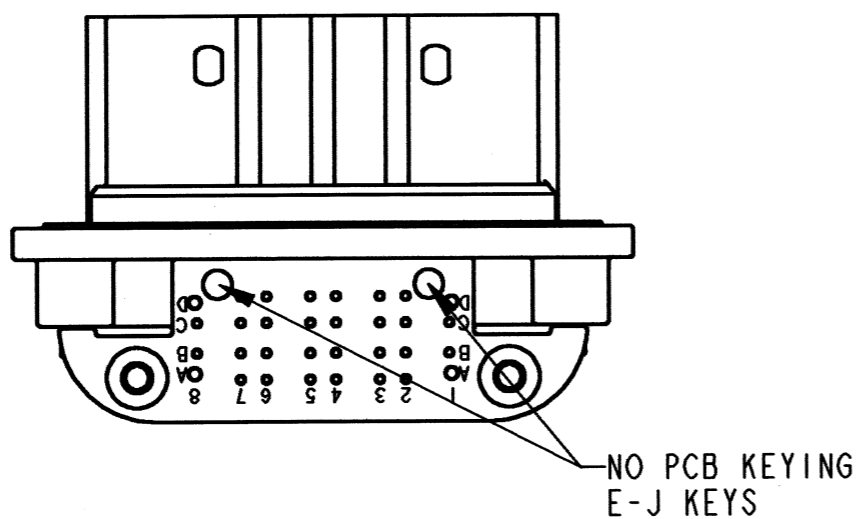
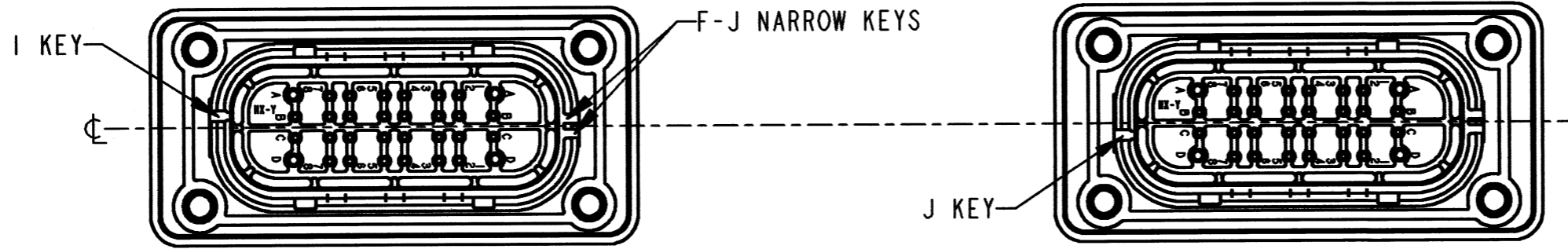
| SIGNATURE & DATE | |
|------------------|------------------------|
| DR | J. APOSTOL 01 APR 2010 |
| CHK | Paul Arnold 5/10/10 |
| PE | Paul Arnold 5/10/10 |
| APPD | DMeyer 5/10/10 |
| SCALE | NONE WT |

90° PCB RECEPTACLE
32 PIN
SRK SERIES

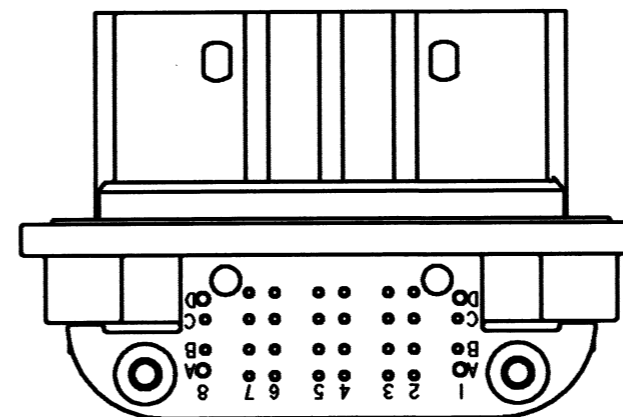
ENVELOPE

| | |
|---|--------------|
| EP 194 | MATL. CODE |
|  3850 INDUSTRIAL AVE. HEMET, CA 92545 | |
| DEUTSCH INDUSTRIAL | |
| B SRK13-MD*-32A-001 | |
| DWG SIZE | SHEET 4 OF 5 |

| | | | | | |
|-----------|-------------------|-----------|-------------|--------|----------|
| REV NC | SRK13-MD*-32A-001 | REVISIONS | | | |
| | | SYM | DESCRIPTION | DATE | APPROVED |
| | | NC | SEE SHEET 1 | 6-7-10 | ADP |
| | | | | | |
| | | | | | |



**KEY ARRANGEMENT -I-
SRK13-MDI-32A-001**



**KEY ARRANGEMENT -J-
SRK13-MDJ-32A-001**

NOTES:

| | | | | |
|------------------|----------------------------|--|---|-------------------------|
| SIGNATURE & DATE | | 90° PCB RECEPTACLE 32 PIN SRK SERIES | EP 194 | MATL. CODE |
| DR | J. APOSTOL 01APR2010 | | 3850 INDUSTRIAL AVE. HEMET, CA 92545 | |
| CHK | <i>Paula Lynch 5/10/10</i> | | DEUTSCH INDUSTRIAL | |
| PE | <i>Paula Lynch 5/10/10</i> | | B SRK13-MD*-32A-001 | |
| APPD | <i>D. Meyers 5/31/10</i> | ENVELOPE | DWG SIZE | CODE 11139 SHEET 5 OF 5 |
| SCALE | NONE WT | | | |