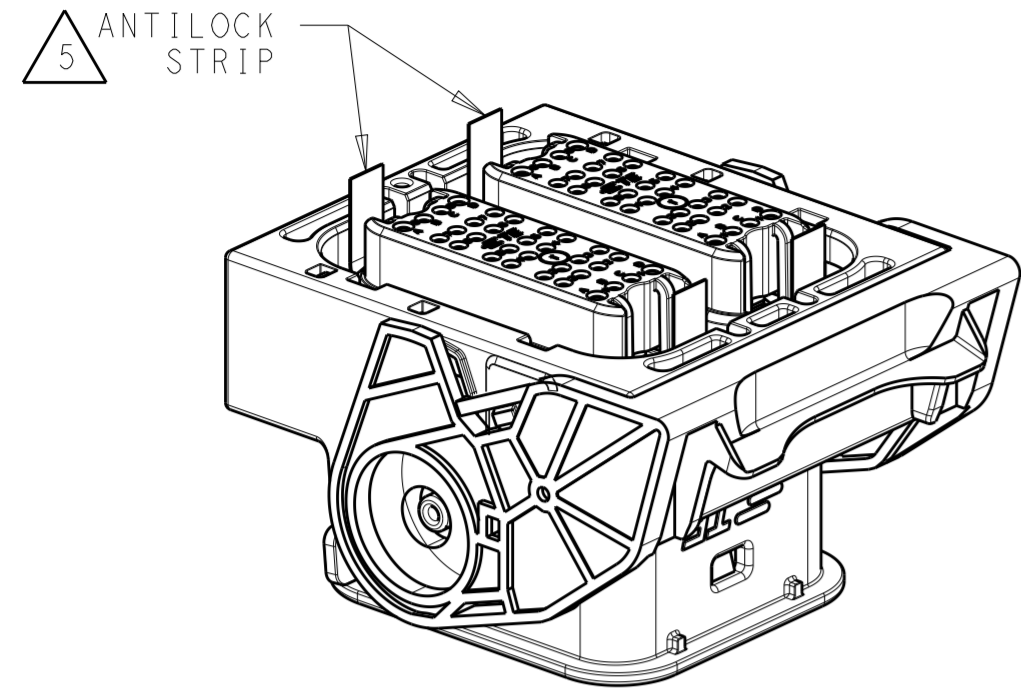
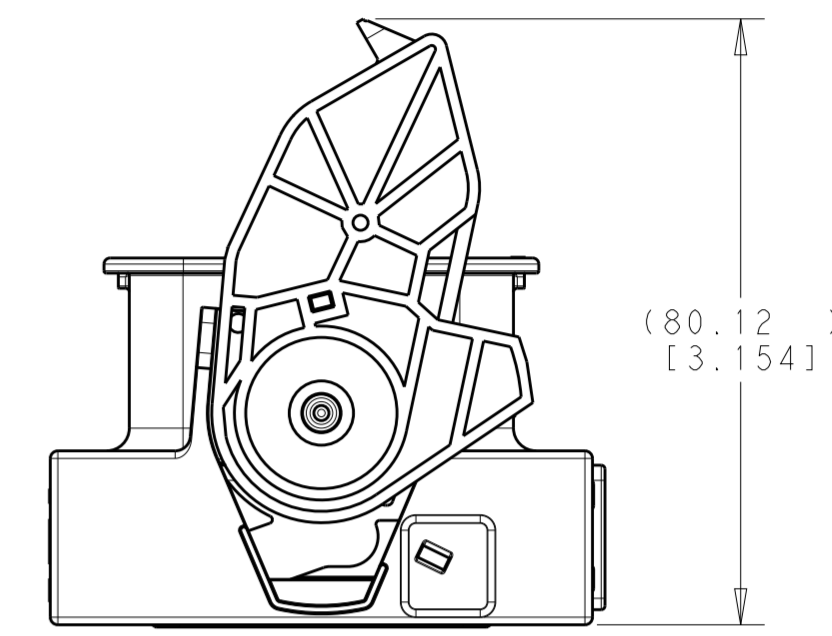
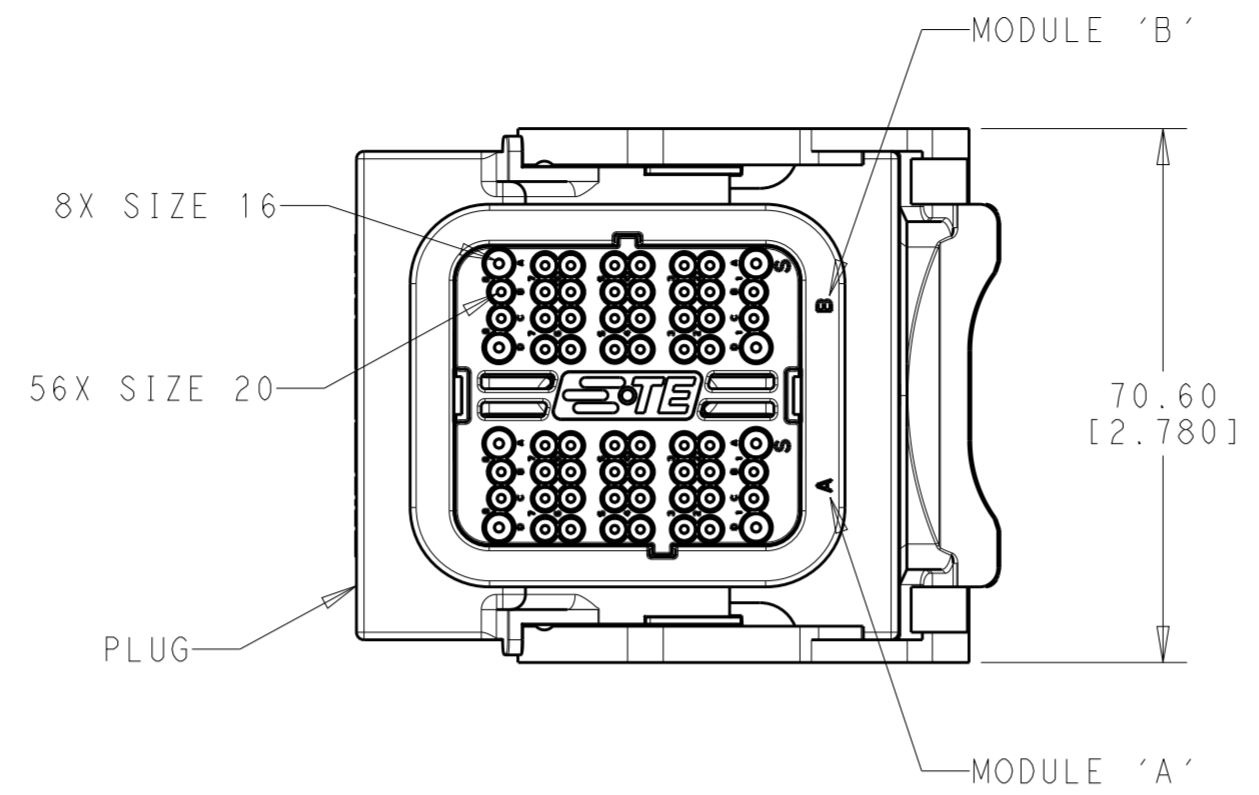


REVISIONS				
P	LTR	DESCRIPTION	DATE	APVD
A		INITIAL RELEASE	28JAN2016	RL DM
A1		REVISED PER ECO-16-007312	12MAY2016	RL DM

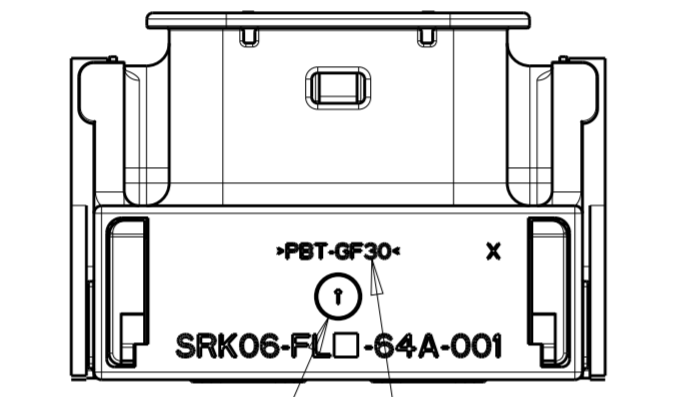


TPA SHOWN IN PRE-MOUNTED POSITION AS RECEIVED

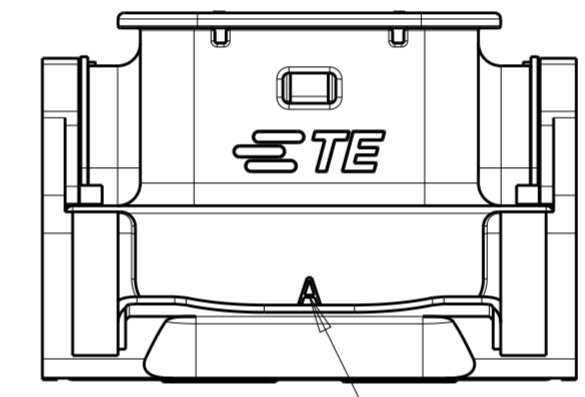
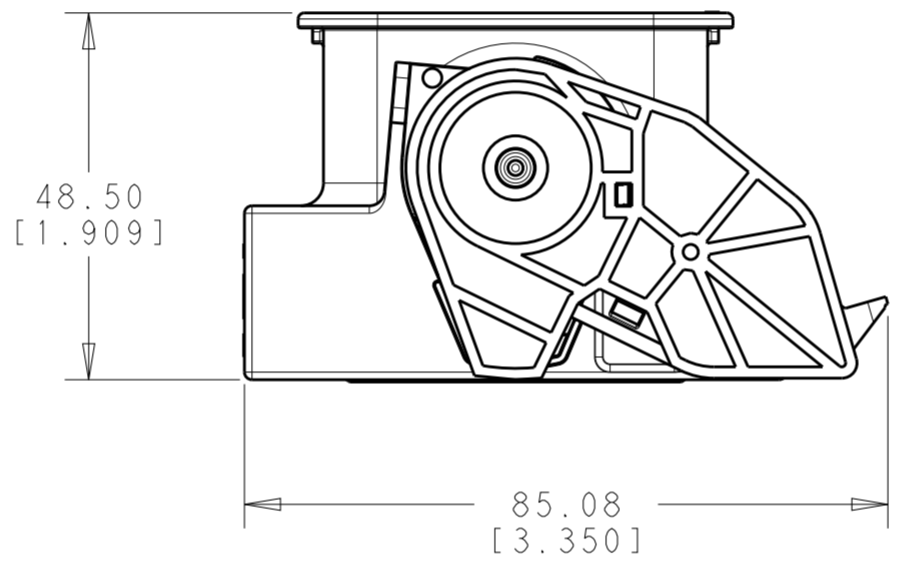
5



LATCH IN OPEN POSITION
 DIMENSION SHOWN FOR REFERENCE



DATE CODE MATERIAL ID



6

KEY ARRANGEMENT ID
 (A THRU J)

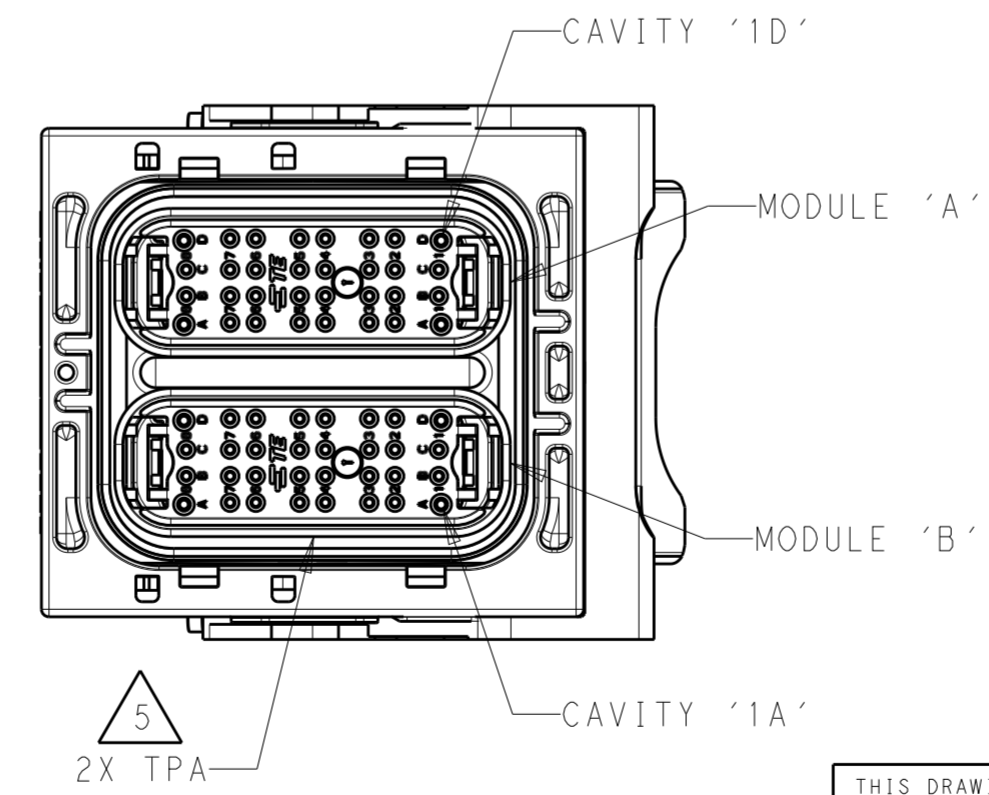
TE INTERNAL PN	DEUTSCH PN
SRK06-FLA-64A-001	SRK06-FLA-64A-001
SRK06-FLB-64A-001	SRK06-FLB-64A-001
SRK06-FLC-64A-001	SRK06-FLC-64A-001
SRK06-FLD-64A-001	SRK06-FLD-64A-001
SRK06-FLE-64A-001	SRK06-FLE-64A-001
SRK06-FLF-64A-001	SRK06-FLF-64A-001
SRK06-FLG-64A-001	SRK06-FLG-64A-001
SRK06-FLH-64A-001	SRK06-FLH-64A-001
SRK06-FLI-64A-001	SRK06-FLI-64A-001
SRK06-FLJ-64A-001	SRK06-FLJ-64A-001

CONTACT SIZE	MIN INSUL OD	MAX INSUL OD	WIRE RANGE REF ONLY
16	1.55 [.061]	3.05 [.120]	2.0-0.5MM ² 14-20 AWG
20	1.55 [.061]	2.41 [.095]	1.0-0.5MM ² 16-20 AWG

- 6 SEE SHEET 2 FOR KEY ARRANGEMENTS.
- 5 TERMINAL POSITION ASSURANCE (TPA) IS SHIPPED INSTALLED IN PRE-MOUNTED POSITION. REMOVE ANTILOCK STRIP PRIOR TO CONTACT INSERTION. USE HOOK STYLE TOOL, SUCH AS DT-RT1, TO REMOVE TPA IF NEEDED.
- 4. BOTH MODULE CONTACT CAVITY IDENTIFICATIONS ARE SAME. CAVITIES 1A,1D,8A,8D ARE SIZE 16. REMAINING CAVITIES ARE SIZE 20.
- 3. THE PLUG MATES WITH SRK02-FLX-64A-001-XXXX RECEPTACLE. (X = A THRU J, XXXX = ALL MODIFICATIONS)
- 2 MATERIAL:
 PLUG, TPA, CAP: PBT GF30 (BLACK)
 LATCH: PBT GF30 (RED)
 CAM: PBT GF30 (YELLOW)
 INTERFACE SEAL: VMO (GREEN)
 GROMMET: VMO (RED-ORANGE)

1 DIMENSIONAL TOLERANCES: ±0.64 [0.025]

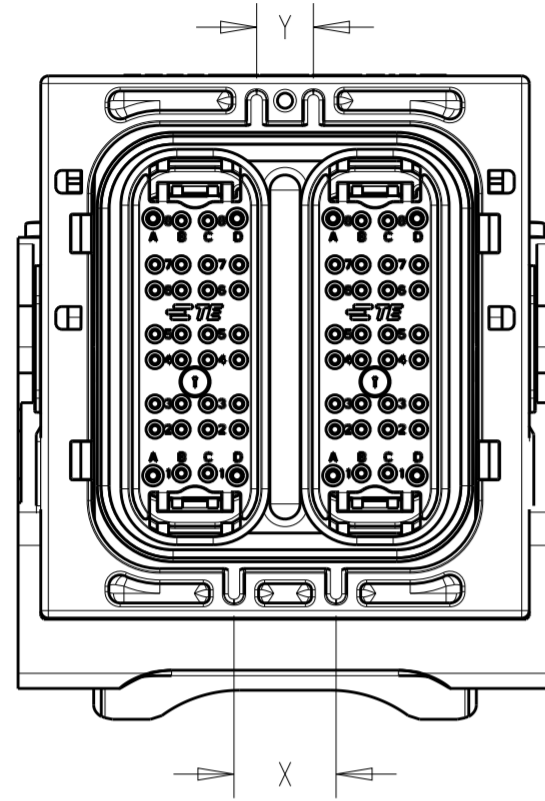
NOTES: UNLESS OTHERWISE SPECIFIED:



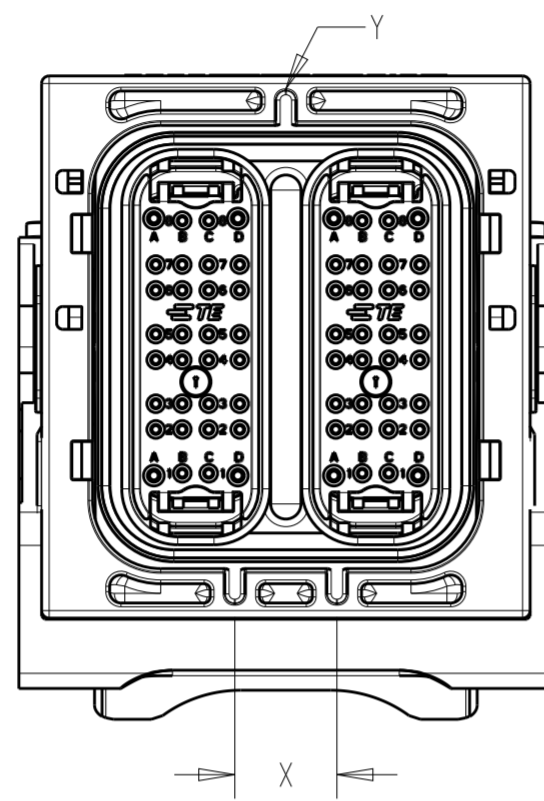
THIS DRAWING IS A CONTROLLED DOCUMENT.		DWN R. LEFFERTS 27 JAN 2016	TE Connectivity	
DIMENSIONS: mm [INCHES]		CHK D. WHITACRE 28 JAN 2016		
TOLERANCES UNLESS OTHERWISE SPECIFIED:		APVD D. MEYER 28 JAN 2016	NAME PLUG 64-PIN (FULL) STRIKE SERIES	
0 PLC ± 1 1 PLC ± 1 2 PLC ± 1 3 PLC ± 1 4 PLC ± 1 ANGLES ± FINISH ±		PRODUCT SPEC	SIZE CAGE CODE DRAWING NO	
MATERIAL		APPLICATION SPEC 0425-015-0000	RESTRICTED TO	
2		WEIGHT 174.5g	G-SRK06-FLX-64A-001	
		CUSTOMER DRAWING	SCALE 1:1	SHEET 1 OF 2 REV A1

REVISIONS					
P	LTR	DESCRIPTION	DATE	DWN	APVD
-		SEE SHEET 1			

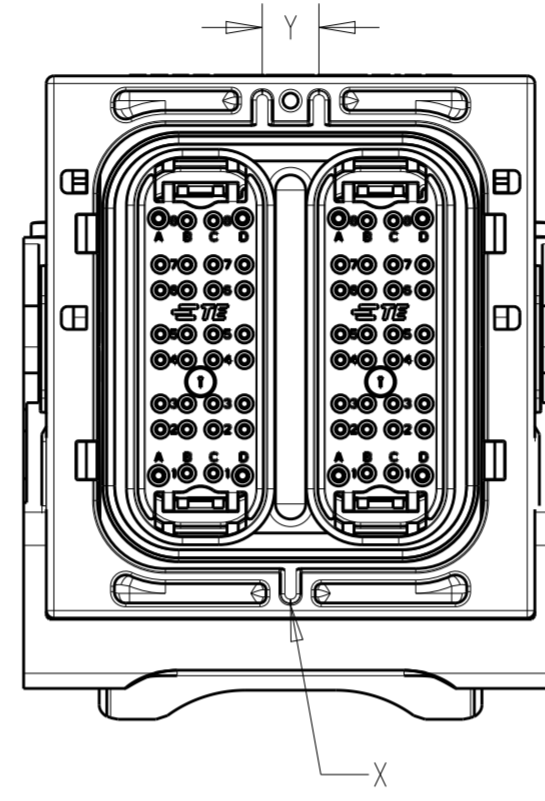
SRK06-FLA-64A-001



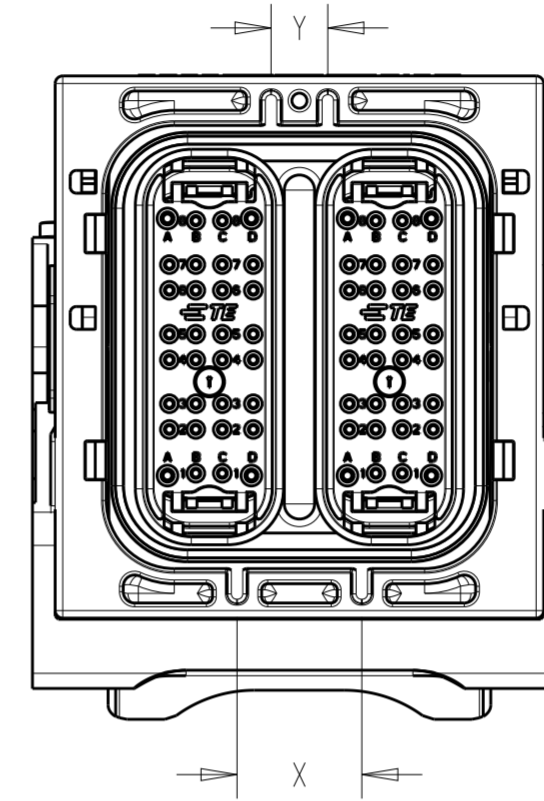
SRK06-FLB-64A-001



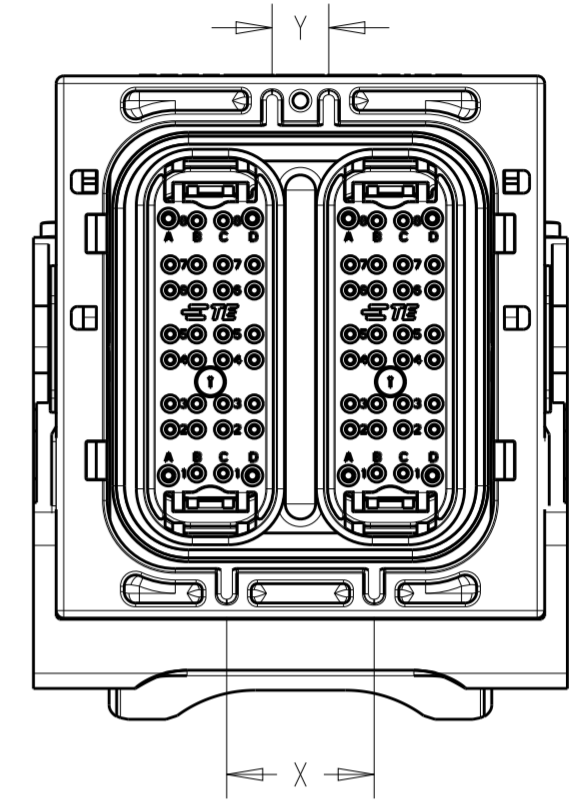
SRK06-FLC-64A-001



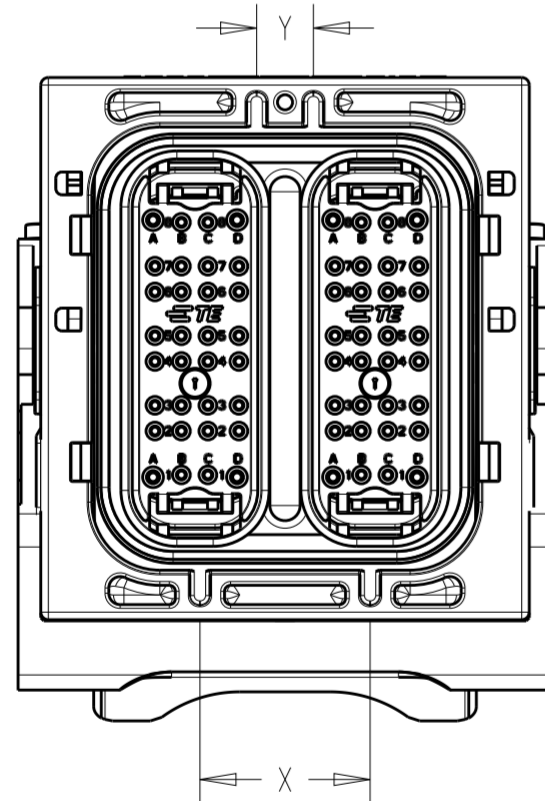
SRK06-FLD-64A-001



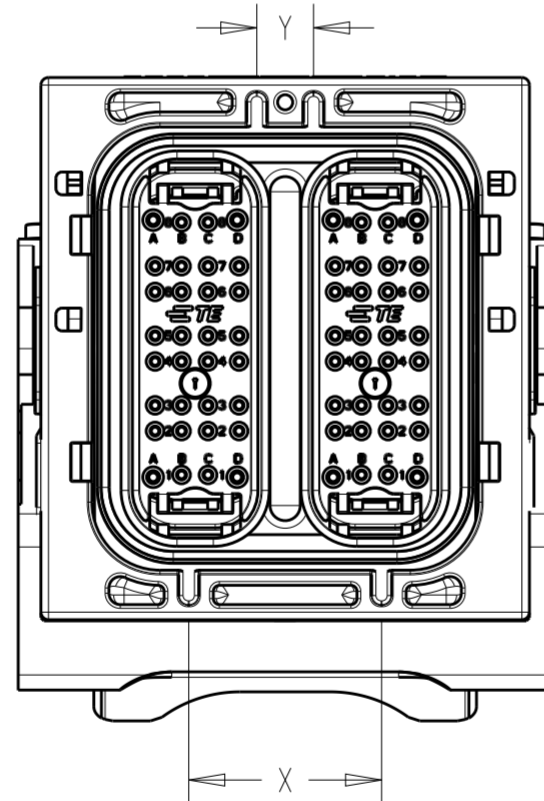
SRK06-FLE-64A-001



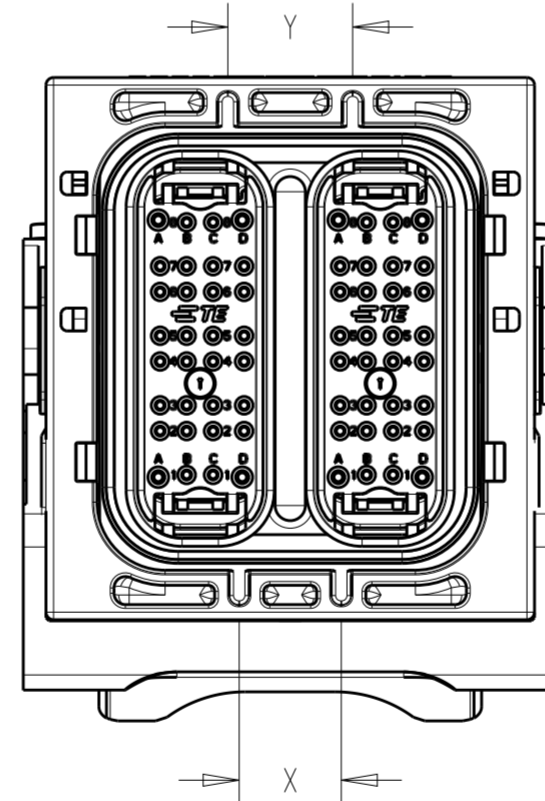
SRK06-FLF-64A-001



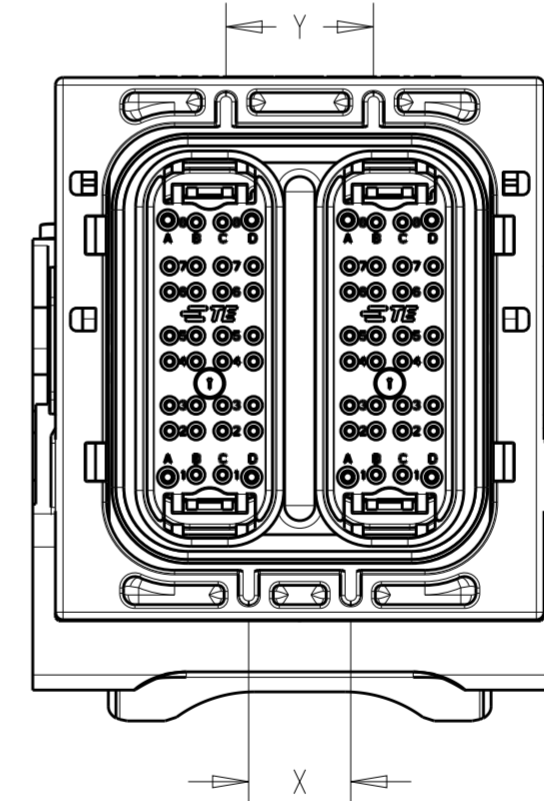
SRK06-FLG-64A-001



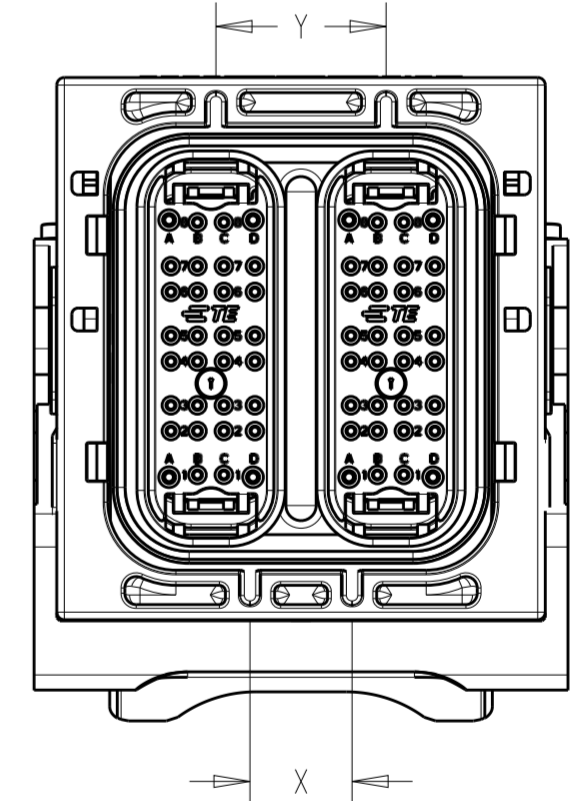
SRK06-FLH-64A-001



SRK06-FLI-64A-001



SRK06-FLJ-64A-001



KEY ARRANGEMENTS:

ARRANGEMENT	X	Y
A	13.50 [.530]	7.50 [.300]
B	13.50 [.530]	0*
C	0*	7.50 [.300]
D	16.50 [.650]	7.50 [.300]
E	19.50 [.770]	7.50 [.300]
F	22.50 [.890]	7.50 [.300]
G	25.50 [1.000]	7.50 [.300]
H	13.50 [.530]	16.50 [.650]
I	13.50 [.530]	19.50 [.770]
J	13.50 [.530]	22.50 [.890]

* A ZERO DIMENSION INDICATES A SINGLE KEY IN THE CENTER

THIS DRAWING IS A CONTROLLED DOCUMENT.		DWN R. LEFFERTS 27 JAN 2016	TE Connectivity
DIMENSIONS: mm [INCHES]		CHK D. WHITACRE 28 JAN 2016	
TOLERANCES UNLESS OTHERWISE SPECIFIED:		APVD D. MEYER 28 JAN 2016	NAME PLUG 64-PIN (FULL) STRIKE SERIES
0 PLC ± Δ 1 PLC ± Δ 2 PLC ± Δ 3 PLC ± Δ 4 PLC ± Δ ANGLES ± Δ FINISH ± Δ		PRODUCT SPEC	SIZE A2
MATERIAL Δ		APPLICATION SPEC 0425-015-0000	CAGE CODE C-SRK06-FLX-64A-001
		WEIGHT 174.5g	DRAWING NO RESTRICTED TO
		CUSTOMER DRAWING	SCALE 1:1 SHEET 2 OF 2 REV A1