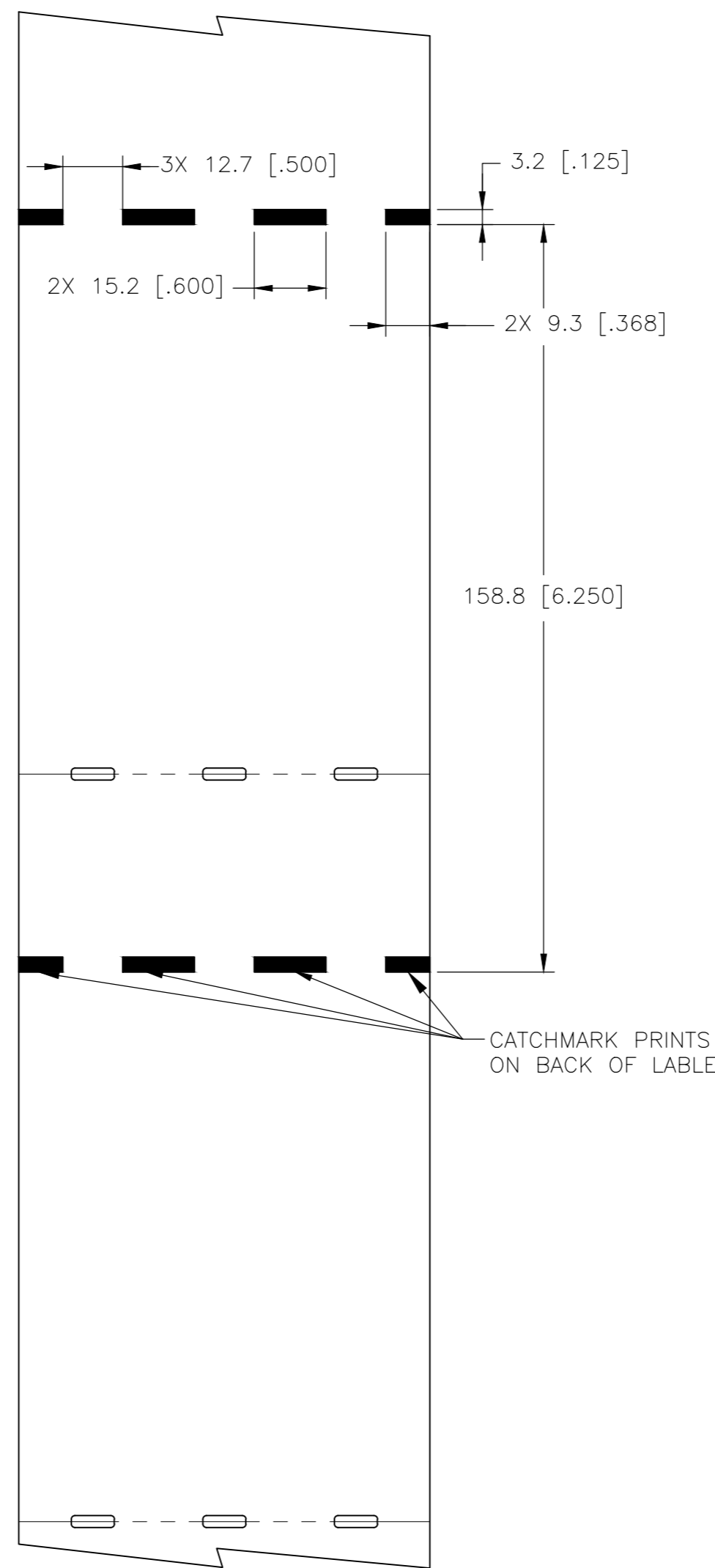
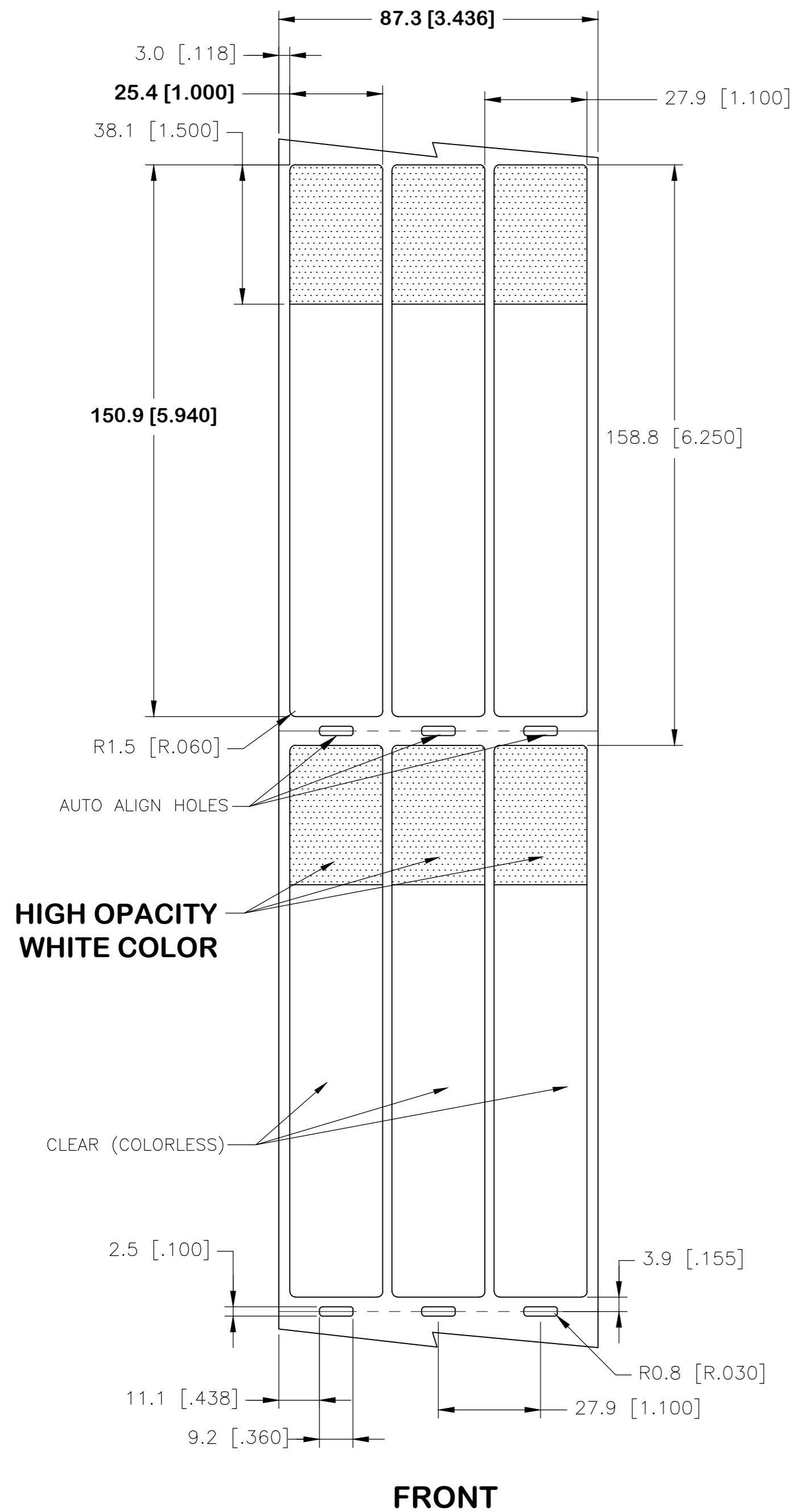
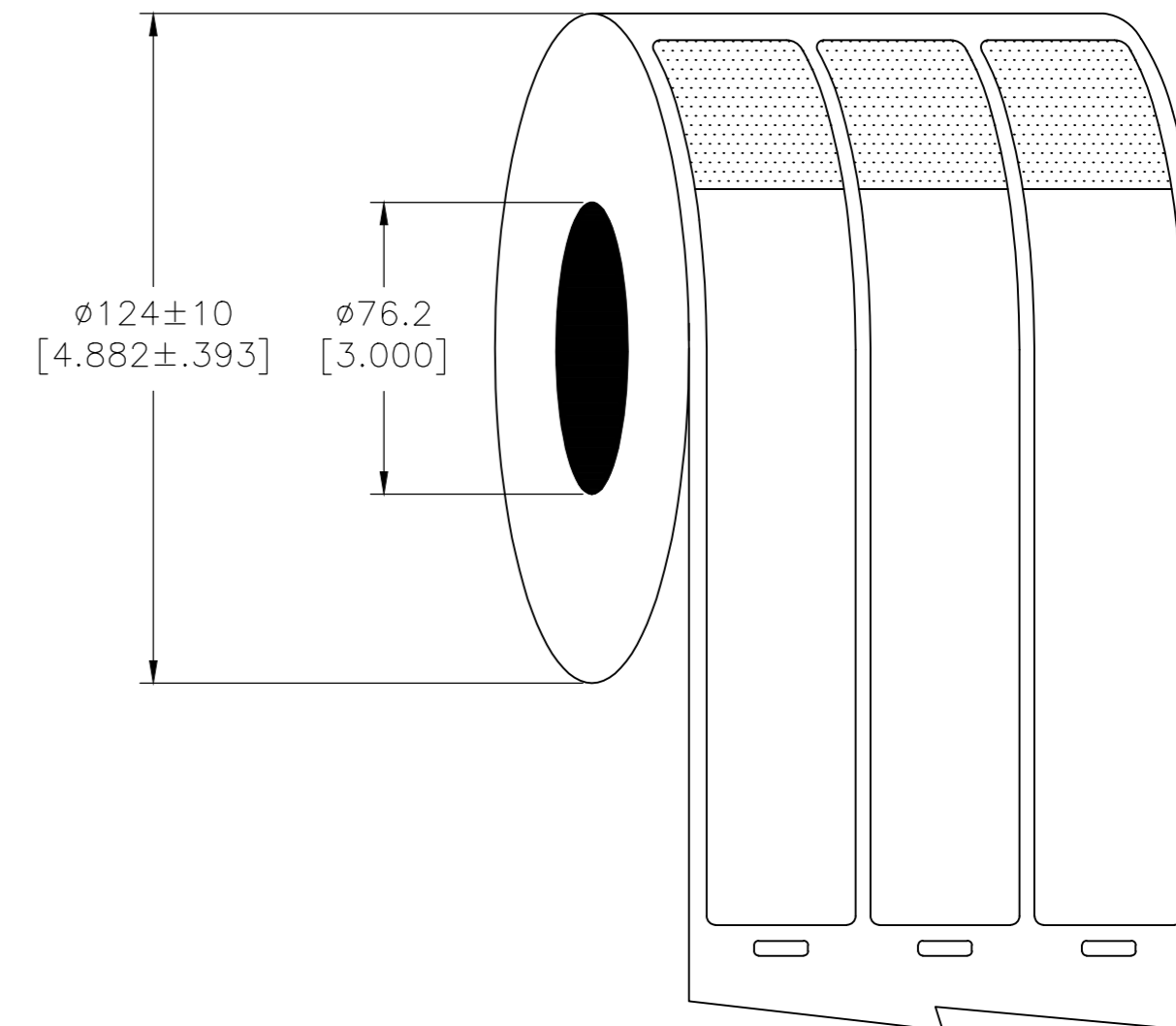


REVISIONS					
P	LTR	DESCRIPTION	DATE	DWN	APVD
A		NEW DRAWING	16MAR2020	GK	DB

LABEL AND LINER DESIGN



PRESENTATION



**OUTSIDE WOUND
LABEL ACROSS: 3
PER ROLL QTY: 1,000**

All dimensions in mm [Inch]

TE PN: D10638-000

BACK

TOLERANCES mm [INCH]	
LABEL HEIGHT:	±0.3 [.012]
LABEL WIDTH:	±0.3 [.012]
WEB WIDTH:	±0.8 [.031]
VERTICAL REPEAT:	±0.8 [.031]*
HORIZONTAL REPEAT:	±0.8 [.031]*
PRINT POSITIONING:	±0.8 [.031]*
LEFT MARGIN:	±0.4 [.016]
QUANTITY:	-0 % +2 % *NON ACCUMULATING

THIS DRAWING IS A CONTROLLED DOCUMENT.	
DIMENSIONS: mm [INCHES]	TOLERANCES UNLESS OTHERWISE SPECIFIED:
	0 PLC ±
	1 PLC ± -
	2 PLC ± -
	3 PLC ± -
	4 PLC ± -
	ANGLES ± -
MATERIAL SEE TABLE	FINISH GLOSSY

MATERIAL	CLEAR POLYESTER
ADHESIVE TYPE	ACRYLIC PERMANENT
LINEAR	BLUE KRAFT
DWN GOPALAKRISHNA HV 12MAR2020	TE Connectivity
CHK D.BURGAT 12MAR2020	
APVD D.BURGAT 12MAR2020	NAME SP LABEL - WHITE 25.4 x 150.9mm [1.00 x 5.94inch]
PRODUCT SPEC TTDS-220	SIZE A2
APPLICATION SPEC	CAGE CODE 00779
WEIGHT 0.226g	DRAWING NO C=SP100594WE1
CUSTOMER DRAWING	RESTRICTED TO -
SCALE NTS	SHEET 1 OF 1
REV A	