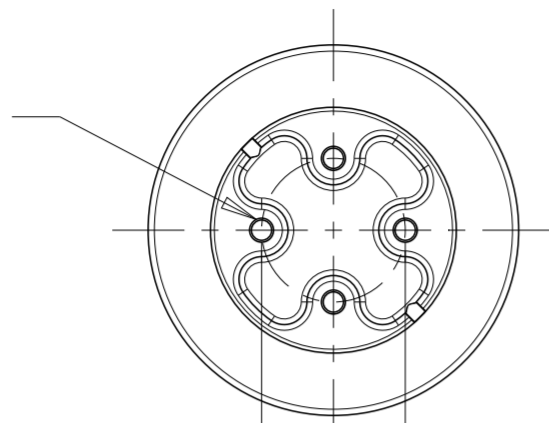


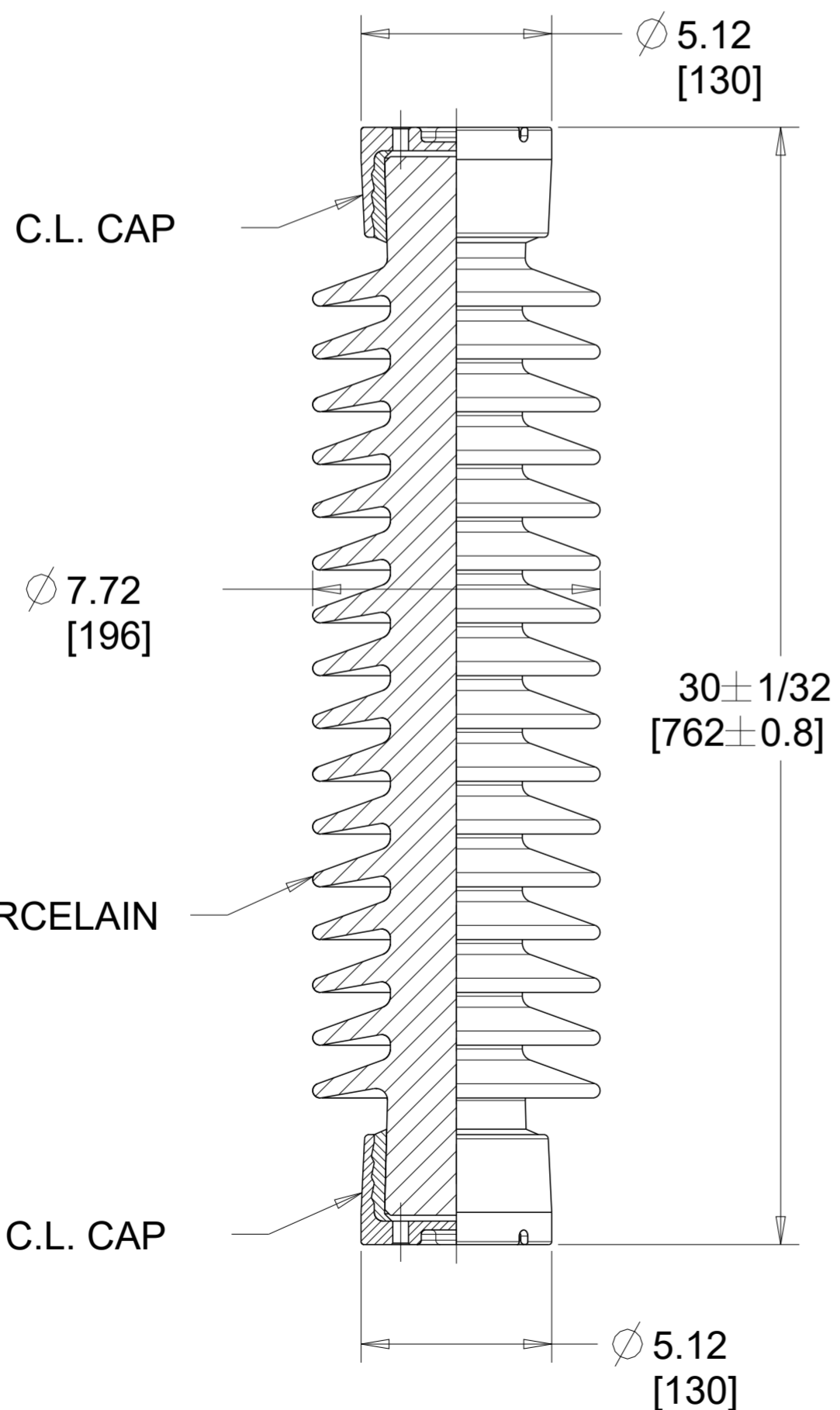
THIS DRAWING IS UNPUBLISHED. RELEASED FOR PUBLICATION
 © COPYRIGHT copyright_date BY - ALL RIGHTS RESERVED.

REVISIONS					
P	LTR	DESCRIPTION	DATE	DWN	APVD
7		UPDATE THE MARKING	-	YQ	GREG
8		UPDATE THE MARKING	-	YQ	GREG
9		CHANGE THE DESCRIPTION	-	YQ	DANELLE
10		REDRAWN IN CREO	12OCT2018	RS	KP

1/2"-13 UNC TAPPED HOLE
 0.015" OVERSIZE
 FULLY THREAD 0.63"(16)
 DEEP EQUI-SPACED, 4PL.



3 PCD
 [76]



Notes:

1. All ferrous parts hot-dip galvanized to ASTM A153
2. Additional mark on porcelain: Batch traceability number
3. Reference standard ANSI C29.9
4. Mark on porcelain:

STE
 TR 216
 Month Year

Mechanical Properties

Units	English	Metric
Tensile Strength	16,000 lb	71.2 kN
Compression Strength	25,000 lb	111.2 kN
Torsional Strength	15,000 in-lb	1695 N-m
Cantilever Strength	1500 lb	6.7 kN

Electrical Properties

Impulse Withstand Voltage	350 kV
Wet p.f. Frequency Withstand	145 kV
Critical Impulse Flashover Voltage, Positive	390 kV
Radio-Influence Voltage	
Test Voltage to Ground	44 kV
Max RIV at 1000kHz	200 μV

Physical Properties

Units	English	Metric
Nominal Creepage Distance	72 in	1829 mm
Approx Weight	74.9 lb	33.7 kg
Colour	Grey	

TE P/N: 415286-000

THIS DRAWING IS A CONTROLLED DOCUMENT.		DWN RAVI.S 12OCT2018	STE TE Connectivity		
DIMENSIONS: inch (mm)		CHK K.PUSTHAY 12OCT2018			
TOLERANCES UNLESS OTHERWISE SPECIFIED:		APVD K.PUSTHAY 12OCT2018	NAME PORCELAIN STATION POST INSULATOR, TR 216		
0 PLC ±		PRODUCT SPEC	SIZE A2		
1 PLC ±		APPLICATION SPEC	CAGE CODE 00779		
2 PLC ±		WEIGHT	DRAWING NO SP-TR216PG		
3 PLC ±		CUSTOMER DRAWING	RESTRICTED TO		
4 PLC ±			SCALE NTS		
ANGLES ±			SHEET 1 OF 1		
FINISH -			REV 10		