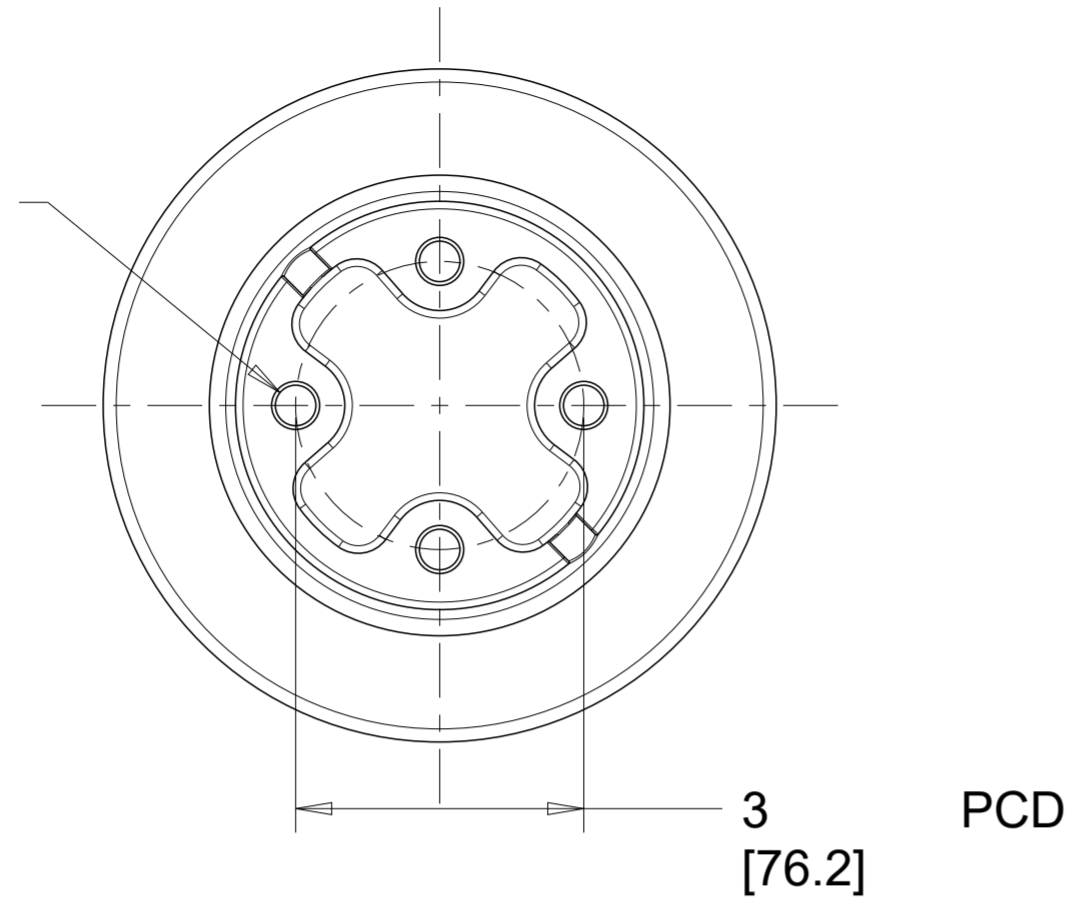


THIS DRAWING IS UNPUBLISHED. RELEASED FOR PUBLICATION
 © COPYRIGHT copyright_date BY - ALL RIGHTS RESERVED.

| REVISIONS | | | | | |
|-----------|-----|-----------------------|-----------|-----|------|
| P | LTR | DESCRIPTION | DATE | DWN | APVD |
| 3 | | CHANGE TO THE TE LOGO | - | YQ | GREG |
| 4 | | UPDATE THE MARKING | - | YQ | GREG |
| 5 | | UPDATE THE MARKING | - | YQ | GREG |
| 6 | | REDRAWN IN CREO | 11OCT2018 | RS | KP |

1/2"-13 UNC TAPPED HOLE
 0.015" OVERSIZE
 FULLY THREAD 0.63"(16)
 DEEP EQUI-SPACED, 4PL.



Notes:

1. All ferrous parts hot-dip galvanized to ASTM A153
2. Additional mark on porcelain
Batch traceability number
3. Reference standard ANSI C29.9
4. Mark on porcelain:



Mechanical Properties

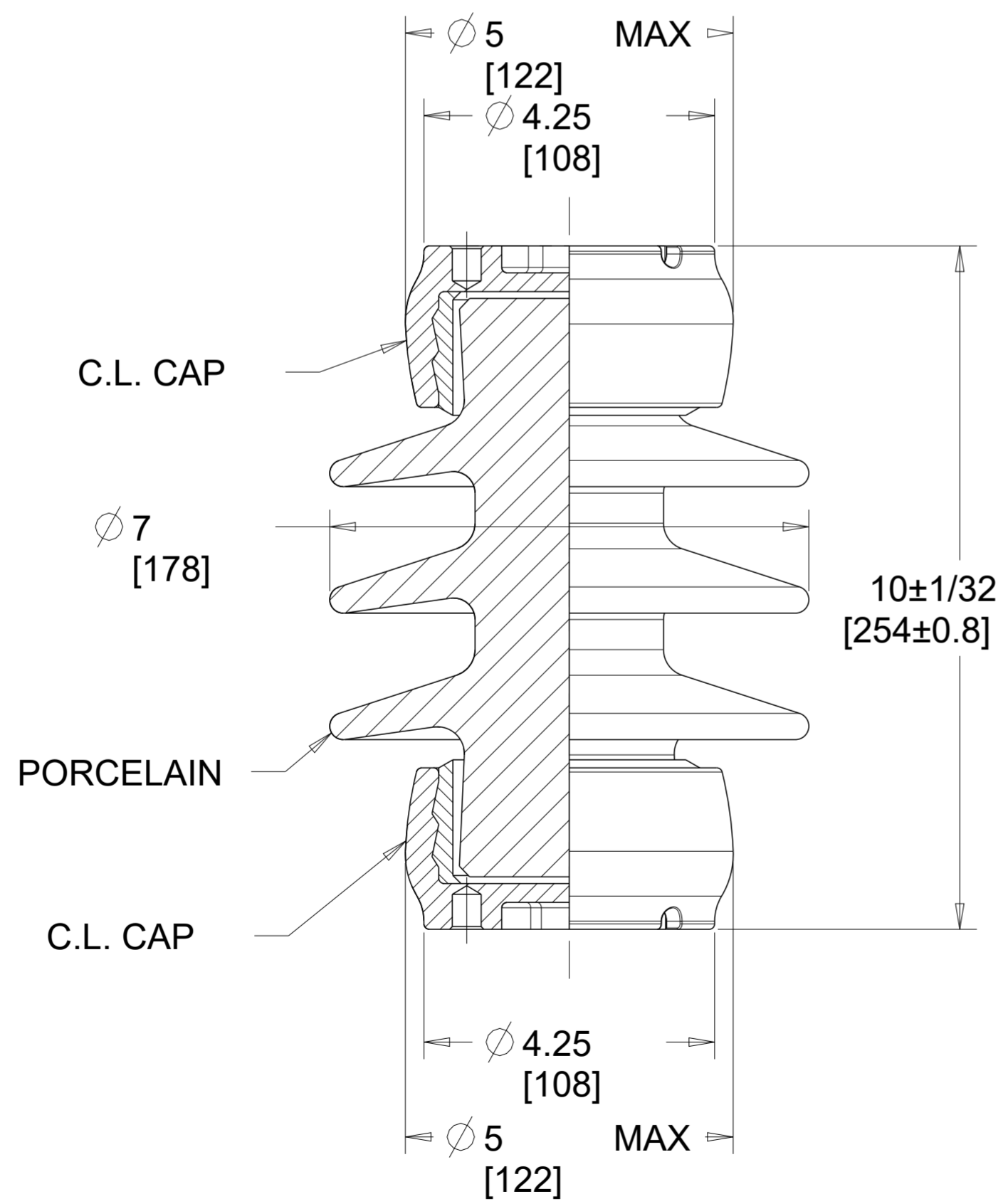
| Units | English | Metric |
|----------------------|------------|---------|
| Tensile Strength | 8500 lb | 38 kN |
| Compression Strength | 10,000 lb | 44.5 kN |
| Torsional Strength | 7000 in-lb | 791 N-m |
| Cantilever Strength | 2000 lb | 8.9 kN |

Electrical Properties

| | |
|--|--------|
| Impulse Withstand Voltage | 110 kV |
| Wet p.f. Frequency Withstand | 45 kV |
| Critical Impulse Flashover Voltage, Positive | 125 kV |
| Radio-Influence Voltage | |
| Test Voltage to Ground | 10 kV |
| Max RIV at 1000kHz | 50 μV |

Physical Properties

| Units | English | Metric |
|---------------------------|---------|--------|
| Nominal Creepage Distance | 15.5 in | 394 mm |
| Approx Weight | 19.8 lb | 9 kg |
| Colour | Grey | |



TE P/N: F94049-000

| | | | | | |
|--|----------|--------------------------------|---|-----------|------------|
| THIS DRAWING IS A CONTROLLED DOCUMENT. | | DWN RAVI.S 11OCT2018 | TE Connectivity | | |
| DIMENSIONS: inch (mm) | | CHK K.PUSTHAY 11OCT2018 | | | |
| TOLERANCES UNLESS OTHERWISE SPECIFIED: | | APVD K.PUSTHAY 11OCT2018 | NAME PORCELAIN STATION POST INSULATOR, TR 205 | | |
| 0 PLC ± | 1 PLC ± | PRODUCT SPEC | SIZE | CAGE CODE | DRAWING NO |
| 2 PLC ± | 3 PLC ± | APPLICATION SPEC | A2 | 00779 | SP-TR205PG |
| 4 PLC ± | ANGLES ± | WEIGHT | RESTRICTED TO | | |
| FINISH | | | - | | |
| MATERIAL | | CUSTOMER DRAWING | SCALE | SHEET | REV |
| | | | NTS | 1 OF 1 | 6 |