

# High Voltage Gas-Filled Relay

## Features

### Physical:

- Hermetically Sealed: arc contained
- Maintenance free

### Environmental:

- Temperature range -55°C to 125°C
- 50G Shock

### Power Switching:

- Gas filled for "Make only" power switching
- Used for capacitive discharge applications

### Coil Voltage:

- 12, 26.5, 115 Vdc Standard



**CII Technologies**™  
advanced control electronic solutions

P.O. Box 4422, Santa Barbara, CA 93140  
Phone (805) 684-4560 Fax (805) 684-9679  
E-Mail: [info@ciitech.com](mailto:info@ciitech.com)  
Internet: <http://www.ciitech.com/>

TITLE

**High Voltage Gas-Filled Relay**

PREP. BY JT 11/19/87

CHKD. BY RG 12/3/87

ENG APRVL RG 12/3/87

DWG NO.

**HC-5 SERIES**

CAGE CODE

18741

SCALE

NA

SHEET

1 of 5

## General Specifications

B

### Physical Data

### Units

Contact Arrangement		SPDT
Form		C
Weight	oz	1

### Environmental Data

Shock, 11ms ½ sine	$g_{peak}$	50
Vibration, 10 $g_{peak}$	Hz	55-2000
Operating Temperature Range	°C	-55 to +125

### Electrical Data

Test Voltage (dc or 60 Hz)	$kV_{peak}$	5
Rated Operating Voltage (dc or 60 Hz)	$kV_{peak}$	3.5
Coil Hi-Pot	$V_{rms}$	500
Continuous Current Carry, Contacts Closed (dc or 60 Hz)	A	8
Contact Resistance, maximum*	Ohms	0.50
Mechanical Life	cycles	1,000,000

### Mechanical Data

Operate Time, Maximum	ms	6
Release Time, Maximum	ms	6

1. RATINGS LISTED ARE FOR 25 °C SEA LEVEL CONDITIONS.
2. RELAY BASE MUST BE GROUNDED

\*CONTACT RESISTANCE FOR GAS FILLED RELAYS IS MEASURED AT 28 Vdc, 1 Ampere



P.O. Box 4422, Santa Barbara, CA 93140  
 Phone: (805) 684-4560 Fax: (805) 684-9679  
 E-Mail: [info@ciitech.com](mailto:info@ciitech.com)  
 Internet: <http://www.ciitech.com>

## HC-5 SERIES

THIRD ANGLE PROJECTION



THIS DRAWING  
 PREPARED IN  
 ACCORDANCE WITH

CAGE CODE

10744

SCALE

1:1

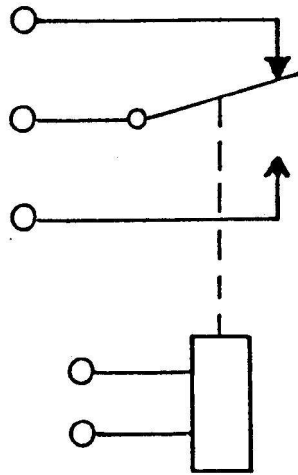
SHEET

0 of 5

Coil Data

	Units	HC-5/12VDC	HC-5	HC-5/115VDC
Coil Voltage, nominal	Vdc	12	26.5	115
Pickup Voltage, maximum	Vdc	8	16	80
Drop-out Voltage	Vdc	.5-5	1-10	5-50
Coil Resistance (± 10%)	Ohms	80	335	6000

Schematic



P.O. Box 4422, Santa Barbara, CA 93140  
 Phone: (805) 684-4560 Fax: (805) 684-9679  
 E-Mail: [info@ciitech.com](mailto:info@ciitech.com)  
 Internet: <http://www.ciitech.com>

**HC-5 SERIES**

THIRD ANGLE PROJECTION



THIS DRAWING  
 PREPARED IN  
 ACCORDANCE WITH

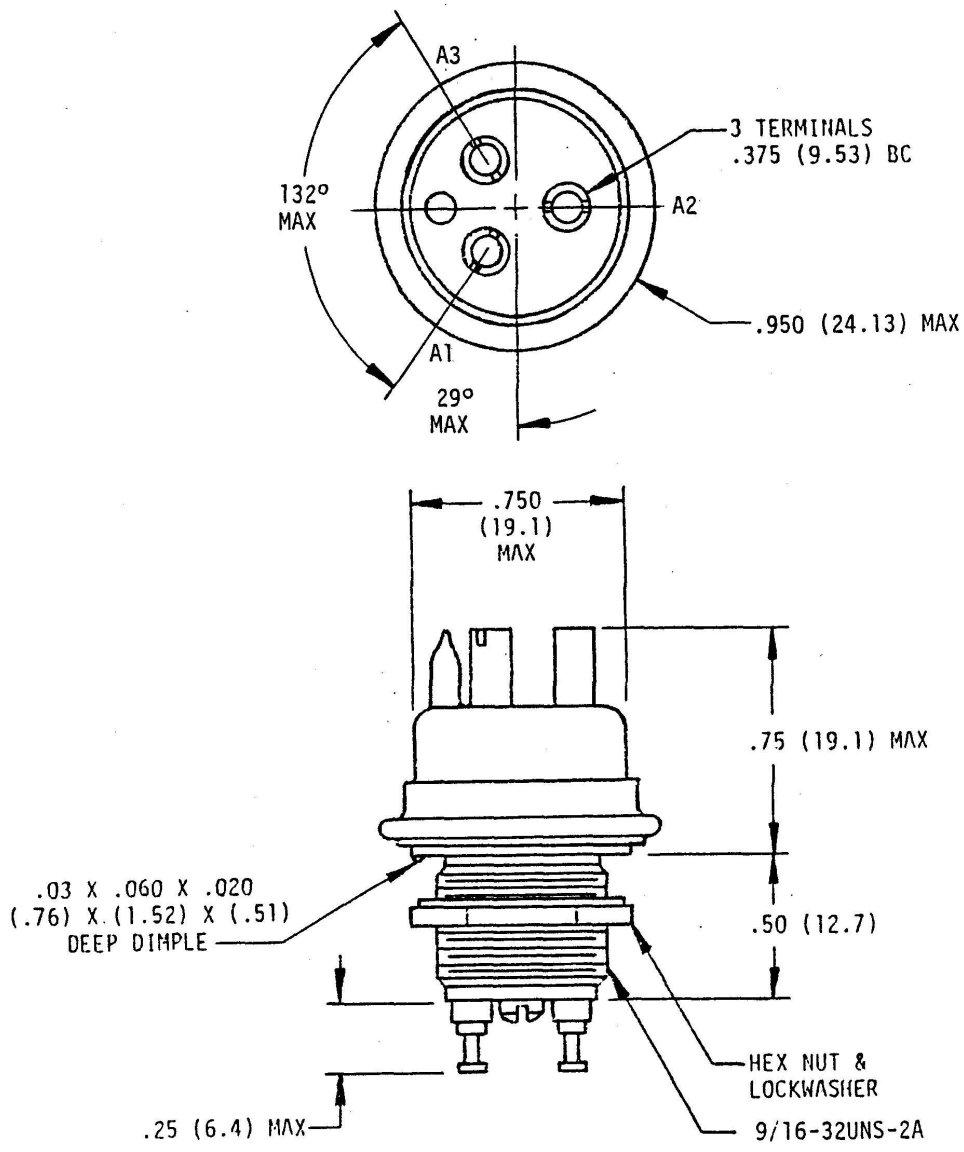
CAGE CODE

SCALE

SHEET

**Part Drawing**

**B**



**Dimensions in Inches**  
 (Dimensions in Parentheses are in Millimeters)  
 Tolerances Except as Noted  
 .xx = ±.03  
 .xxx = ±.010  
 ∠ x° = ± 2°  
 DO NOT SCALE DWG.



P.O. Box 4422, Santa Barbara, CA 93140  
 Phone: (805) 684-4560 Fax: (805) 684-9679  
 E-Mail: [info@ciitech.com](mailto:info@ciitech.com)  
 Internet: <http://www.ciitech.com>

**HC-5 SERIES**

THIRD ANGLE PROJECTION



THIS DRAWING PREPARED IN ACCORDANCE WITH

CAGE CODE

SCALE

SHEET

### Revisions

REV.	DESCRIPTION	DATE	APP.	
A	Initial Release	NPR 7859	87/12/03	RG
B	New Template	DCO 11856	99-09-23	RJG



P.O. Box 4422, Santa Barbara, CA 93140  
Phone: (805) 684-4560 Fax: (805) 684-9679  
E-Mail: [info@ciitech.com](mailto:info@ciitech.com)  
Internet: <http://www.ciitech.com>

## HC-5 SERIES

THIRD ANGLE PROJECTION



THIS DRAWING  
PREPARED IN  
ACCORDANCE WITH

CAGE CODE

40744

SCALE

1:1

SHEET

5 of 5