

High Voltage Vacuum Relay

Features

Physical:

- Hermetically Sealed: arc contained
- Maintenance free
- Long leakage path especially suited for RF applications

Environmental:

- Temperature range -55°C to 125°C
- 20G Shock

Ratings:

- 30 kVdc
- 7 kV @ 32 MHz
- 30 Adc carry

Coil Voltage:

- 12, 26.5, 115 Vdc Standard



CII Technologies™
advanced control electronic solutions

P.O. Box 4422, Santa Barbara, CA 93140
Phone (805) 684-4560 Fax (805) 684-9679

E-Mail: info@ciitech.com

Internet: <http://www.ciitech.com/>

TITLE

High Voltage Vacuum Relay

PREP. BY

JP

6-1-82

DWG NO.

H-23

CHKD. BY

RJG

9-7-99

CAGE CODE

18741

SCALE

SHEET

General Specifications

E

Physical Data

Units

| | | |
|---------------------|----|---------|
| Contact Arrangement | | SPST-NC |
| Form | | B |
| Weight, Maximum | oz | 7 |

Environmental Data

| | | |
|-----------------------------|------------|-------------|
| Shock, 11ms ½ sine | g_{peak} | 20 |
| Vibration, 55-500 Hz | g_{rms} | 10 |
| Operating Temperature Range | °C | -55 to +125 |

Electrical Data

| | | |
|-----------------------------------|---------|-----------|
| Test Voltage (dc or 60 Hz) | kV peak | 35 |
| Rated Operating Voltage | | |
| dc or 60 Hz | kV peak | 30 |
| 2.5 MHz | kV peak | 24 |
| 16 MHz | kV peak | 18 |
| 32 MHz | kV peak | 7 |
| Continuous Current Carry, Maximum | | |
| dc or 60 Hz | A RMS | 30 |
| 2.5 MHz | A RMS | 20 |
| 16 MHz | A RMS | 12 |
| 32 MHz | A RMS | 7 |
| Coil Hi-Pot (60 Hz) | V RMS | 500 |
| Contact Resistance, Maximum | Ohms | 0.015 |
| Mechanical Life | cycles | 1,000,000 |

Mechanical Data

| | | |
|--------------|----|----|
| Operate Time | ms | 30 |
| Release Time | ms | 20 |

1. RATINGS ARE FOR 25 °C SEA LEVEL CONDITIONS.
2. RELAY BASE MUST BE GROUNDED



P.O. Box 4422, Santa Barbara, CA 93140
 Phone: (805) 684-4560 Fax: (805) 684-9679
 E-Mail: info@ciitech.com
 Internet: <http://www.ciitech.com>

H-23

THIRD ANGLE PROJECTION



THIS DRAWING
PREPARED IN
ACCORDANCE WITH

CAGE CODE

10744

SCALE

N/A

SHEET

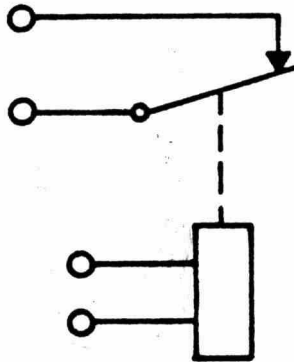
0 of 5

Coil & Electronic Data

E

| | Units | H-23/12VDC | H-23 | H-23/115VDC |
|-------------------------|-------|------------|------|-------------|
| Coil Voltage, Nominal | Vdc | 12 | 26.5 | 115 |
| Pickup Voltage | Vdc | 8 | 16 | 80 |
| Drop-out | Vdc | .5-5 | 1-10 | 5-50 |
| Coil Resistance (± 10%) | Ohms | 24 | 120 | 2000 |

Schematic



P.O. Box 4422, Santa Barbara, CA 93140
 Phone: (805) 684-4560 Fax: (805) 684-9679
 E-Mail: info@ciitech.com
 Internet: <http://www.ciitech.com>

H-23

THIRD ANGLE PROJECTION



THIS DRAWING
 PREPARED IN
 ACCORDANCE WITH

CAGE CODE

40744

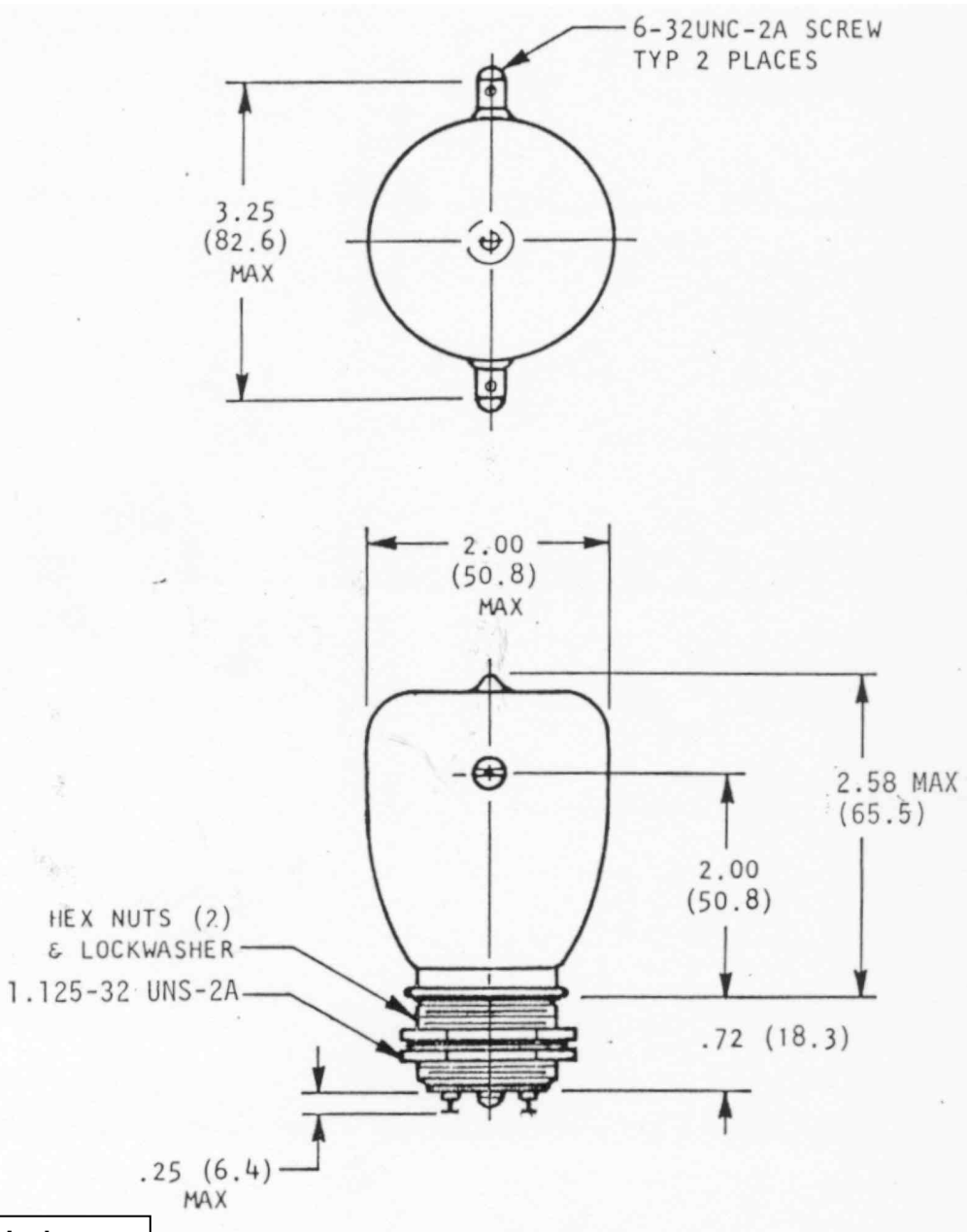
SCALE

N/A

SHEET

0 of 5

Part Drawing



Dimensions in Inches
 (Dimensions in Parentheses
 are in Millimeters)
 Tolerances Except as Noted
 .xx = ± .03
 .xxx = ± .010
 ∠ x° = ± 2°
 DO NOT SCALE DWG.

P.O. Box 4422, Santa Barbara, CA 93140
 Phone: (805) 684-4560 Fax: (805) 684-9679
 E-Mail: info@ciitech.com
 Internet: <http://www.ciitech.com>

H-23

THIRD ANGLE PROJECTION

THIS DRAWING
 PREPARED IN
 ACCORDANCE WITH

CAGE CODE

SCALE

SHEET

Revisions

| REV. | DESCRIPTION | DATE | APP. |
|------|-----------------------------------|----------|------|
| A | Initial Release ECO 6359 | 82/06/03 | LL |
| B | Revised Pages 1 and 4 ECO 7438 | 86/06/06 | RG |
| C | Revised Pages 1, 2 and 4 ECO 7702 | 87/05/08 | DKP |
| D | Revised Pages 1 and 2 ECO 7815 | 87/10/07 | RG |
| E | New Template DCO 11856 | 99/09/07 | RJG |



P.O. Box 4422, Santa Barbara, CA 93140
 Phone: (805) 684-4560 Fax: (805) 684-9679
 E-Mail: info@ciitech.com
 Internet: <http://www.ciitech.com>

H-23

THIRD ANGLE PROJECTION



THIS DRAWING
 PREPARED IN
 ACCORDANCE WITH

CAGE CODE

40744

SCALE

N/A

SHEET

5 of 5