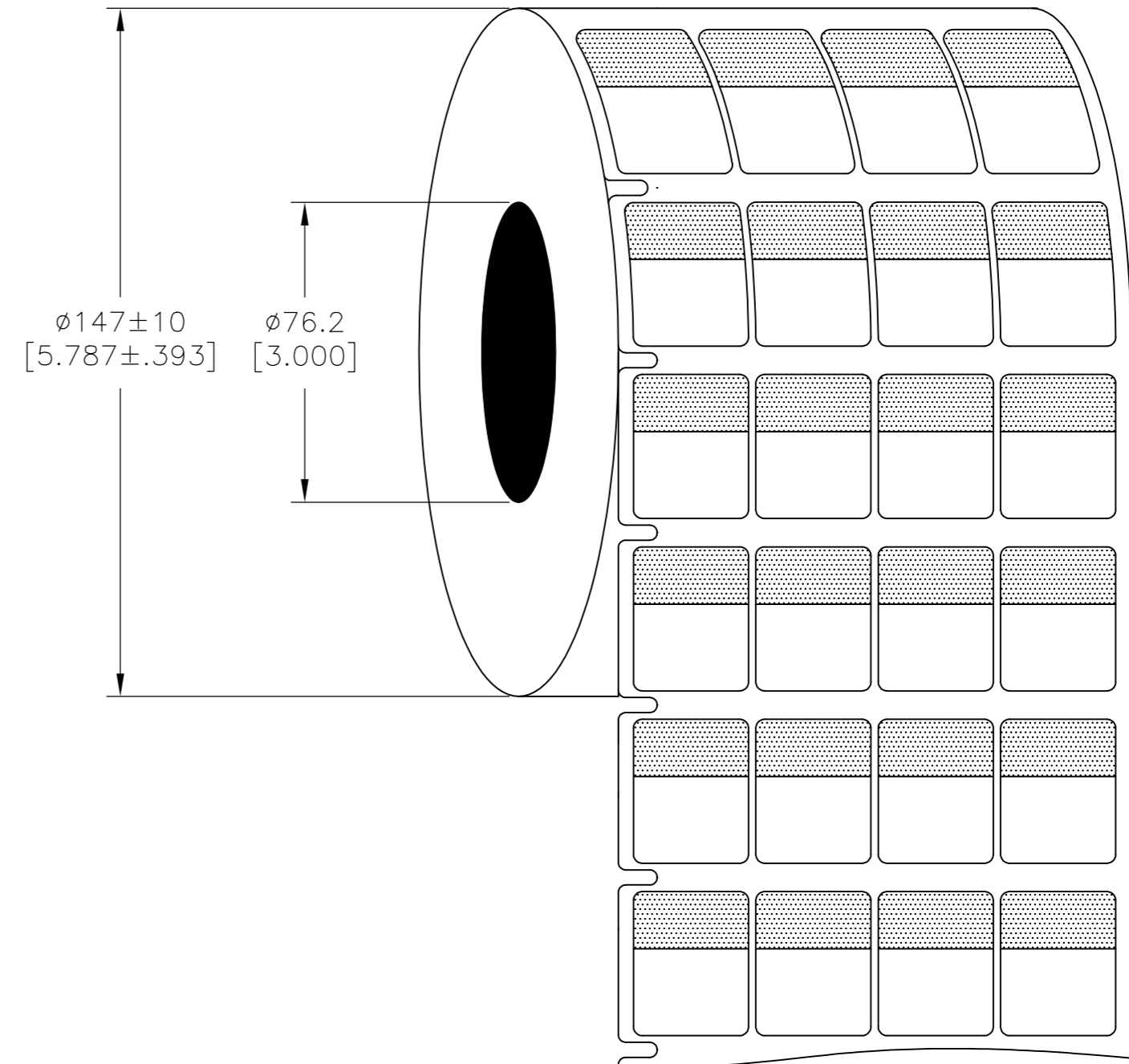
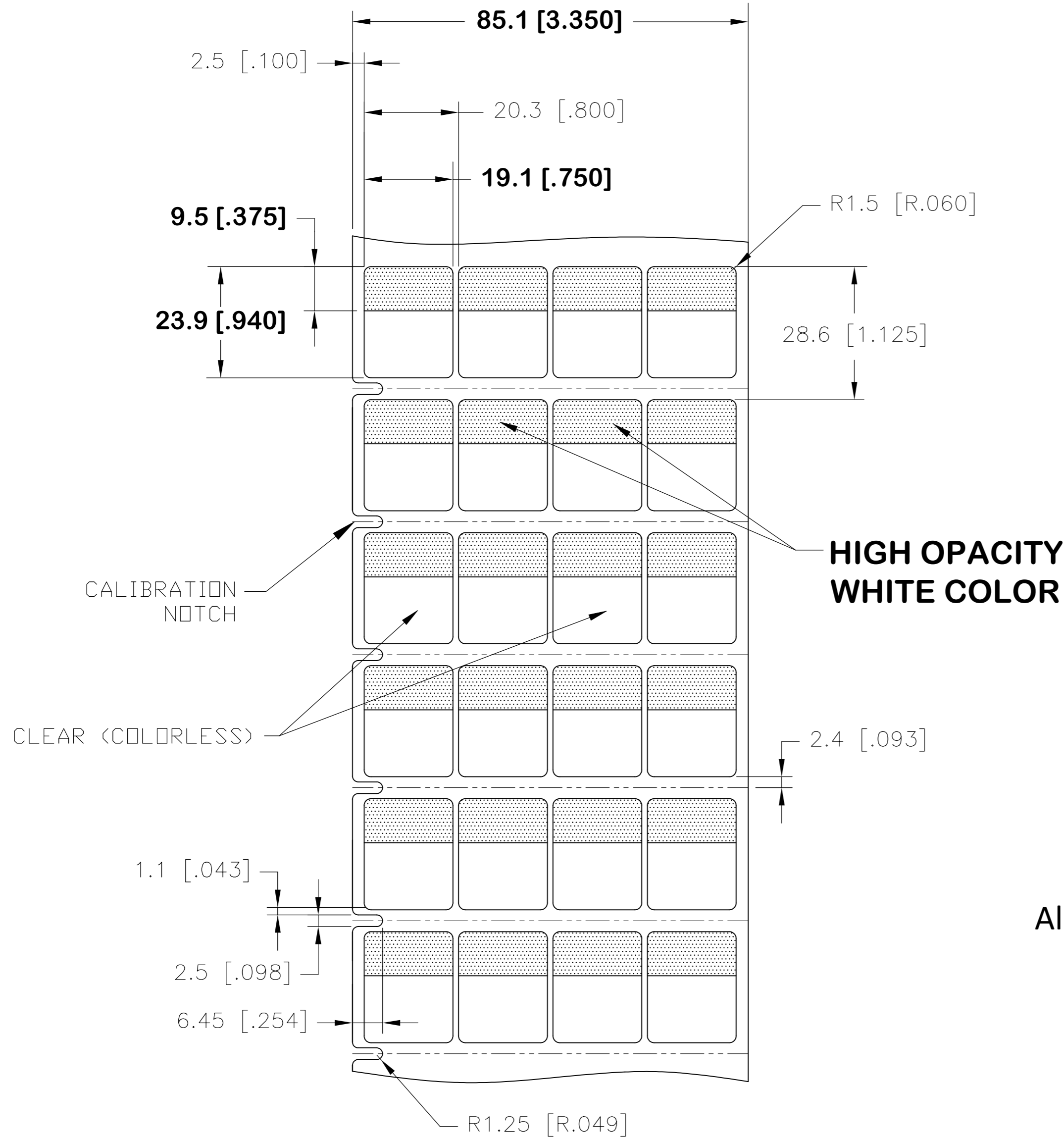


REVISIONS					
P	LTR	DESCRIPTION	DATE	DWN	APVD
	A	NEW DRAWING	18MAR2017	GK	DB
	F	LINER CHANGE	10SEP2018	GK	DB

LABEL AND LINER DESIGN

PRESENTATION



**OUTSIDE WOUND
 LABEL ACROSS: 4
 PER ROLL QTY: 10000**

All dimensions in mm [Inch]

TE PN: CN2895-000

UL-MARKING AND LABELLING SYSTEMS		
PGIS2 - Marking and Labeling Systems, Limited Use - Component (UL 969)		
File: MH61871	Product design: SBP	Ribbon: TMS-XXX-RIBBON-4RPSCE

TOLERANCES mm [INCH]	
LABEL HEIGHT:	±0.3 [.012]
LABEL WIDTH:	±0.3 [.012]
WEB WIDTH:	±0.8 [.031]
VERTICAL REPEAT:	±0.8 [.031]*
HORIZONTAL REPEAT:	±0.8 [.031]*
PRINT POSITIONING:	±0.8 [.031]*
LEFT MARGIN:	±0.4 [.016]
QUANTITY:	-0 % +2 %
*NON ACCUMULATING	

THIS DRAWING IS A CONTROLLED DOCUMENT.		DWN 18MAR2017 GOPALAKRISHNA HV	
DIMENSIONS: mm [INCHES]		CHK 18MAR2017 D.BURGAT	
TOLERANCES UNLESS OTHERWISE SPECIFIED:		APVD 18MAR2017 D.BURGAT	
0 PLC ±		NAME	
1 PLC ± -		SBP LABEL - WHITE	
2 PLC ± -		19.1 x 23.9mm [0.75 x 0.94inch]	
3 PLC ± -		PRODUCT SPEC TTDS-211	
4 PLC ± -		APPLICATION SPEC	
ANGLES ± -		SIZE CAGE CODE DRAWING NO	
FINISH		RESTRICTED TO	
MATERIAL SEE TABLE		WEIGHT 0.063g	
GLOSSY		A2 00779 C=SBP075094WE10	
		CUSTOMER DRAWING	
		SCALE NTS SHEET 1 of 1 REV F	