

REVISIONS		
LTR	DESCRIPTION	DATE
A	INITIAL RELEASE OF DRAWING PER ECO-15-011161	07/30/2015

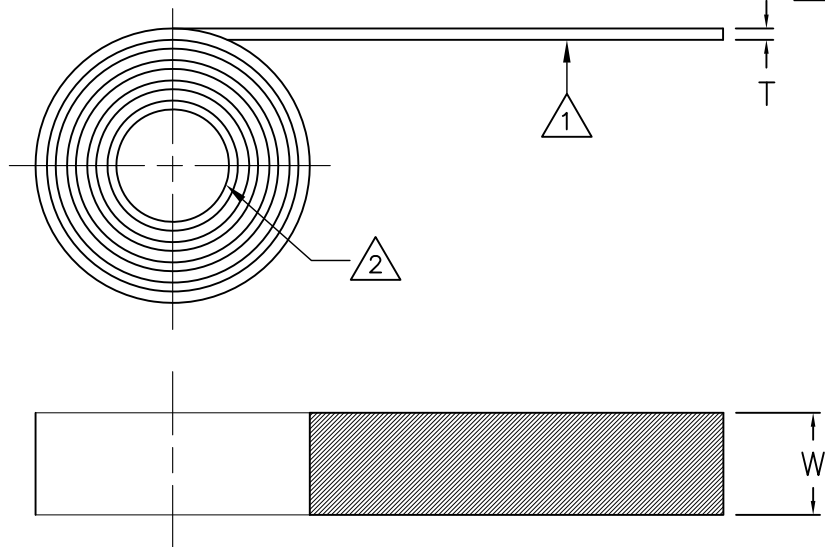

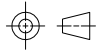


TABLE OF DIMENSIONS			
PART DESCRIPTION	W ±.15	T ±.003	LENGTH FEET(MIN)
S1260-TAPE-3/4 X 25 FT	.75 [19.0]	.013 [.33]	25.00 [7620]

NOTES

- 1. ADHESIVE S1260, NATURAL
- 2. TAPE SHALL BE SPOOLED ON A FIBER OR PLASTIC HUB.
- 3. SLITTING: REFER TO PURCHASE SPEC No. TUS-22-3463.
- 4. MADE IN ACCORDANCE TO RT-1050/29.
- 5. ALL DIMENSIONS ARE IN INCHES [MM].
- 6. ORDERING INFORMATION: S1260-TAPE-3/4IN X 25FT-CL.

Raychem Molded Parts
CUSTOMER DRAWING

<small>UNLESS OTHERWISE SPECIFIED DIMENSIONS ARE IN INCHES. METRIC DIMENSIONS ARE SHOWN IN BRACKETS.</small> <small>DECIMAL TOLERANCES</small> .XXX ± 0.005 [0.13 mm] .XX ± 0.01 [0.25 mm] .X ± 0.1 [0.50 mm] <small>ANGLE TOLERANCE</small> .x ± 1 DEG.	<small>DRAWN</small> GMR 7/23/2015	 <small>TE Connectivity</small>
	<small>APPROVED</small> D.N. 7/23/2015	
<small>TYCO ELECTRONICS RESERVES THE RIGHT TO AMEND THIS DRAWING AT ANY TIME. USERS SHOULD EVALUATE THE SUITABILITY OF THE PRODUCT FOR THEIR APPLICATION.</small>	<small>THIRD ANGLE PROJECTION</small> 	<small>SIZE</small> B <small>CODE IDENT. NO.</small> 06090 <small>DWG. NO.</small> S1260
<small>© 2015 Tyco Electronics Corporation. All rights reserved.</small>		<small>DO NOT SCALE THIS DRAWING</small>