

### SAFETY ORGANIZATIONS

THIS JACK HAS BEEN FORMALLY RECOGNIZED, CERTIFIED OR APPROVED BY THE LISTED AGENCY. THEREFORE, ALL TEST/REQUIREMENTS SPECIFIED IN THE LATEST REVISION OF THE FOLLOWING AGENCY STANDARDS HAVE BEEN MET.

UL RECOGNIZED                      UL 1853  
 CSA CERTIFIED                    CSA C22.2 No. 182.4

### SPECIFICATIONS

#### CONTACTS

MATERIAL:                      PHOSPHOR BRONZE  
 PLATING:                        50 MICROINCHES GOLD  
 BARRIER UNDERPLATING:    100 MICROINCHES NICKEL  
 RESISTANCE:  
 INITIAL:                         20 MILLIOHMS MAXIMUM  
 AFTER DURABILITY TESTING  
 (500 MATING CYCLES):       30 MILLIOHMS MAXIMUM

#### FERRITES

TYPE:                            HIGH RESISTIVITY, NICKEL ZINC CERAMIC  
 BLOCK:                         MULTI-TEMPERATURE RECTANGULAR PRISM

#### SHIELD MATERIAL

SOLDER-PLATED COPPER ALLOY

#### HOUSING MATERIAL

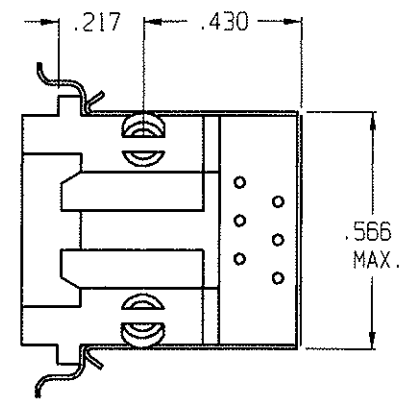
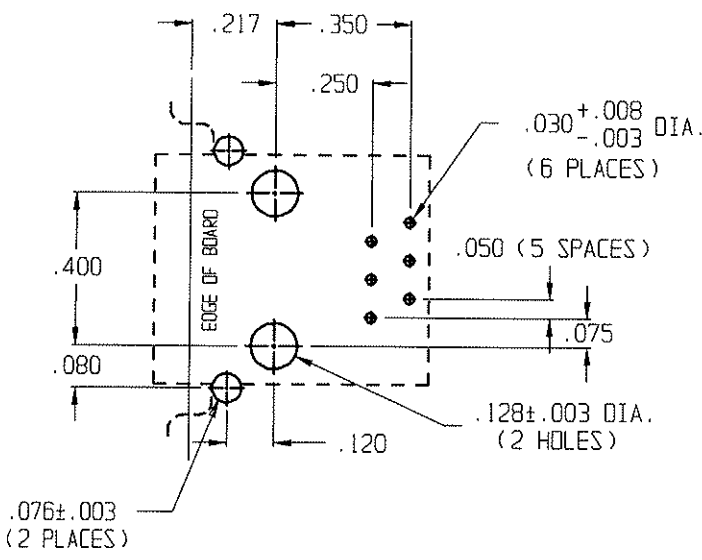
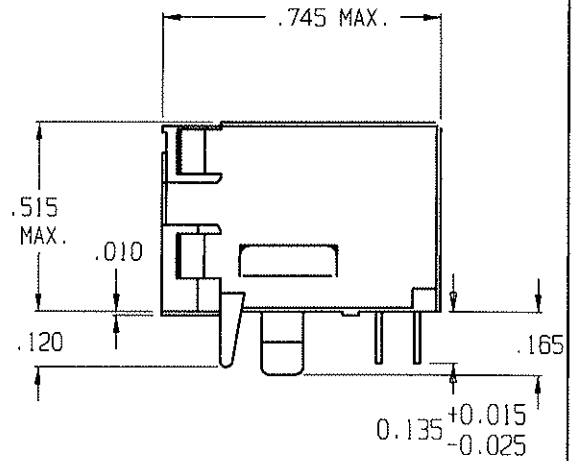
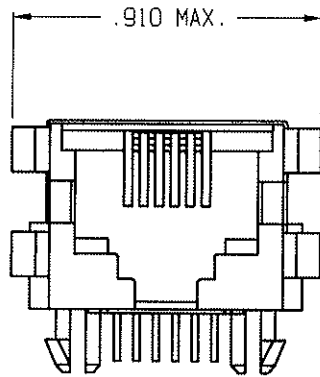
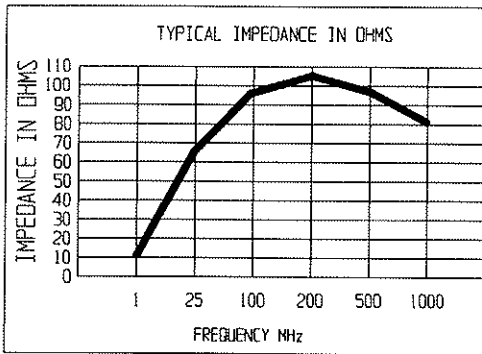
GLASS-FILLED POLYESTER (UL94V-0)

#### DIELECTRIC WITHSTANDING VOLTAGE

LINE-TO-LINE AND LINE-TO-GROUND    1000 VAC FOR 60 SECONDS

#### PRINTED CIRCUIT BOARD RETENTION

BEFORE SOLDERING:                      1 LB. MINIMUM  
 AFTER SOLDERING:                        20 LB. MINIMUM



COMPLIES WITH FCC PART 68

PC BOARD LAYOUT

THIRD ANGLE PROJECTION			
UNLESS OTHERWISE SPECIFIED, TOLERANCE TO BE ±.010 MATERIAL & FINISH: AS SUPPLIED		844 E. ROCKLAND RD. LIBERTYVILLE IL 60048	
This document is proprietary to CORCOM INC. and is not to be reproduced nor used for manufacturing purposes except on CORCOM'S prior written consent.		<b>FILTERED MODULAR JACK</b>	
CAO FILE: G:\CORJ116N3800	SCALE: NTS	DATE: 8-14-98	CATALOG NO. REV.
DRW. BY: SD	DRG: MAC	RJ11-6N3-B 00	