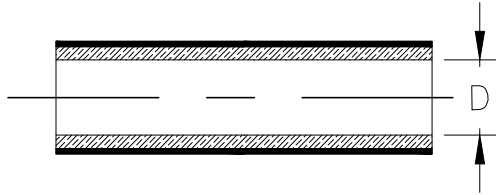


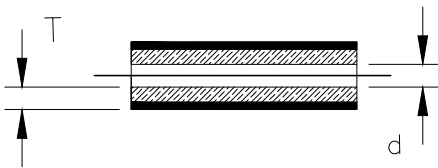
REVISIONS					
P	LTR	DESCRIPTION	DATE	DWN	APVD
	A1	REVISED PER ECR-20-003864	16MAR2020	RK	HD

Component 1 HTAT-16/4

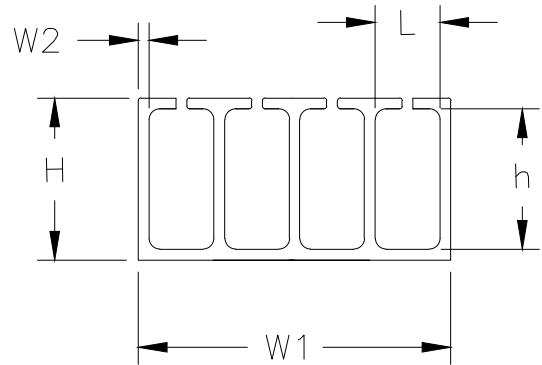
a) Part as supplied



b) Part fully recovered



Component 2 RBK-105-NR5040/A-X


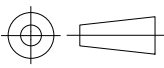


PRODUCT DIMENSIONS & NOTES

DIMENSIONS (in millimetres)

Component 1: HTAT-16/4-0			Component 2: RBK-105-NR5040/A-X				
D	d	T	H	h	L	W1	W2
MIN	MAX	NOM	±20%	±20%	±20%	±20%	±30%
a	b	b					
16.0	4.0	1.8	8.50	6.50	2.75	16.00	1.0
Supplied cut length 45mm ±1.5mm			Supplied cut length 8mm ±0.8mm				
<b>MATERIAL:</b> JACKET: Flame Retarded Modified Polyolefin (Colour: Black) LINER: Hot Melt Adhesive (Colour: Amber)			<b>MATERIAL:</b> Hot Melt Adhesive (Colour: Amber)				

© 2015 TE Connectivity. All Rights Reserved.

DIMENSIONS: mm	DWN	HD	25FEB2015	MATERIAL	-	FINISH	-
	CHK	CD	25FEB2015	 TE Connectivity			
TOLERANCES UNLESS OTHERWISE SPECIFIED:	APVD	CD	25FEB2015				
	0 PLC	± -	PRODUCT SPEC	108-120026	SIZE	A4	CAGE CODE
1 PLC	± -	APPLICATION SPEC	-	DRAWING NO	C-RBK-105-KIT-0504-A0		
2 PLC	± -	WEIGHT	1.90 g	RESTRICTED TO	-		
3 PLC	± -		CUSTOMER DRAWING	SCALE	NTS	SHEET	1 of 1
4 PLC	± -			REV	A1		
ANGLES	± -						