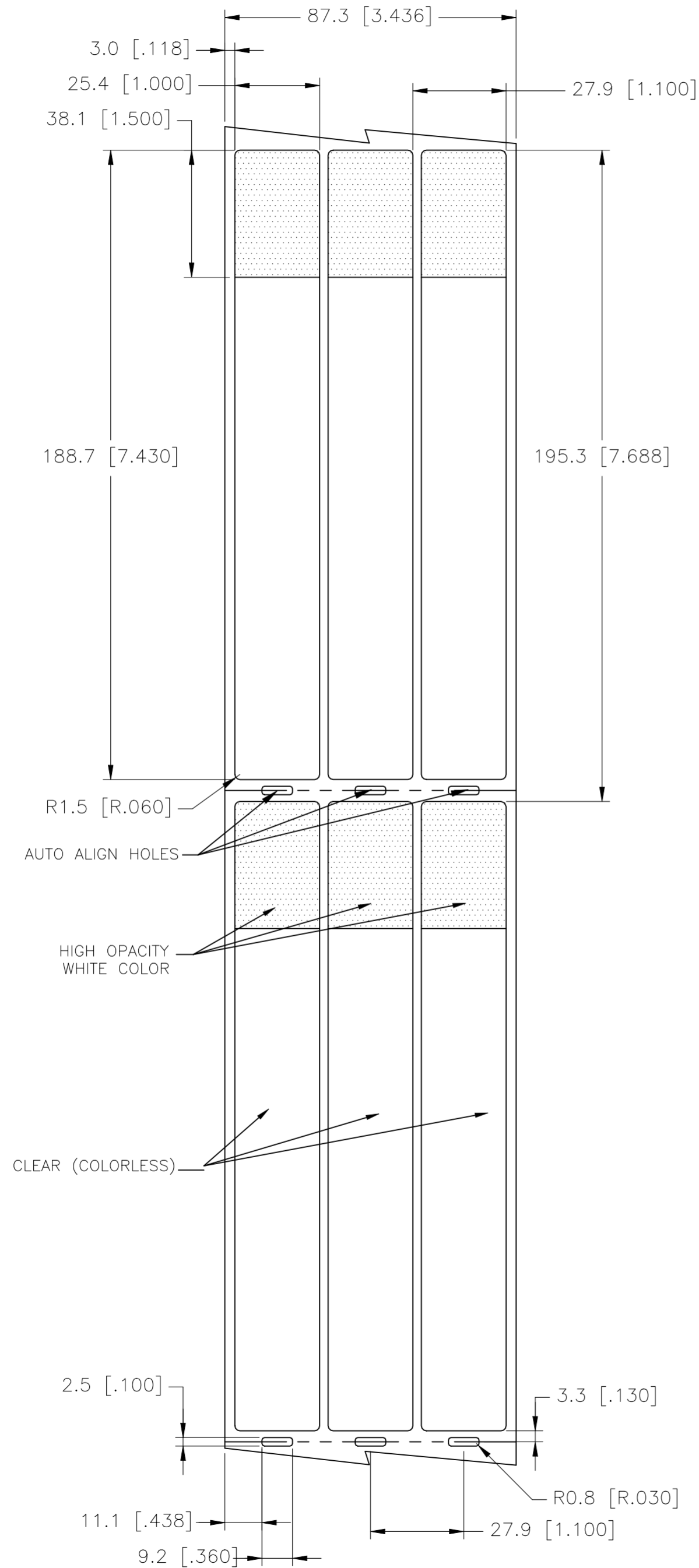
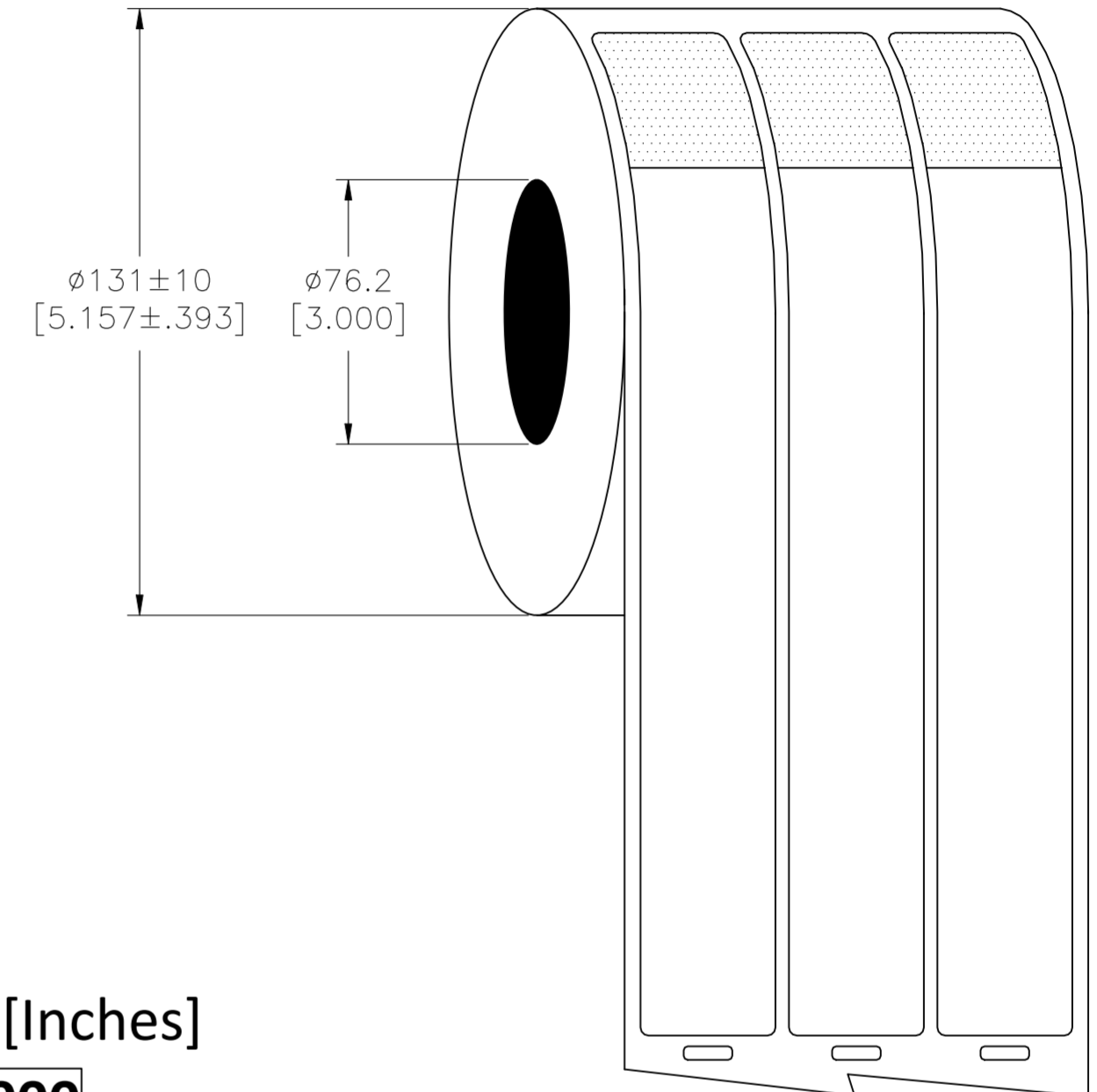


REVISIONS					
P	LTR	DESCRIPTION	DATE	DWN	APVD
A		INITIAL RELEASE	14SEP2021	GK	DB

LABEL AND LINER DESIGN



PRESENTATION



All dimensions in mm [Inches]

TE PN: A11181-000

**OUTSIDE WOUND
LABEL ACROSS: 3
PER ROLL QTY: 1000**

TOLERANCES mm [INCH]	
LABEL HEIGHT:	±0.3 [.012]
LABEL WIDTH:	±0.3 [.012]
WEB WIDTH:	±0.8 [.031]
VERTICAL REPEAT:	±0.8 [.031]*
HORIZONTAL REPEAT:	±0.8 [.031]*
PRINT POSITIONING:	±0.8 [.031]*
LEFT MARGIN:	±0.4 [.016]
QUANTITY:	-0 % +2 %
*NON ACCUMULATING	

THIS DRAWING IS A CONTROLLED DOCUMENT.	
DIMENSIONS: mm [INCHES]	TOLERANCES UNLESS OTHERWISE SPECIFIED
0 PLC ±	1 PLC ±
2 PLC ±	3 PLC ±
4 PLC ±	ANGLES ±
MATERIAL SEE TABLE	FINISH GLOSSY

MATERIAL PVF CLEAR TEDLAR®	
ADHESIVE TYPE PERMANENT ACRYLIC	
LINEAR WHITE KRAFT	
DWN GOPALAKRISHNA HV 14SEP2021	CHK D.BURGAT 14SEP2021
APVD D.BURGAT 14SEP2021	NAME TE Connectivity
PRODUCT SPEC TTDS-111	APPLICATION SPEC
WEIGHT 0.319g	SIZE A2
CAGE CODE 00779	DRAWING NO C=PVF100743WE1
CUSTOMER DRAWING	RESTRICTED TO
SCALE NTS	SHEET 1 OF 1
REV A	