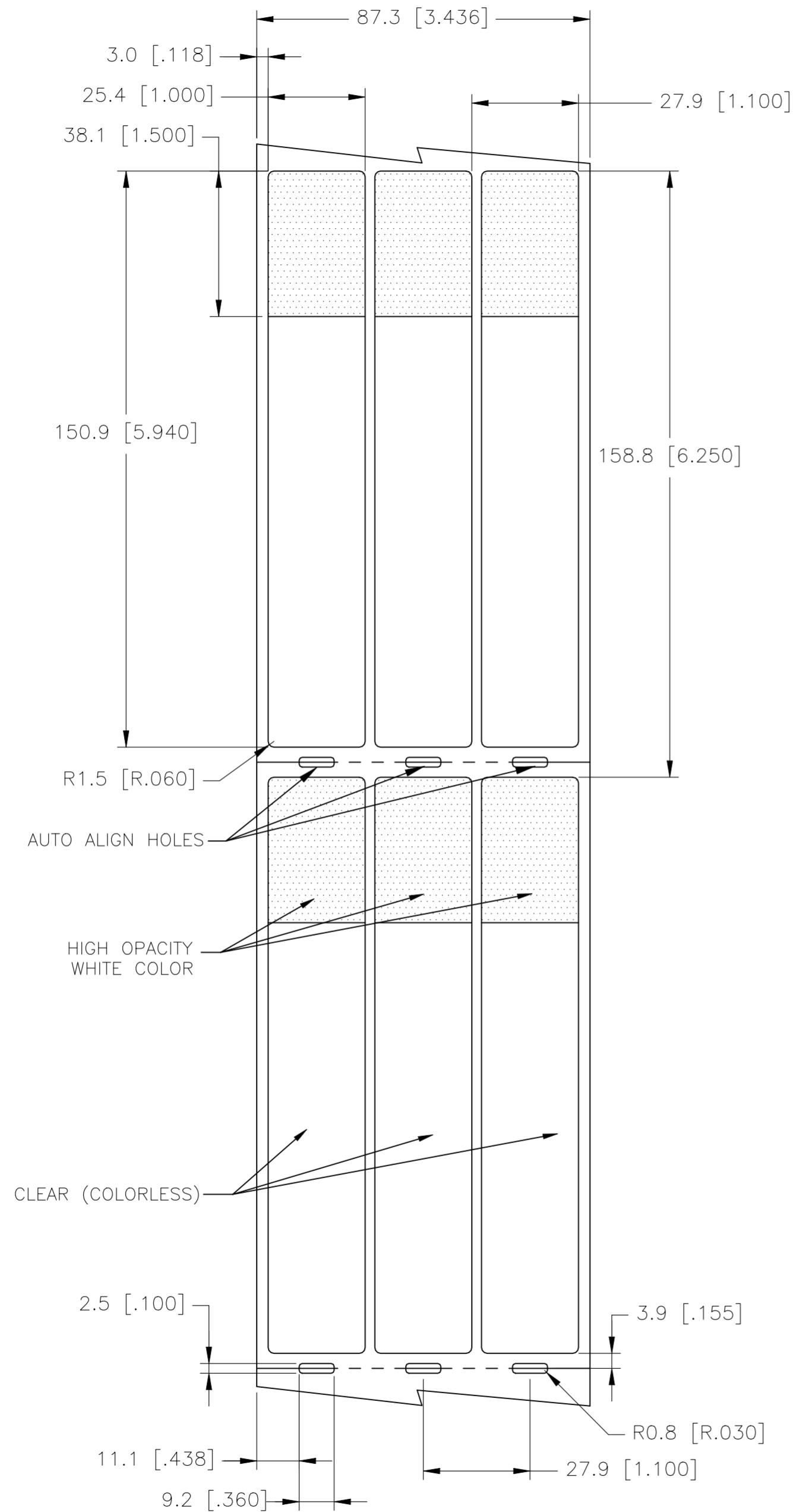
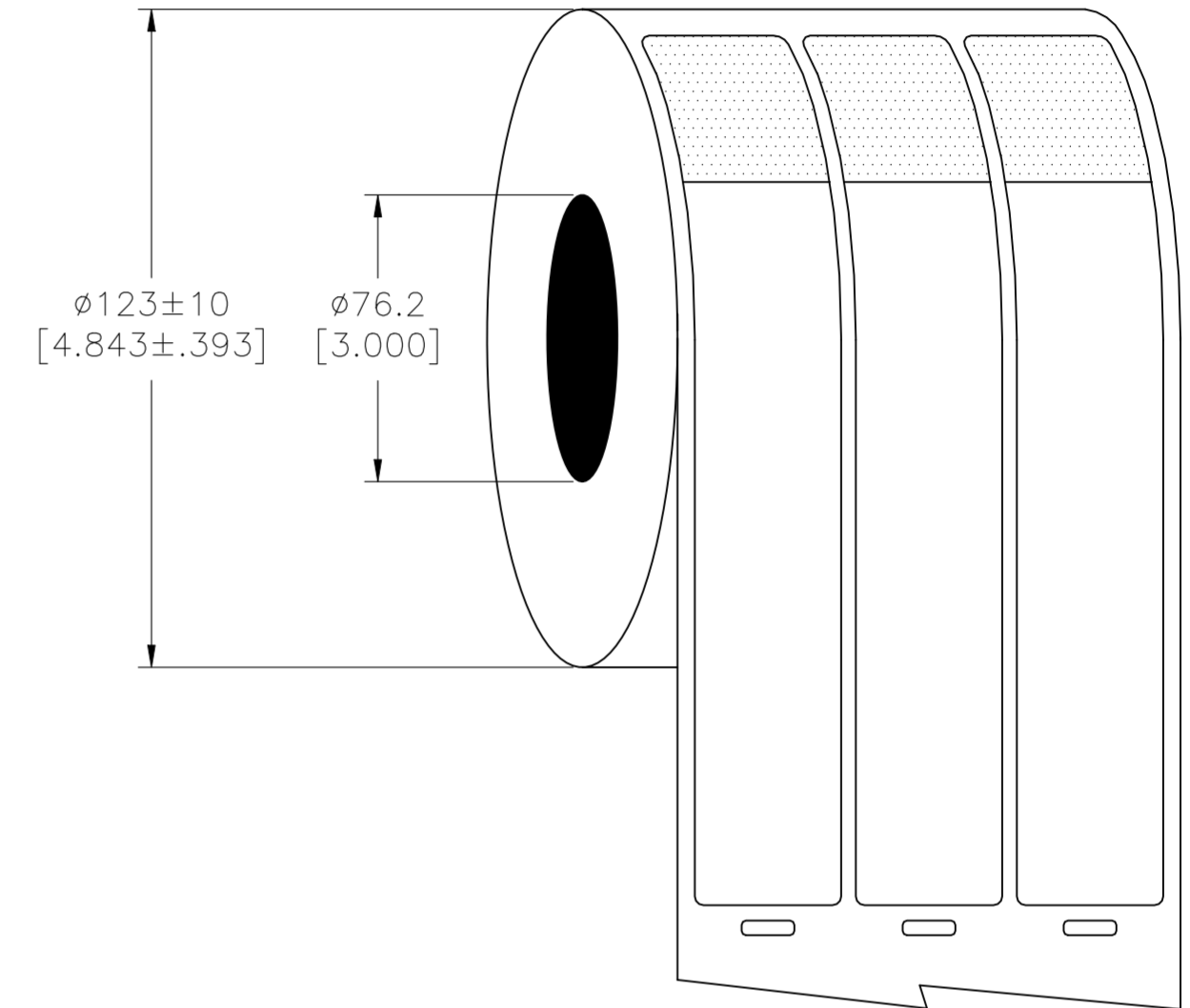


REVISIONS					
P	LTR	DESCRIPTION	DATE	DWN	APVD
A		INITIAL RELEASE	14SEP2021	GK	DB

LABEL AND LINER DESIGN



PRESENTATION



All dimensions in mm [Inches]

TE PN: E51531-000

**OUTSIDE WOUND
LABEL ACROSS: 3
PER ROLL QTY: 1000**

TOLERANCES mm [INCH]
LABEL HEIGHT: ± 0.3 [.012]
LABEL WIDTH: ± 0.3 [.012]
WEB WIDTH: ± 0.8 [.031]
VERTICAL REPEAT: ± 0.8 [.031]*
HORIZONTAL REPEAT: ± 0.8 [.031]*
PRINT POSITIONING: ± 0.8 [.031]*
LEFT MARGIN: ± 0.4 [.016]
QUANTITY: -0 % +2 %
*NON ACCUMULATING

THIS DRAWING IS A CONTROLLED DOCUMENT.	
DIMENSIONS: mm [INCHES]	TOLERANCES UNLESS OTHERWISE SPECIFIED
	0 PLC ±
	1 PLC ± -
	2 PLC ± -
	3 PLC ± -
	4 PLC ± -
	ANGLES ± -
MATERIAL SEE TABLE	FINISH GLOSSY

MATERIAL PVF CLEAR TEDLAR®	
ADHESIVE TYPE PERMANENT ACRYLIC	
LINEAR WHITE KRAFT	
DWN GOPALAKRISHNA HV 14SEP2021	CHK D.BURGAT 14SEP2021
APVD D.BURGAT 14SEP2021	NAME TE Connectivity
PRODUCT SPEC TTDS-111	APPLICATION SPEC
WEIGHT 0.255g	SIZE A2
CAGE CODE 00779	DRAWING NO C-PVF100594WE1
CUSTOMER DRAWING	
SCALE NTS	SHEET 1 OF 1
REV A	RESTRICTED TO