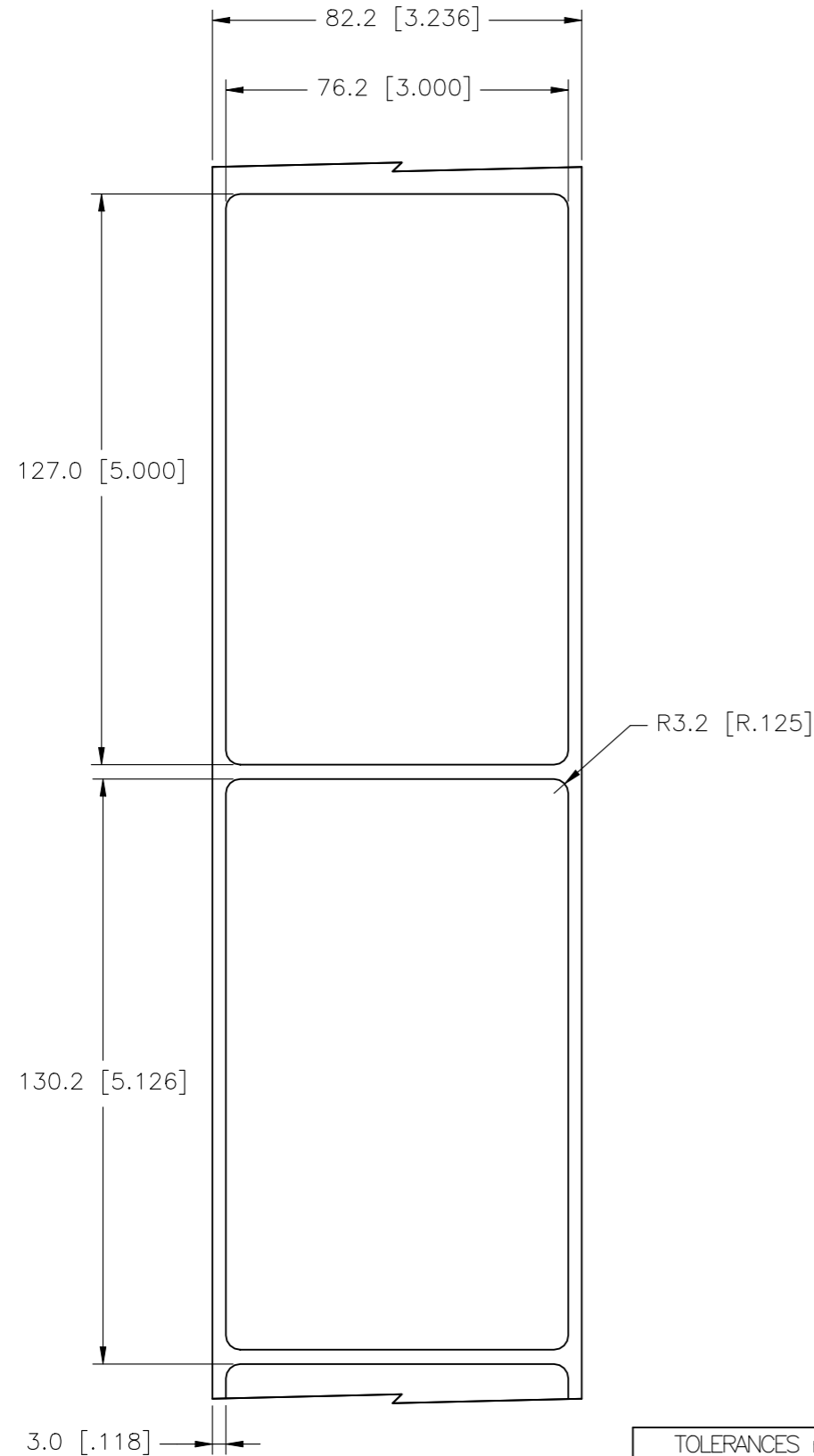
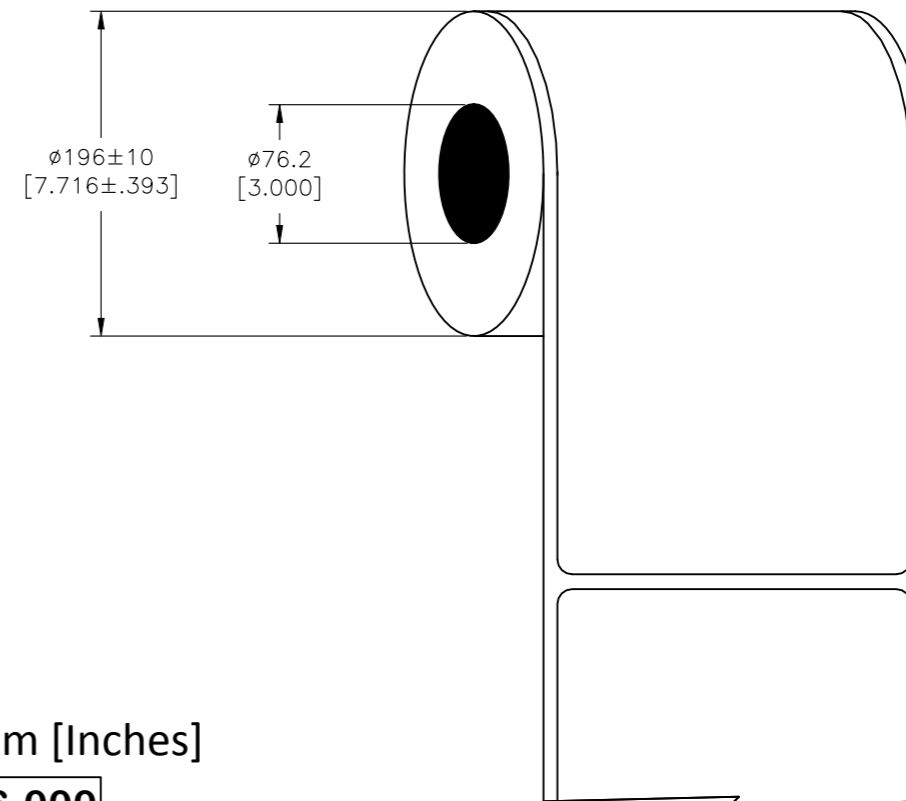


P	LTR	DESCRIPTION	DATE	DWN	APVD
	A	INITIAL RELEASE	09SEP2021	GK	DB

LABEL AND LINER DESIGN



PRESENTATION



All dimensions in mm [Inches]

TE PN: C18146-000

**OUTSIDE WOUND
LABEL ACROSS: 1
PER ROLL QTY: 1000**

MATERIAL	POLYVINYL FLUORIDE (TEDLAR®)
ADHESIVE TYPE	PERMANENT ACRYLIC
LINER	BROWN KRAFT

TOLERANCES mm [INCH]	
LABEL HEIGHT:	±0.3 [.012]
LABEL WIDTH:	±0.3 [.012]
WEB WIDTH:	±0.8 [.031]
VERTICAL REPEAT:	±0.8 [.031]*
HORIZONTAL REPEAT:	±0.8 [.031]*
PRINT POSITIONING:	±0.8 [.031]*
LEFT MARGIN:	±0.4 [.016]
QUANTITY:	-0 % +2 %
*NON ACCUMULATING	

THIS DRAWING IS A CONTROLLED DOCUMENT.	
DIMENSIONS: mm [INCHES]	TOLERANCES UNLESS OTHERWISE SPECIFIED:
	0 PLC ± -
	1 PLC ± -
	2 PLC ± -
	3 PLC ± -
	4 PLC ± -
ANGLES ± -	± -
MATERIAL SEE TABLE	FINISH -

DWN	09SEP2021
GOPALAKRISHNA HV	
CHK	09SEP2021
D.BURGAT	
APVD	09SEP2021
D.BURGAT	
PRODUCT SPEC	
TTDS-138	
APPLICATION SPEC	
-	
WEIGHT	1.326 g

TE Connectivity				NAME TEDLAR® LABEL - WHITE - 1 ACROSS 76.2mm x 127.0mm (3.0inch x 5.0inch)	
CUSTOMER DRAWING		A3	FB1U7	C-PVF-762127-1-9	-
SCALE		NTS	SHEET	1 OF 1	REV
					A