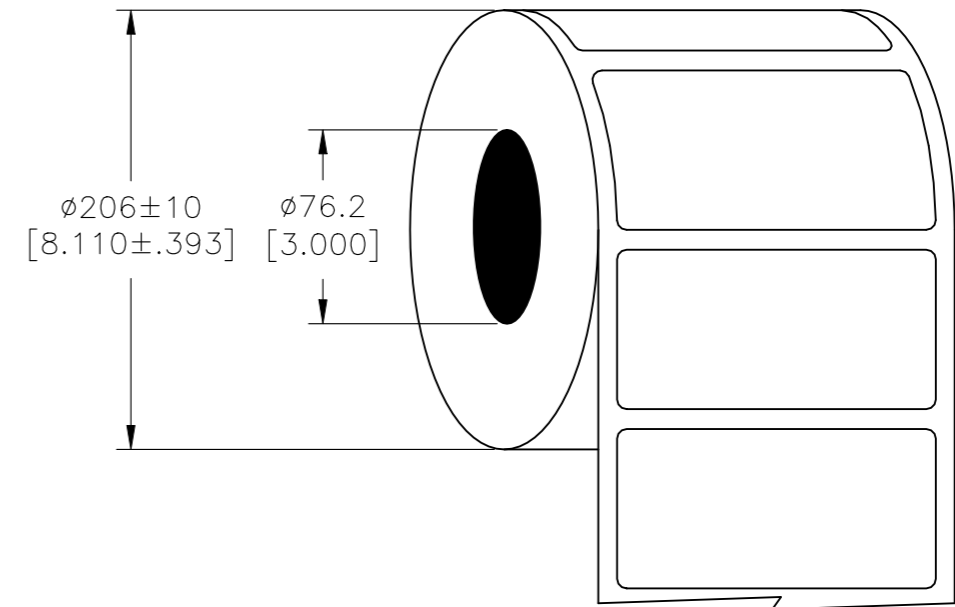
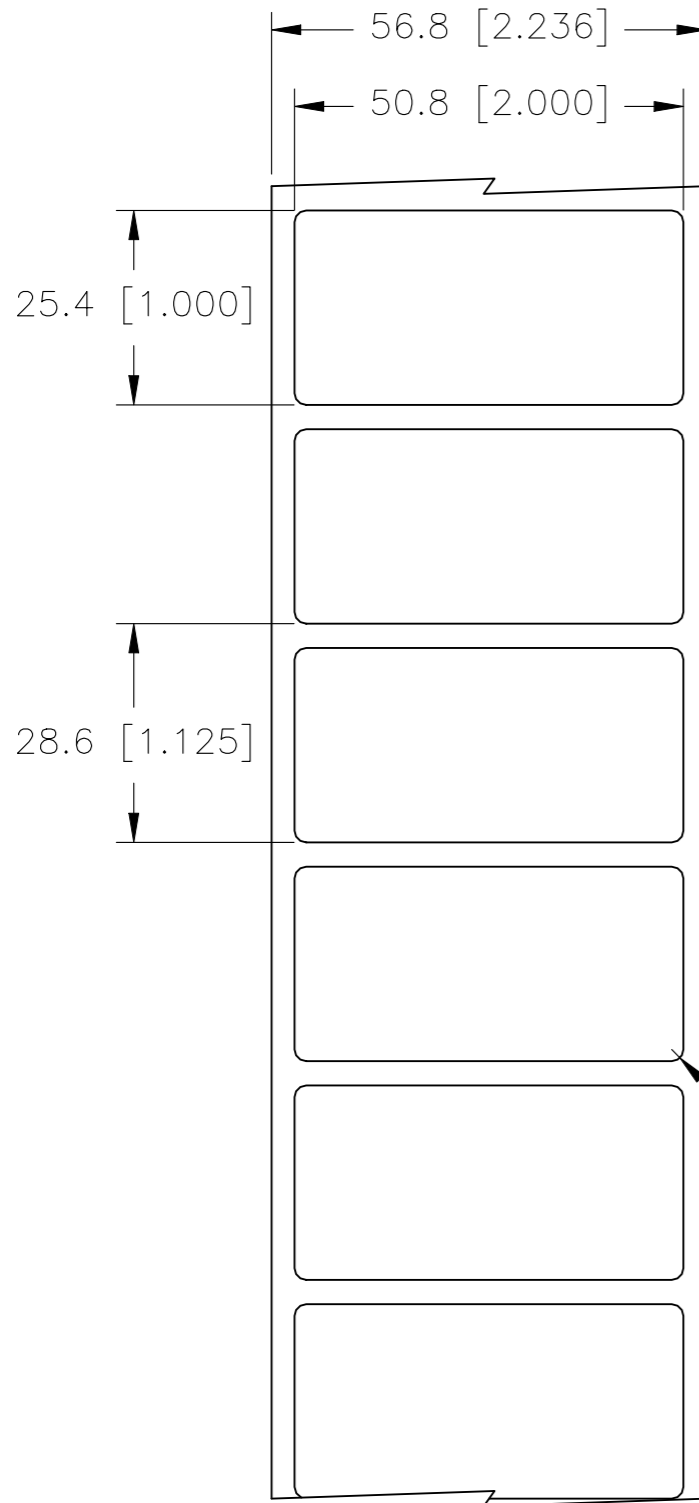


P	LTR	DESCRIPTION	DATE	DWN	APVD
	A	INITIAL RELEASE	09SEP2021	GK	DB

LABEL AND LINER DESIGN

PRESENTATION



All dimensions in mm [Inches]

TE PN: A37983-000

**OUTSIDE WOUND
LABEL ACROSS: 1
PER ROLL QTY: 5000**

MATERIAL	POLYVINYL FLUORIDE (TEDLAR®)
ADHESIVE TYPE	PERMANENT ACRYLIC
LINER	BROWN KRAFT



TEDLAR® LABEL – WHITE – 1 ACROSS
50.8mm x 25.4mm (2.0inch x 1.0inch)

TOLERANCES mm [INCH]	
LABEL HEIGHT:	±0.3 [.012]
LABEL WIDTH:	±0.3 [.012]
WEB WIDTH:	±0.8 [.031]
VERTICAL REPEAT:	±0.8 [.031]*
HORIZONTAL REPEAT:	±0.8 [.031]*
PRINT POSITIONING:	±0.8 [.031]*
LEFT MARGIN:	±0.4 [.016]
QUANTITY:	-0 % +2 %
*NON ACCUMULATING	

THIS DRAWING IS A CONTROLLED DOCUMENT.

DIMENSIONS:	TOLERANCES UNLESS OTHERWISE SPECIFIED:
mm [INCHES]	
	0 PLC ± -
	1 PLC ± -
	2 PLC ± -
	3 PLC ± -
	4 PLC ± -
ANGLES	± -
MATERIAL	FINISH
SEE TABLE	-

DWN	09SEP2021
GOPALAKRISHNA HV	
CHK	09SEP2021
D.BURGAT	
APVD	09SEP2021
D.BURGAT	
PRODUCT SPEC	
TTDS-138	
APPLICATION SPEC	
WEIGHT	0.177g
CUSTOMER DRAWING	

NAME		TEDLAR® LABEL – WHITE – 1 ACROSS 50.8mm x 25.4mm (2.0inch x 1.0inch)	
SIZE	CAGE CODE	DRAWING NO	RESTRICTED TO
A3	FB1U7	C-PVF-508254-5-9	-
SCALE	SHEET	REV	
NTS	1 OF 1	A	