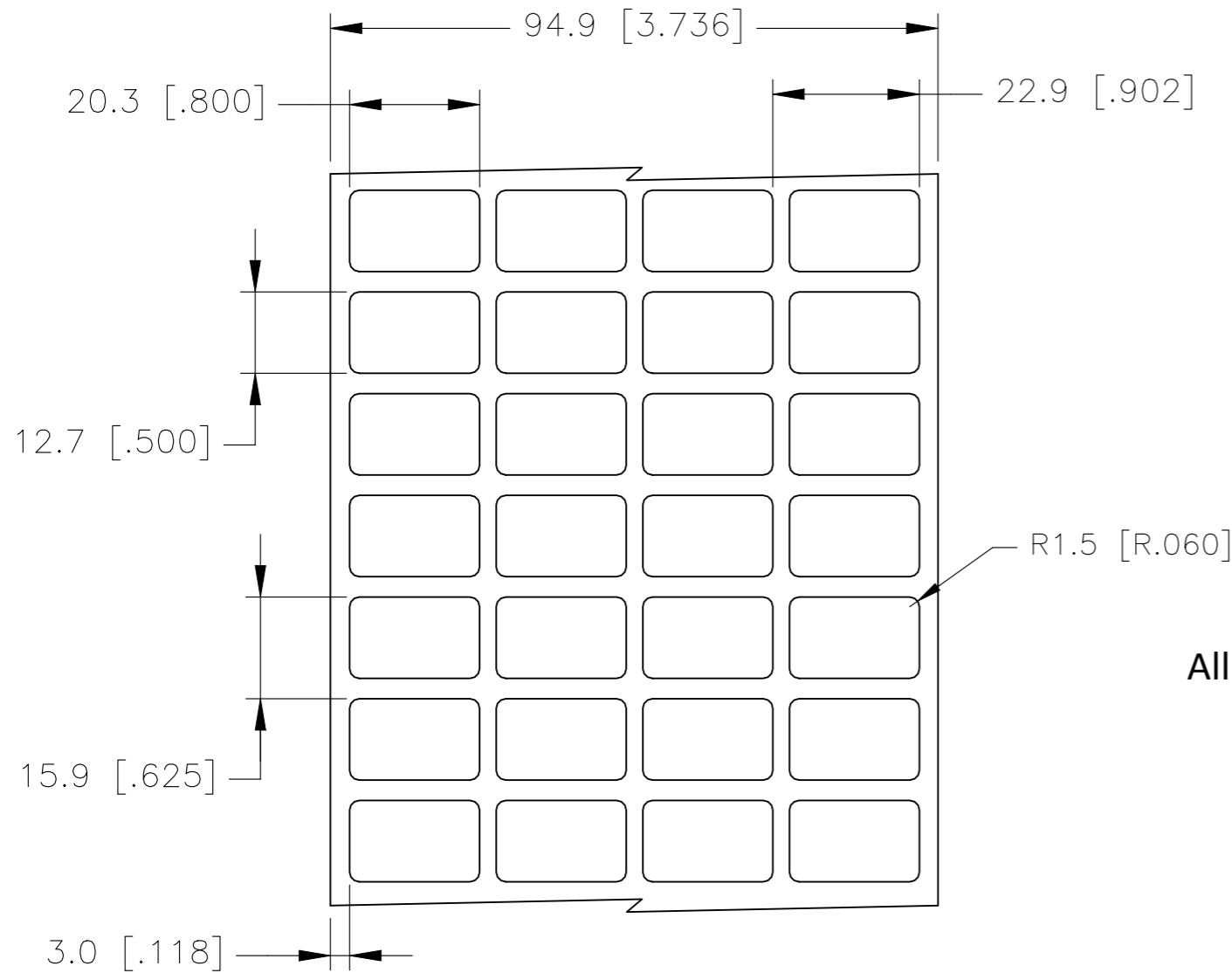
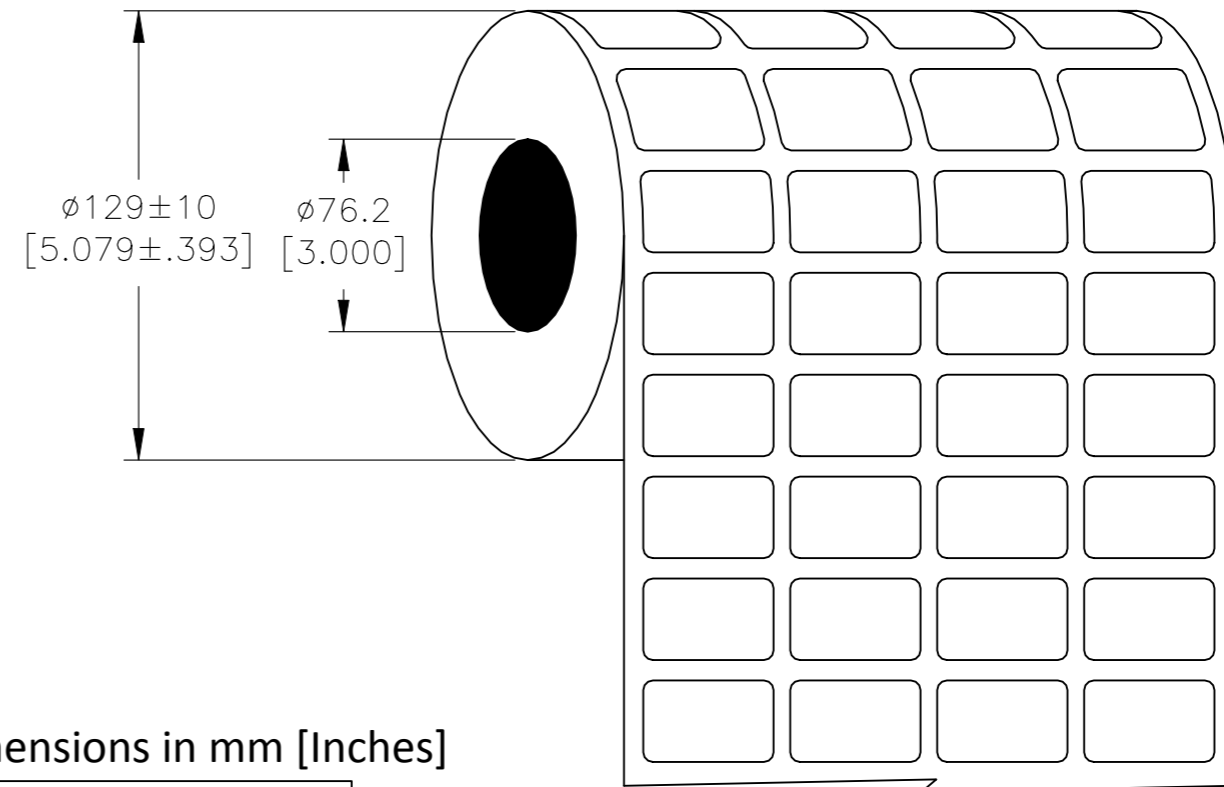


P	LTR	DESCRIPTION	DATE	DWN	APVD
	A	INITIAL RELEASE	09SEP2021	GK	DB

LABEL AND LINER DESIGN



PRESENTATION



All dimensions in mm [Inches]

TE PN: D57379-000

**OUTSIDE WOUND
LABEL ACROSS: 4
PER ROLL QTY: 10000**

MATERIAL	POLYVINYL FLUORIDE (TEDLAR®)
ADHESIVE TYPE	PERMANENT ACRYLIC
LINER	BROWN KRAFT

TOLERANCES mm [INCH]	
LABEL HEIGHT:	±0.3 [.012]
LABEL WIDTH:	±0.3 [.012]
WEB WIDTH:	±0.8 [.031]
VERTICAL REPEAT:	±0.8 [.031]*
HORIZONTAL REPEAT:	±0.8 [.031]*
PRINT POSITIONING:	±0.8 [.031]*
LEFT MARGIN:	±0.4 [.016]
QUANTITY:	-0 % +2 %
*NON ACCUMULATING	

THIS DRAWING IS A CONTROLLED DOCUMENT.

DIMENSIONS:	TOLERANCES UNLESS OTHERWISE SPECIFIED:
mm [INCHES]	
	0 PLC ± -
	1 PLC ± -
	2 PLC ± -
	3 PLC ± -
	4 PLC ± -
ANGLES	± -
FINISH	-

DWN	09SEP2021
CHK	09SEP2021
APVD	09SEP2021
PRODUCT SPEC	TTDS-138
APPLICATION SPEC	-
WEIGHT	0.035g
CUSTOMER DRAWING	

TE Connectivity			
NAME TEDLAR® LABEL - WHITE - 4 ACROSS 20.3mm x 12.7mm (0.8inch x 0.5inch)			
SIZE	CAGE CODE	DRAWING NO	RESTRICTED TO
A3	FB1U7	C-PVF-203127-10-9	-
SCALE		SHEET	REV
NTS		1 OF 1	A