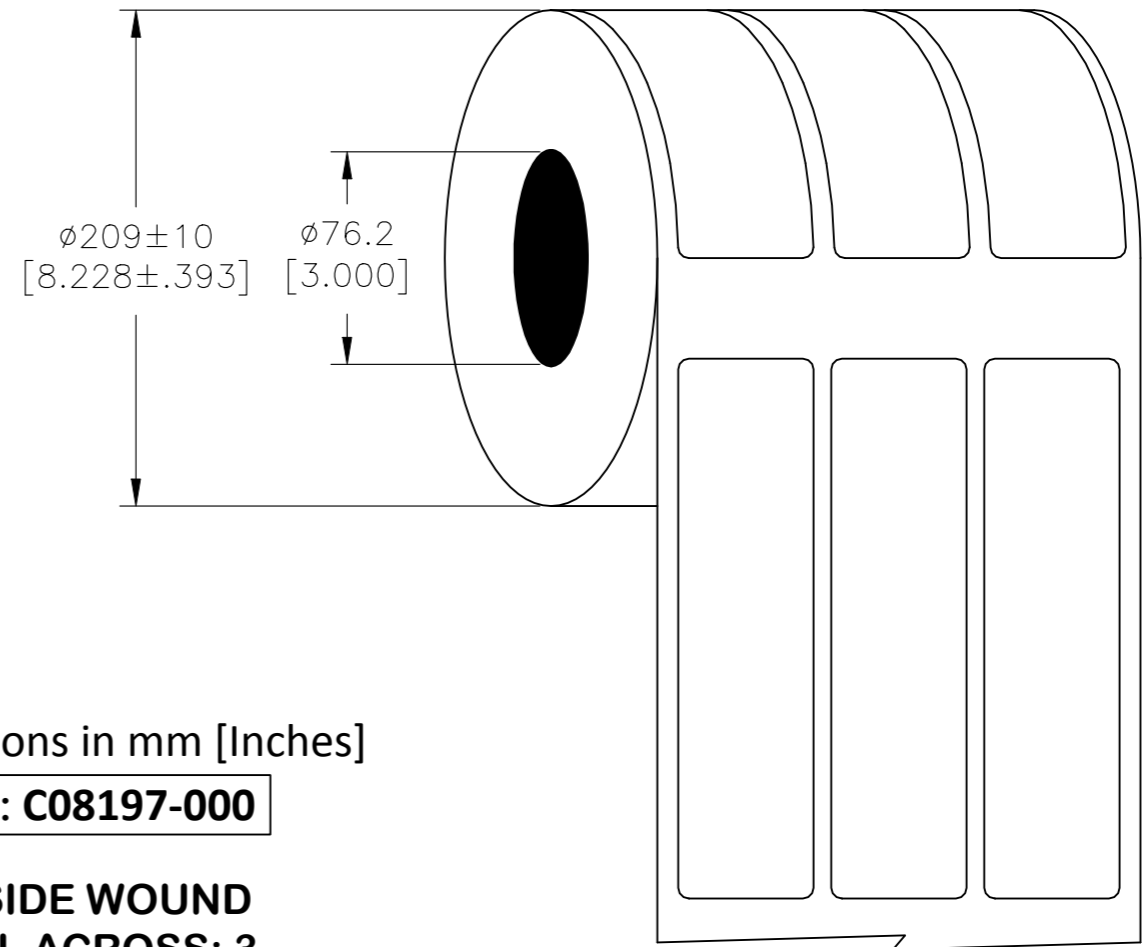
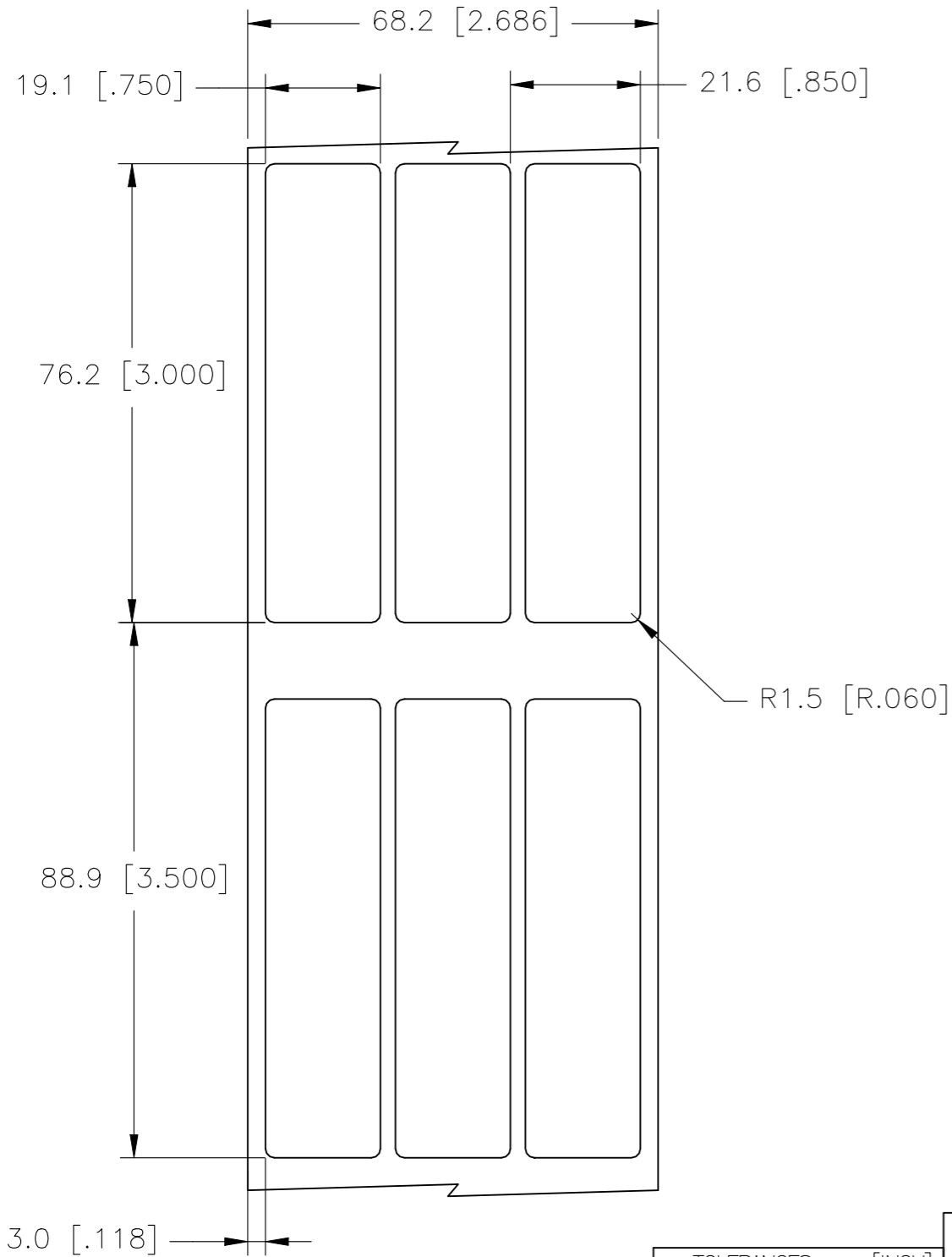


P	LTR	DESCRIPTION	DATE	DWN	APVD
	A	INITIAL RELEASE	09SEP2021	GK	DB

**LABEL AND LINER DESIGN**

**PRESENTATION**



All dimensions in mm [Inches]

**TE PN: C08197-000**

**OUTSIDE WOUND  
LABEL ACROSS: 3  
PER ROLL QTY: 5000**

<b>MATERIAL</b>	<b>POLYVINYL FLUORIDE (TEDLAR®)</b>
<b>ADHESIVE TYPE</b>	<b>PERMANENT ACRYLIC</b>
<b>LINER</b>	<b>BROWN KRAFT</b>

TOLERANCES mm [INCH]	
LABEL HEIGHT:	$\pm 0.3$ [.012]
LABEL WIDTH:	$\pm 0.3$ [.012]
WEB WIDTH:	$\pm 0.8$ [.031]
VERTICAL REPEAT:	$\pm 0.8$ [.031]*
HORIZONTAL REPEAT:	$\pm 0.8$ [.031]*
PRINT POSITIONING:	$\pm 0.8$ [.031]*
LEFT MARGIN:	$\pm 0.4$ [.016]
QUANTITY:	-0 % +2 %
*NON ACCUMULATING	

THIS DRAWING IS A CONTROLLED DOCUMENT.	
DIMENSIONS: mm [INCHES]	TOLERANCES UNLESS OTHERWISE SPECIFIED:
	0 PLC $\pm -$
	1 PLC $\pm -$
	2 PLC $\pm -$
	3 PLC $\pm -$
	4 PLC $\pm -$
MATERIAL SEE TABLE	FINISH -

DWN GOPALAKRISHNA HV 09SEP2021	TE Connectivity			
CHK D.BURGAT 09SEP2021				
APVD D.BURGAT 09SEP2021	NAME TEDLAR® LABEL - WHITE - 3 ACROSS 19.1mm x 76.2mm (0.75inch x 3.0inch)			
PRODUCT SPEC TTDS-138	SIZE A3	CAGE CODE FB1U7	DRAWING NO C-PVF-191762-5-9	RESTRICTED TO -
APPLICATION SPEC -	WEIGHT 0.199 g	SCALE NTS		SHEET 1 OF 1
CUSTOMER DRAWING		REV A		